

Service Manual



TG700 TV Signal Generator Platform

TG700 TV Signal Generator Platform
AG7 Audio Generator
AGL7 Analog Genlock Module
ATG7 Analog Test Generator
BG7 Black Generator
DVG7 Digital Video Generator
HDVG7 HDTV Digital Video Generator

070-A800-00

This volume contains the following service manuals:

- TG700 TV Signal Generator Platform Service Manual
- AG7 Audio Generator Service Manual
- AGL7 Analog Genlock Module Service Manual
- ATG7 Analog Test Generator Service Manual
- BG7 Black Generator Service Manual
- DVG7 Digital Video Generator Service Manual
- HDVG7 HDTV Digital Video Generator Service Manual

Service Manual



TG700 TV Signal Generator Platform

Copyright © Tektronix, Inc. All rights reserved.

Copyright © Sony/Tektronix Corporation. All rights reserved.

Printed in Japan.

Sony/Tektronix Corporation, 5-9-31 Kitashinagawa, Shinagawa-ku, Tokyo 141-0001 Japan

Tektronix, Inc., P.O. Box 500, Beaverton, OR 97077

TEKTRONIX and TEK are registered trademarks of Tektronix, Inc.

WARRANTY

Tektronix warrants that the products that it manufactures and sells will be free from defects in materials and workmanship for a period of one (1) year from the date of shipment. If a product proves defective during this warranty period, Tektronix, at its option, either will repair the defective product without charge for parts and labor, or will provide a replacement in exchange for the defective product.

In order to obtain service under this warranty, Customer must notify Tektronix of the defect before the expiration of the warranty period and make suitable arrangements for the performance of service. Customer shall be responsible for packaging and shipping the defective product to the service center designated by Tektronix, with shipping charges prepaid. Tektronix shall pay for the return of the product to Customer if the shipment is to a location within the country in which the Tektronix service center is located. Customer shall be responsible for paying all shipping charges, duties, taxes, and any other charges for products returned to any other locations.

This warranty shall not apply to any defect, failure or damage caused by improper use or improper or inadequate maintenance and care. Tektronix shall not be obligated to furnish service under this warranty a) to repair damage resulting from attempts by personnel other than Tektronix representatives to install, repair or service the product; b) to repair damage resulting from improper use or connection to incompatible equipment; c) to repair any damage or malfunction caused by the use of non-Tektronix supplies; or d) to service a product that has been modified or integrated with other products when the effect of such modification or integration increases the time or difficulty of servicing the product.

THIS WARRANTY IS GIVEN BY TEKTRONIX IN LIEU OF ANY OTHER WARRANTIES, EXPRESS OR IMPLIED. TEKTRONIX AND ITS VENDORS DISCLAIM ANY IMPLIED WARRANTIES OF MERCHANTABILITY OR FITNESS FOR A PARTICULAR PURPOSE. TEKTRONIX' RESPONSIBILITY TO REPAIR OR REPLACE DEFECTIVE PRODUCTS IS THE SOLE AND EXCLUSIVE REMEDY PROVIDED TO THE CUSTOMER FOR BREACH OF THIS WARRANTY. TEKTRONIX AND ITS VENDORS WILL NOT BE LIABLE FOR ANY INDIRECT, SPECIAL, INCIDENTAL, OR CONSEQUENTIAL DAMAGES IRRESPECTIVE OF WHETHER TEKTRONIX OR THE VENDOR HAS ADVANCE NOTICE OF THE POSSIBILITY OF SUCH DAMAGES.

Table of Contents

General Safety Summary	v
Service Safety Summary	vii
Preface	ix
Contacting Tektronix	xi
Introduction	xiii

Specifications

Product Overview	1-1
Specifications	1-3
Electrical Characteristics	1-3
Environmental Characteristics	1-4
Mechanical Characteristics	1-4
Certifications and Compliances	1-6

Operating Information

Installation	2-1
Supplying Operating Power	2-1
Operating Environment	2-4
Applying and Interrupting Power	2-4
Warning Message for Fan Failure	2-5
Repackaging Instructions	2-5
Installed Options	2-6
Using the Menu Displays	2-7
Mainframe Main Menu	2-7
Module Installation	2-15
Preventing Component Damage	2-15
Installing a Module	2-16
Removing a Module	2-18

Theory of Operation

Theory of Operation	3-1
A10 Main Board	3-1
Power Supply Module	3-2

Performance Verification

Performance Verification	4-1
Preparation for Performance Verification	4-1
Equipment Required	4-1
Calibration Data Report	4-2
Performance Verification Procedures	4-3

Adjustment Procedures

Adjustment Procedures	5-1
Requirement for Adjustment	5-1
Equipment Required	5-1
Master Clock Frequency Adjustment	5-2

Maintenance

Maintenance	6-1
Related Maintenance Procedures	6-1
Preparation	6-2
Inspection and Cleaning	6-4
Removal and Installation Procedures	6-9
Preparation	6-9
Access Procedure	6-14
Procedures for External Modules	6-15
Procedure for Internal Modules	6-20
Troubleshooting	6-25
Diagnostics	6-25
Troubleshooting Trees	6-26

Options

Options	7-1
Option FP Description	7-1
Option D1 Description	7-1

Electrical Parts List

Electrical Parts List	8-1
------------------------------------	------------

Diagrams

Diagrams	9-1
-----------------------	------------

Mechanical Parts List

Mechanical Parts List	10-1
Parts Ordering Information	10-1
Using the Replaceable Parts List	10-2

List of Figures

Figure 1-1: TG700 dimensions	1-5
Figure 2-1: Mainframe main menu	2-7
Figure 2-2: PRESET submenu	2-8
Figure 2-3: SEQUENCE submenu	2-8
Figure 2-4: FRAME RESET STATUS submenu	2-9
Figure 2-5: UTILITY submenu	2-10
Figure 2-6: SIGNAL KEY ASSIGN submenu	2-11
Figure 2-7: NETWORK INFORMATION submenu	2-11
Figure 2-8: NETWORK SETUP submenu	2-12
Figure 2-9: DIAGNOSTICS submenu	2-13
Figure 2-10: TG700 slot numbering	2-16
Figure 2-11: Removing the blank panel	2-17
Figure 2-12: Installing the module	2-17
Figure 2-13: Securing the module	2-18
Figure 2-14: Removing the module	2-19
Figure 4-1: Equipment connection for verifying subcarrier frequency	4-3
Figure 5-1: Equipment connection for adjusting master clock frequency	5-2
Figure 6-1: TG700 orientation	6-11
Figure 6-2: External modules	6-12
Figure 6-3: Internal modules	6-13
Figure 6-4: Guide to removal procedures	6-14
Figure 6-5: Top cover removal	6-16
Figure 6-6: Front-panel unit removal	6-18
Figure 6-7: Disassembly of front-panel assembly	6-19
Figure 6-8: A10 Main board removal	6-21
Figure 6-9: A40 LAN board, fan, and RFI filter removal	6-23
Figure 6-10: Troubleshooting procedure (1)	6-26
Figure 6-11: Troubleshooting procedure (2)	6-27
Figure 6-13: A10 Main board (view from top)	6-28
Figure 9-1: TG700 block diagram	9-2
Figure 9-2: TG700 Interconnect diagram	9-3
Figure 10-1: Main chassis	10-5
Figure 10-2: Main frame	10-7

Figure 10-3: Front panel unit	10-9
Figure 10-4: Power supply module	10-11
Figure 10-5: Blank panel	10-12

List of Tables

Table 1-1: Electrical characteristics	1-3
Table 1-2: Environmental characteristics	1-4
Table 1-3: Mechanical characteristics	1-4
Table 1-4: Certifications and compliances	1-6
Table 2-1: Power-cord conductor identification	2-2
Table 2-2: Power cord identification	2-3
Table 2-3: Module slot assignments	2-16
Table 4-1: Equipment required for Performance Verification	4-1
Table 4-2: TG700 Calibration Data Report	4-2
Table 5-1: Equipment required	5-1
Table 6-1: Relative susceptibility to static-discharge damage	6-3
Table 6-2: External inspection check list	6-4
Table 6-3: Internal inspection check list	6-6
Table 6-4: Summary of procedures	6-10
Table 6-5: Tools required for module removal	6-10

General Safety Summary

Review the following safety precautions to avoid injury and prevent damage to this product or any products connected to it. To avoid potential hazards, use this product only as specified.

Only qualified personnel should perform service procedures.

To Avoid Fire or Personal Injury

Use Proper Power Cord. Use only the power cord specified for this product and certified for the country of use.

Ground the Product. This product is grounded through the grounding conductor of the power cord. To avoid electric shock, the grounding conductor must be connected to earth ground. Before making connections to the input or output terminals of the product, ensure that the product is properly grounded.

Observe All Terminal Ratings. To avoid fire or shock hazard, observe all ratings and markings on the product. Consult the product manual for further ratings information before making connections to the product.

Do Not Operate Without Covers. Do not operate this product with covers or panels removed.

Avoid Exposed Circuitry. Do not touch exposed connections and components when power is present.

Do Not Operate With Suspected Failures. If you suspect there is damage to this product, have it inspected by qualified service personnel.

Do Not Operate in Wet/Damp Conditions.

Do Not Operate in an Explosive Atmosphere.

Keep Product Surfaces Clean and Dry.

Provide Proper Ventilation. Refer to the manual's installation instructions for details on installing the product so it has proper ventilation.

No Power Switch. The power supply cord is considered the disconnecting device; disconnect the main power by means of the power cord.

Symbols and Terms

Terms in this Manual. These terms may appear in this manual:



WARNING. Warning statements identify conditions or practices that could result in injury or loss of life.



CAUTION. *Caution statements identify conditions or practices that could result in damage to this product or other property.*

Terms on the Product. These terms may appear on the product:

DANGER indicates an injury hazard immediately accessible as you read the marking.

WARNING indicates an injury hazard not immediately accessible as you read the marking.

CAUTION indicates a hazard to property including the product.

Symbols on the Product. The following symbols may appear on the product:



Service Safety Summary

Only qualified personnel should perform service procedures. Read this *Service Safety Summary* and the *General Safety Summary* before performing any service procedures.

Do Not Service Alone. Do not perform internal service or adjustments of this product unless another person capable of rendering first aid and resuscitation is present.

Disconnect Power. To avoid electric shock, disconnect the mains power by means of the power cord or, if provided, the power switch.

Use Care When Servicing With Power On. Dangerous voltages or currents may exist in this product. Disconnect power, remove battery (if applicable), and disconnect test leads before removing protective panels, soldering, or replacing components.

To avoid electric shock, do not touch exposed connections.

Preface

This is the service manual for the TG700 TV Signal Generator Platform. This manual contains information needed to service a TG700 to the module level.

Manual Structure

This manual is divided into sections, such as *Specifications* and *Theory of Operation*. Further, some sections are divided into subsections, such as *Product Description* and *Removal and Installation Procedures*.

Sections containing procedures also contain introductions to those procedures. Be sure to read these introductions because they provide information needed to do the service correctly and efficiently. The following are brief descriptions of each manual section.

- *Specifications* contains a description of the TG700 and the characteristics that apply to it.
- *Operating Information* includes installation and basic operating information.
- *Theory of Operation* contains circuit descriptions that support service to the module level.
- *Performance Verification* contains procedures for confirming that a TG700 functions properly and meets warranted characteristics.
- *Adjustment Procedures* contains procedures for adjusting a TG700 to meet warranted characteristics.
- *Maintenance* contains information and procedures for performing preventive and corrective maintenance for a TG700. These instructions include cleaning, module removal and installation, and fault isolation to the module level.
- *Options* contains a description of available options for the TG700.
- *Electrical Parts List* contains a statement referring you to the *Mechanical Parts List* section, where both the electrical and mechanical modules are listed.
- *Diagrams* contains a block diagram and an interconnect diagram.
- *Mechanical Parts List* includes a table of all replaceable modules, their descriptions, and their Tektronix part numbers.

Manual Conventions

This manual uses certain conventions that you should become familiar with.

Some sections of the manual contain procedures for you to perform. To keep those instructions clear and consistent, this manual uses the following conventions:

- Names of front panel controls and menus appear in the same case (initial capitals, all uppercase, etc.) in the manual as is used on the TG700 front panel and menus.
- Instruction steps are numbered unless there is only one step.
- **Bold** text refers to specific interface elements that you are instructed to select, click, or clear.

Example: Press the **ENTER** button to access the PRESET submenu.

- *Italic* text refers to document names or sections. Italics are also used in NOTES, CAUTIONS, and WARNINGS.

Example: The *Diagrams* section, beginning on page 9-1, includes a block diagram and an interconnect diagram.

Modules Throughout this manual, any replaceable component, assembly, or part of the TG700 is referred to generically as a module. In general, a module is an assembly (like a circuit board), rather than a component (like a resistor or an integrated circuit). Sometimes a single component is a module. For example, the chassis of the TG700 is a module.

Safety Symbols and terms related to safety appear in the *Safety Summary* near the beginning of this manual.

Finding Other Information

Other documentation for the TG700 includes:

- The *TG700 TV Signal Generator Platform User Manual* (Tektronix part number 070-A799-XX) contains a tutorial to quickly describe how to operate the TG700. It also includes an in-depth discussion on how to more completely use the TG700 features.

Contacting Tektronix

Phone	1-800-833-9200*
Address	Tektronix, Inc. Department or name (if known) 14200 SW Karl Braun Drive P.O. Box 500 Beaverton, OR 97077 USA
Web site	www.tektronix.com
Sales support	1-800-833-9200, select option 1*
Service support	1-800-833-9200, select option 2*
Technical support	Email: techsupport@tektronix.com 1-800-833-9200, select option 3* 1-503-627-2400 6:00 a.m. – 5:00 p.m. Pacific time

- * **This phone number is toll free in North America. After office hours, please leave a voice mail message. Outside North America, contact a Tektronix sales office or distributor; see the Tektronix web site for a list of offices.**

Introduction

This manual contains information needed to properly service the TG700 TV Signal Generator Platform, as well as general information critical to safe and effective servicing.

To prevent personal injury or damage to the TG700, consider the following before attempting service:

- The procedures in this manual should be performed only by a qualified service person.
- Read the *General Safety Summary* and the *Service Safety Summary*, beginning on page v.r
- Read *Installation* in section 2, *Operating Information*.

When using this manual for servicing be sure to follow all warnings, cautions, and notes.

Performance Check Interval

Generally, the performance check described in section 4, *Performance Verification*, should be done every 12 months. In addition, a performance check is recommended after module replacement.

If the TG700 does not meet performance criteria, repair is necessary.

Strategy for Servicing

Throughout this manual, the term “module” refers to any field-replaceable component, assembly, or part of the TG700.

This manual contains all the information needed for periodic maintenance of the TG700 (Examples of such information are procedures for checking performance).

Further, it contains all information for corrective maintenance down to the module level. To isolate a failure to a module, use the fault isolation procedures found in *Troubleshooting*, part of section 6, *Maintenance*. To remove and replace any failed module, follow the instructions in *Removal and Installation Procedures*, also part of section 6. After isolating a faulty module, replace it with a fully-tested module obtained from the factory. Section 10, *Mechanical Parts List*, contains part number and ordering information for all replaceable modules.

Tektronix Service Offerings

Tektronix provides service to cover repair under warranty as well as other services that may provide a cost-effective answer to your service needs.

Whether providing warranty repair service or any of the other services listed below, Tektronix service technicians are well trained to service the TG700. They have access to the latest information on improvements to the TG700 as well as the latest new options.

Warranty Repair Service

Tektronix warrants this product for one year from date of purchase. The warranty appears after the title page in this manual. Tektronix technicians provide warranty service at most Tektronix service locations. The Tektronix product catalog lists all worldwide service locations or you can visit our web site for service information: www.tektronix.com.

Self Service

Tektronix supports repair to the module level by providing Module Exchange.

Module Exchange. This service reduces down-time for repair by allowing you to exchange most modules for remanufactured ones. Each module comes with a 90-day service warranty.

For More Information. Contact your local Tektronix service center or sales engineer for more information on any of the repair or adjustment services just described.



Specifications

Product Overview

The TG700 TV Signal Generator Platform is a multiformat TV signal generator platform supporting both analog and digital video standards. The TG700 consists of a mainframe and up to four plug-in modules. The modules are either signal generators or they provide special functions, such as genlock capability.

Key Features

The TG700 and the available modules provide the following features:

- Simultaneous generation of HDTV/SDTV multi format synchronized signal and test signal
- Modular architecture with up to four generators or special function modules
- Analog genlock function dealing with NTSC or PAL black burst signal, HDTV trilevel sync signal, and CW signals (AGL7).
- Independent setting of amplitudes, frequencies, and audio clicks of 16 channel embedded audio signal (DVG7 and HDVG7)
- Circle, logo, and text overlays on test signals (DVG7 and HDVG7)
- Moving picture generation function by scrolling the active area of the signal (DVG7 and HDVG7)
- Reference generator performance level
- Ethernet interface for remote control and downloading various files such as signal files, logo files, and preset files

A signal library and various application software are included in the attachment CD-ROM to execute the following operations:

- Upload and download files such as signal files, logo files, and preset files
- Download the signals from the signal library to the TG700
- Create a logo (logo file) to be inserted into the test signal
- Create a frame picture file using the generation of a picture or test pattern

Specifications

Tables 1-1 through 1-3 list the electrical, environmental, and mechanical characteristics of the TG700 mainframe. For the specifications of a specific generator module or other module, refer to the module User manual. Table 1-4 lists the certification and compliances.

The performance requirements listed in the electrical characteristics portion of these specifications apply over an ambient temperature range of 0° C to +50° C. The rated accuracies are valid when the instrument is calibrated at an ambient temperature range of +20° C to +30° C, after a warm-up time of 20 minutes.

Electrical Characteristics

Table 1-1: Electrical characteristics

Characteristic	Performance requirements	Reference information
The number of modules that can be installed	Maximum 4	Only a limited number of some modules can be installed in a TG700 mainframe: AGL7 Maximum 1 HDVG7 Maximum 2
Clock Stability	< 1 ppm/year	
AC power source		
Rating voltage		100 V to 240 VAC
Voltage range		85 V to 250 VAC
Frequency range		48 Hz to 63 Hz
Maximum power		100 W
Maximum current		1.2 A
Heat Dissipation		
Maximum power		100 W maximum. Maximum line current is 1.2 A rms at 50 Hz
Surge current		≤ 40 A peak for equal or less than 5 line cycles, after the instrument has been turned off for at least 30 seconds.

Environmental Characteristics

Table 1-2: Environmental characteristics

Characteristic	Description
Temperature	
Operating	0° C to +50° C
Nonoperating	-20° C to +60° C
Relative Humidity	
Operating	20% to 80% (No condensation) Maximum wet-bulb temperature 29.4° C
Nonoperating	5% to 90% (No condensation) Maximum wet-bulb temperature 40.0° C
Altitude	
Operating	To 4.5 km (15,000 feet) Maximum operating temperature decreases 1° C each 300 m above 1.5 km.
Nonoperating	To 15 km (50,000 feet)
Vibration	
Operating	2.65 m/s ² (0.27 G _{rms}), 5 to 500 Hz, 10 min, three axes
Nonoperating	22.3 m/s ² (2.28 G _{rms}), 5 to 500 Hz, 10 min, three axes
Shock	
Nonoperating	294 m/s ² (30 G), half-sine, 11 ms duration
Clearance	
Side	5 cm
Rear	5 cm

Mechanical Characteristics

Table 1-3: Mechanical characteristics

Characteristic	Description
Dimensions	
Height	44 mm
Width	438 mm
Depth	559 mm
Weight ¹	
Net	Approximately 5.5 kg (mainframe only, without rack rail)

¹ Total weight of the TG700 will vary depending on the number and type of modules installed.

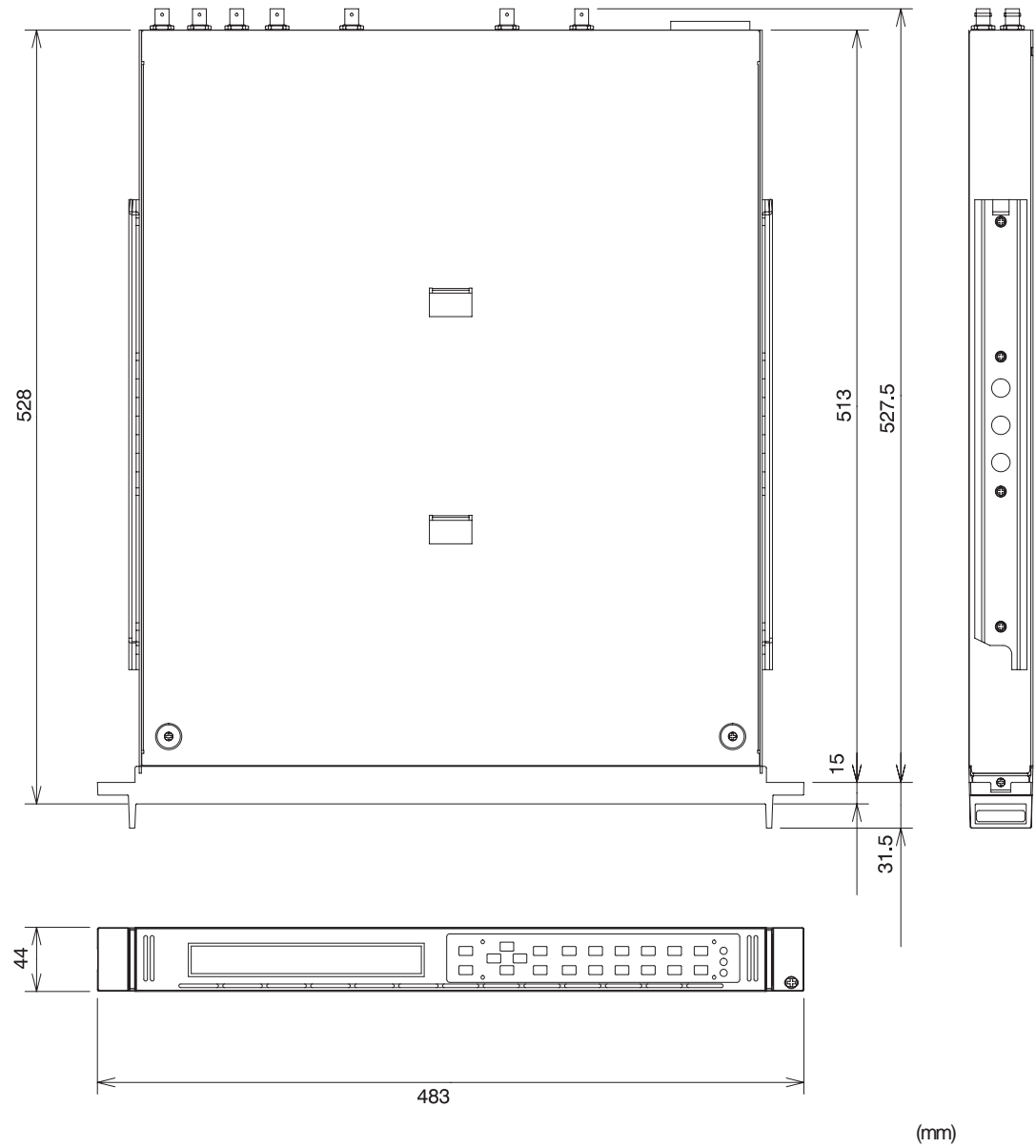


Figure 1-1: TG700 dimensions

Certifications and Compliances

Table 1-4: Certifications and compliances

Category	Standard or description																										
EC Declaration of Conformity – EMC	<p>Meets the intent of Directive 89/336/EEC for Electromagnetic Compatibility. Compliance was demonstrated to the following specifications as listed in the Official Journal of the European Communities:</p> <p>EN 55103-1 Emissions:</p> <table> <tr> <td>EN 55022 Class B</td> <td>Radiated and Conducted Emissions</td> </tr> <tr> <td>EN 55103-1 Annex A</td> <td>Magnetic Field Emissions</td> </tr> <tr> <td>EN 55103-1 Annex B</td> <td>Power Line Inrush Current</td> </tr> <tr> <td>EN 61000-3-2</td> <td>AC Power Line Harmonic Current Emissions</td> </tr> <tr> <td>EN 61000-3-3</td> <td>Line Voltage Alteration and Flicker</td> </tr> </table> <p>EN 55103-2 Immunity:</p> <table> <tr> <td>EN 61000-4-2</td> <td>Electrostatic Discharge Immunity</td> </tr> <tr> <td>EN 61000-4-3</td> <td>RF Electromagnetic Field Amplitude Modulated</td> </tr> <tr> <td>EN 61000-4-4</td> <td>Electrical Fast Transient/Burst Immunity</td> </tr> <tr> <td>EN 61000-4-5</td> <td>AC Mains Surge Immunity</td> </tr> <tr> <td>EN 61000-4-6</td> <td>Conducted RF Immunity</td> </tr> <tr> <td>EN 61000-4-8</td> <td>Power Frequency Electromagnetic Field Immunity</td> </tr> <tr> <td>EN 61000-4-11</td> <td>Mains Voltage Dip & Interruption Immunity</td> </tr> <tr> <td>EN 55103-2 Annex A</td> <td>Magnetic Field Immunity</td> </tr> </table> <p>High-quality shielded cables must be used to ensure compliance to the above listed standards.</p>	EN 55022 Class B	Radiated and Conducted Emissions	EN 55103-1 Annex A	Magnetic Field Emissions	EN 55103-1 Annex B	Power Line Inrush Current	EN 61000-3-2	AC Power Line Harmonic Current Emissions	EN 61000-3-3	Line Voltage Alteration and Flicker	EN 61000-4-2	Electrostatic Discharge Immunity	EN 61000-4-3	RF Electromagnetic Field Amplitude Modulated	EN 61000-4-4	Electrical Fast Transient/Burst Immunity	EN 61000-4-5	AC Mains Surge Immunity	EN 61000-4-6	Conducted RF Immunity	EN 61000-4-8	Power Frequency Electromagnetic Field Immunity	EN 61000-4-11	Mains Voltage Dip & Interruption Immunity	EN 55103-2 Annex A	Magnetic Field Immunity
EN 55022 Class B	Radiated and Conducted Emissions																										
EN 55103-1 Annex A	Magnetic Field Emissions																										
EN 55103-1 Annex B	Power Line Inrush Current																										
EN 61000-3-2	AC Power Line Harmonic Current Emissions																										
EN 61000-3-3	Line Voltage Alteration and Flicker																										
EN 61000-4-2	Electrostatic Discharge Immunity																										
EN 61000-4-3	RF Electromagnetic Field Amplitude Modulated																										
EN 61000-4-4	Electrical Fast Transient/Burst Immunity																										
EN 61000-4-5	AC Mains Surge Immunity																										
EN 61000-4-6	Conducted RF Immunity																										
EN 61000-4-8	Power Frequency Electromagnetic Field Immunity																										
EN 61000-4-11	Mains Voltage Dip & Interruption Immunity																										
EN 55103-2 Annex A	Magnetic Field Immunity																										
Australia/New Zealand Declaration of Conformity – EMC	<p>Complies with EMC provision of Radiocommunications Act per the following standard(s):</p> <table> <tr> <td>AS/NZS 3548</td> <td>Industrial, Scientific, and Medical Equipment: 1992</td> </tr> </table>	AS/NZS 3548	Industrial, Scientific, and Medical Equipment: 1992																								
AS/NZS 3548	Industrial, Scientific, and Medical Equipment: 1992																										
FCC Compliance	Emissions comply with FCC Code of Federal Regulations 47, Part 15, Subpart B, Class A Limits.																										
EC declaration of conformity– Low voltage	<p>Compliance was demonstrated to the following specification as listed in the Official Journal of the European Union:</p> <p>Low Voltage Directive 73/23/EEC, amended by 93/69/EEC</p> <table> <tr> <td>EN 61010-1/A2:1995</td> <td>Safety requirements for electrical equipment for measurement control and laboratory use.</td> </tr> </table>	EN 61010-1/A2:1995	Safety requirements for electrical equipment for measurement control and laboratory use.																								
EN 61010-1/A2:1995	Safety requirements for electrical equipment for measurement control and laboratory use.																										
U.S. nationally recognized testing laboratory listing	<table> <tr> <td>UL 3111-1</td> <td>Standard for electrical measuring and test equipment.</td> </tr> </table>	UL 3111-1	Standard for electrical measuring and test equipment.																								
UL 3111-1	Standard for electrical measuring and test equipment.																										
Canadian certification	<table> <tr> <td>CAN/CSA C22.2 No.1010.1</td> <td>CSA safety requirements for electrical and electronic measuring and test equipment.</td> </tr> </table>	CAN/CSA C22.2 No.1010.1	CSA safety requirements for electrical and electronic measuring and test equipment.																								
CAN/CSA C22.2 No.1010.1	CSA safety requirements for electrical and electronic measuring and test equipment.																										

Table 1-4: Certifications and compliances (cont.)

Category	Standard or description
Installation (Overvoltage) Category	<p>Terminals on this product may have different installation (overvoltage) category designations. The installation categories are:</p> <p>CAT III Distribution-level mains (usually permanently connected). Equipment at this level is typically in a fixed industrial location.</p> <p>CAT II Local-level mains (wall sockets). Equipment at this level includes appliances, portable tools, and similar products. Equipment is usually cord-connected.</p> <p>CAT I Secondary (signal level) or battery operated circuits of electronic equipment.</p>
Pollution Degree	<p>A measure of the contaminants that could occur in the environment around and within a product. Typically the internal environment inside a product is considered to be the same as the external. Products should be used only in the environment for which they are rated.</p> <p>Pollution Degree 2 Normally only dry, nonconductive pollution occurs. Occasionally a temporary conductivity that is caused by condensation must be expected. This location is a typical office/home environment. Temporary condensation occurs only when the product is out of service.</p>
IEC Characteristics	<p>Equipment type:</p> <p>Test and Measuring Installation Category II (as defined in IEC 61010-1, Annex J) Pollution Degree 2 (as defined IEC 61010-1) Safety Class I (as defined in IEC 61010-1, Annex H)–grounded product</p>



Operating Information

Installation

This section provides the following information to set up your TG700:

- Supplying Operating Power
- Operating Environment
- Applying and Interrupting Power
- Warning Message for Fan Failure
- Repackaging Instructions

Supplying Operating Power

NOTE. Read all information and heed all warnings in this subsection before connecting the TG700 to a power source.



WARNING. AC POWER SOURCE AND CONNECTION. The TG700 operates from a single-phase power source. It has a three-wire power cord and two-pole, three-terminal grounding type plug. The voltage to ground (earth) from either pole of the power source must not exceed the maximum rated operating voltage, 250 volts.

Before making connection to the power source, be sure the TG700 has a suitable two-pole, three-terminal grounding-type plug.

GROUNDING. This instrument is safety Class 1 equipment (IEC designation). All accessible conductive parts are directly connected through the grounding conductor of the power cord to the grounded (earthing) contact of the power plug.



WARNING. *The power input plug must be inserted only in a mating receptacle with a grounding contact where earth ground has been verified by a qualified service person. Do not defeat the grounding connection. Any interruption of the grounding connection can create an electric shock hazard.*

For electric shock protection, the grounding connection must be made before making connection to the instrument's input or output terminals.

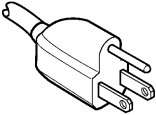
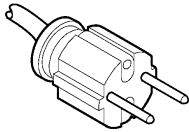
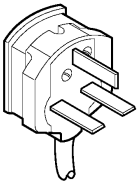
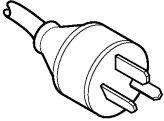
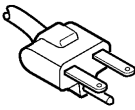
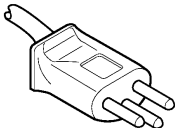
Power Cord Information

A power cord with the appropriate plug configuration is supplied with each TG700. Table 2-1 gives the color-coding of the conductors in the power cord. If you require a power cord other than the one supplied, refer to Table 2-2, Power cord identification.

Table 2-1: Power-cord conductor identification

Conductor	Color	Alternate color
Ungrounded (Line)	Brown	Black
Grounded (Neutral)	Light Blue	White
Grounded (Earthing)	Green/Yellow	Green

Table 2-2: Power cord identification

Plug configuration	Normal usage	Option number
	North America 125 V	Standard
	Europe 230 V	A1
	United Kingdom 230 V	A2
	Australia 230 V	A3
	North America 230 V	A4
	Switzerland 230 V	A5

Operating Voltage

This TG700 operates with any line voltage from 100–240 VAC_{RMS} with any line frequency from 48–63 Hz. Before plugging the cord into the outlet, be sure that the line voltage is in the proper range.

Operating Environment

The following environmental requirements are provided to ensure proper operation and long instrument life.

Operating Temperature

Operate the TG700 where the ambient air temperature is from 0° C to +50° C. Store the TG700 in ambient temperatures from –20° C to +60° C. After storage at temperatures outside the operating limits, allow the chassis to stabilize at a safe operating temperature before applying power.

Ventilation Requirements

Leave space for cooling by ensuring standard side clearance for rack mounting or 2 inches (5.1 cm) of side clearance for counter top use. Also, ensure sufficient rear clearance (approximately 2 inches) so that cables are not damaged by sharp bends.

Applying and Interrupting Power

Consider the following information when you power on or power off the TG700, or when external power loss occurs.

Connect Power Cable

Connect the power cable to the instrument first, and then connect it to the AC power source. Note that connecting the power cable causes the instrument to power on. Refer to Table 2-2 for power cord identification.



CAUTION. *The instrument does not have a power switch. When you connect the power cable to the AC line connector, the instrument powers on.*

After connecting the power, make sure that the fan on the rear panel is working. If the fan is not working, turn off the power by disconnecting the power cable from the AC power source and contact your local Tektronix Field Office or representative.

Power Off

To power off the TG700, disconnect the power cable from the AC power source.

Warning Message for Fan Failure



CAUTION. *If the fan on the rear panel stops working, disconnect the power cable from the AC power source. Internal components could be damaged.*

The TG700 displays the following warning message if the fan on the rear panel stop working:

* FAN FAULT ALARM *
* Main Cooling Fan Serious Problem *

If this warning message appears, disconnect the power cable from the AC voltage line and contact your local Tektronix Field Office or representative.

While the message is displayed, the front panel-buttons are disabled. However, you can operate the buttons temporarily by pressing the FRONT PANEL ENABLE button on the front panel until the indicator next to the button lights. In this case, the warning message reappears and the front-panel buttons are disabled when five minutes have passed since the last operation.

Repackaging Instructions

If you ship the TG700, pack it in the original shipping carton and packing material. If the original packing material is not available, package the instrument as follows:

1. Obtain a corrugated cardboard shipping carton with inside dimensions at least 15 cm (6 inches) taller, wider, and deeper than the instrument. The shipping carton must be constructed of cardboard with 170 kg (375 pound) test strength.
2. If you are shipping the instrument to a Tektronix field office for repair, attach a tag to the instrument showing the instrument owner and address, the name of the person to contact about the instrument, the instrument type, and the serial number.
3. Wrap the instrument with polyethylene sheeting or equivalent material to protect the finish.
4. Cushion the instrument in the shipping carton by tightly packing dunnage or urethane foam on all sides between the carton and the TG700. Allow 7.5 cm (3 in) on all sides, top, and bottom.
5. Seal the shipping carton with shipping tape or an industrial stapler.

Installed Options

Your instrument may be equipped with one or more instrument options. Except for the line-cord options described by Table 2-2 on page 2-3, all options and optional accessories are listed and described in Section 7, *Options*. For further information and prices of instrument options, see your Tektronix Products catalog or contact your Tektronix Field Office.

Using the Menu Displays

This section provides an overview of the mainframe main menu and submenus.

Mainframe Main Menu

When you power on the TG700 and the initializing process for all of the installed module is completed, the top menu item of the mainframe main menu appears on the LCD display. Press the up (▲) or down (▼) arrow button to scroll through the available menu selections in the main menu.

The mainframe main menu allow you to access submenus to set the various system settings. Figure 2-1 shows the mainframe main menu.

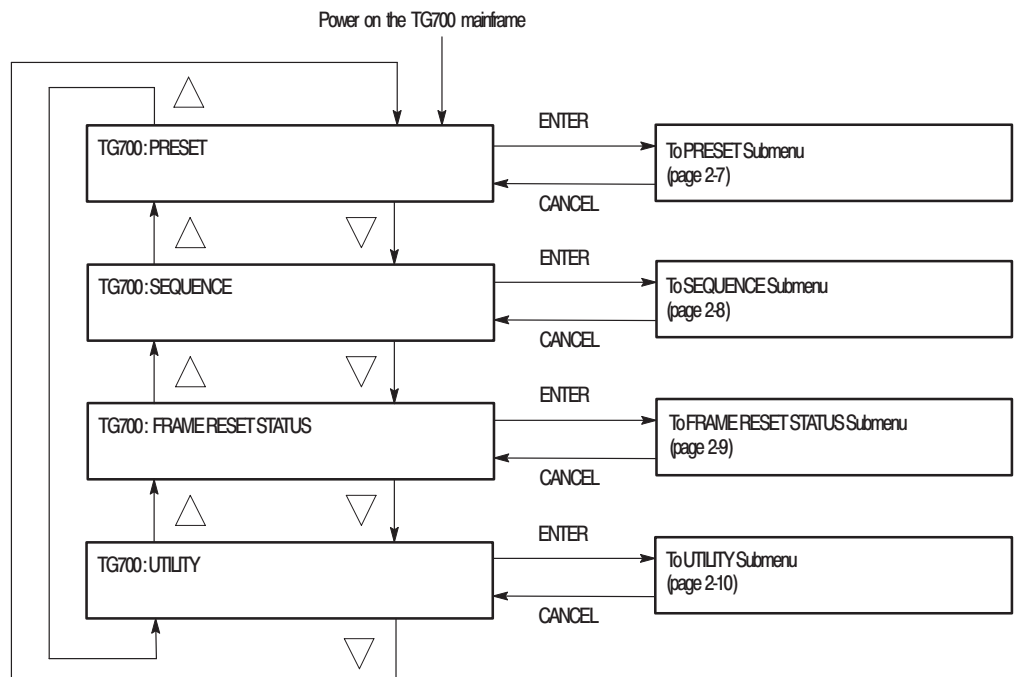


Figure 2-1: Mainframe main menu

PRESET Submenu

This menu allows you to recall instrument settings saved as a preset or save the current instrument settings to a preset. Use the up (▲) or down (▼) arrow button to scroll through the menu items. Figure 2-2 shows the PRESET submenu.

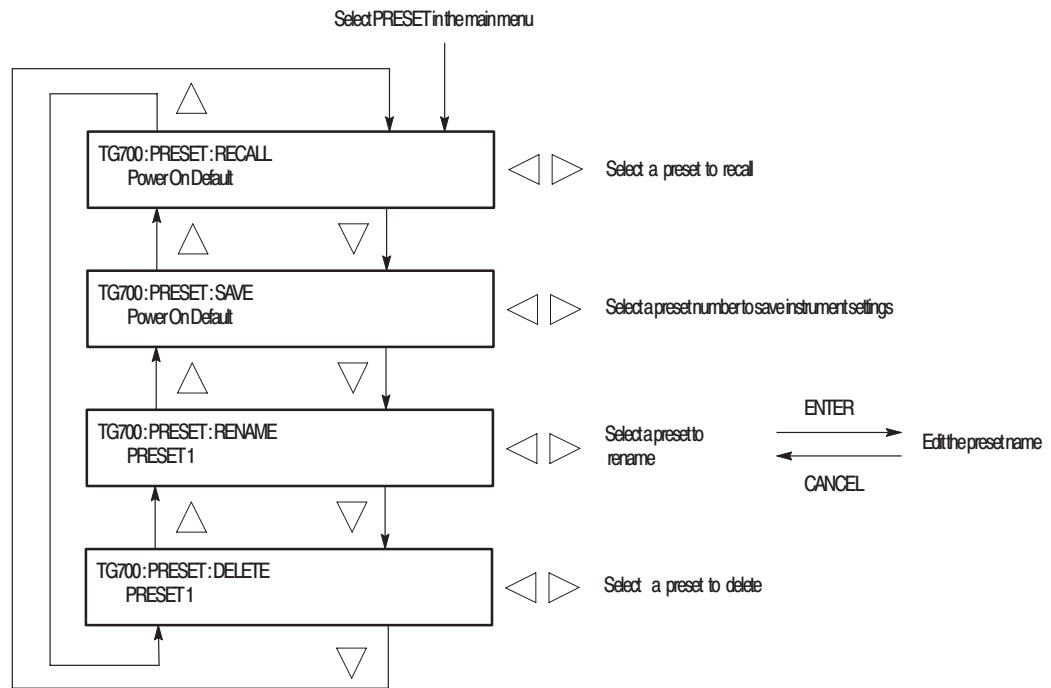


Figure 2-2: PRESET submenu

SEQUENCE Submenu

This menu allows you to select and run a sequence that is already loaded into the TG700. A sequence is a series of generator settings defined using the Tcl language and SCPI commands. The TG700 loads a sequence and runs the command and settings in the order dictated by the sequences file. Figure 2-3 shows the SEQUENCE submenu.

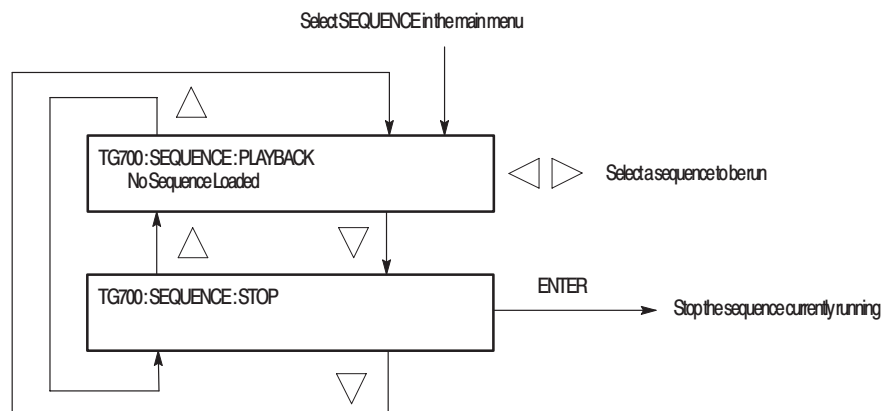


Figure 2-3: SEQUENCE submenu

**FRAME RESET STATUS
Submenu**

This menu allow you to display which of the three frame reset signals is used by the output of the installed modules. Use the up (▲) or down (▼) arrow button to scroll through the menu items. Figure 2-4 shows the FRAME RESET STATUS submenu.

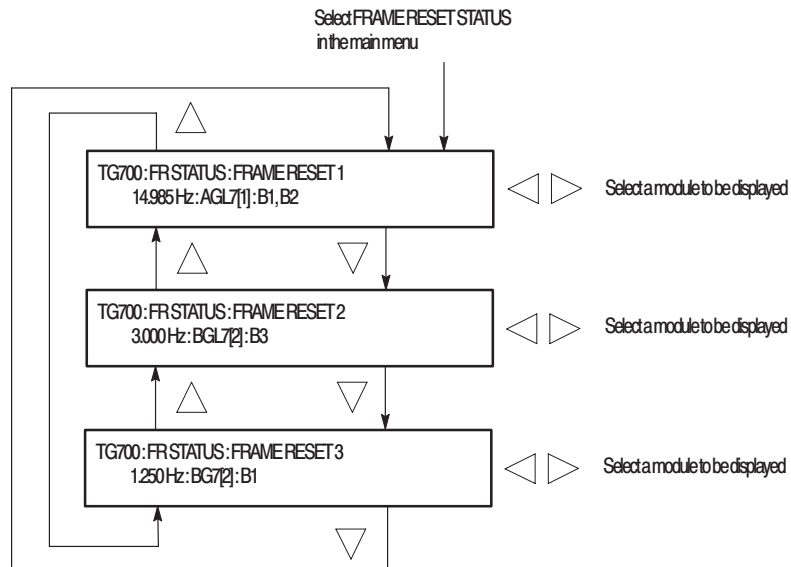


Figure 2-4: FRAME RESET STATUS submenu

UTILITY Submenu

This menu allows you to set the system related settings such as the contrast of the LCD display and the network parameters. Use the up (▲) or down (▼) arrow button to scroll through the menu items. Figure 2-5 shows the UTILITY submenu.

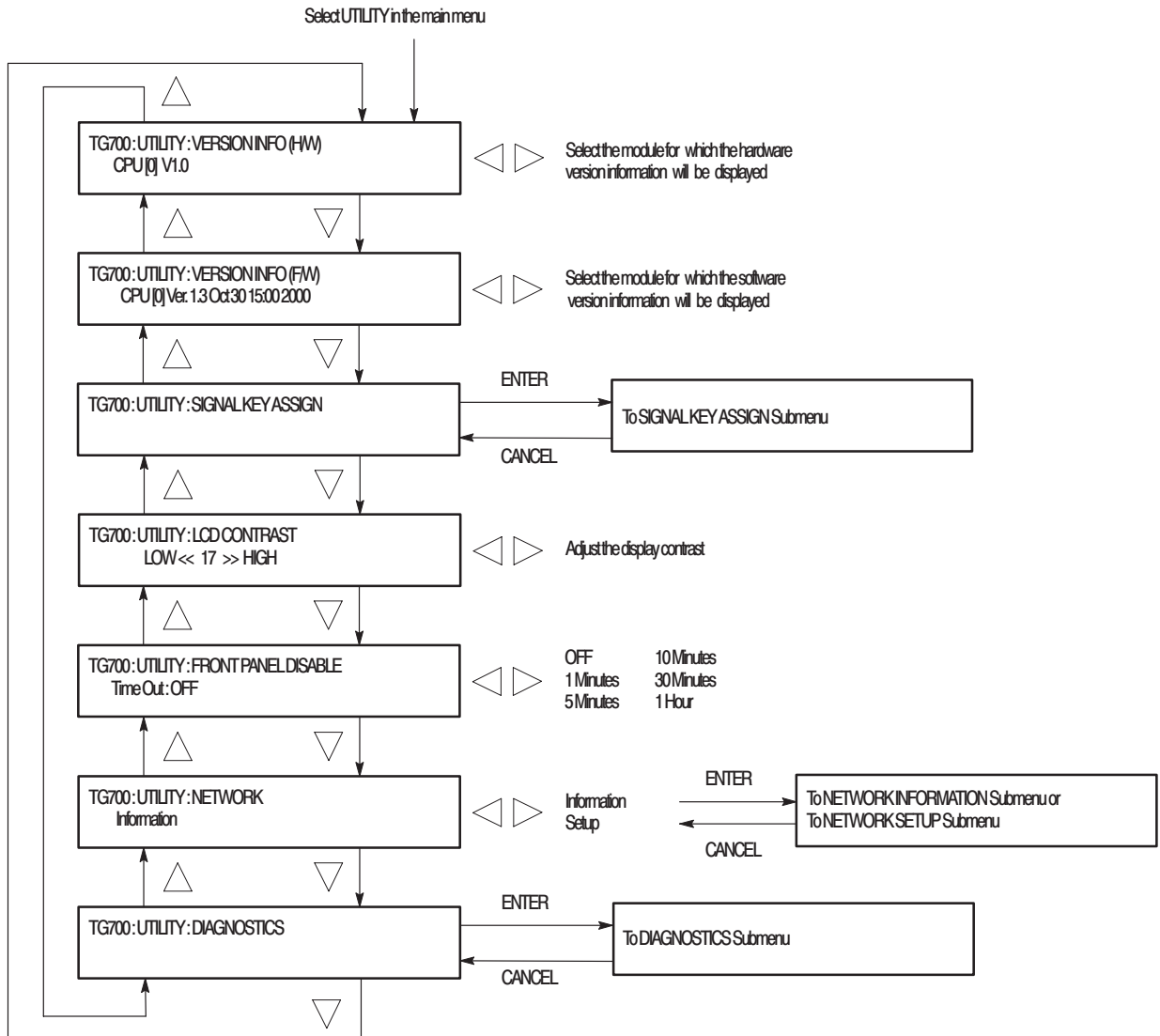


Figure 2-5: UTILITY submenu

**SIGNAL KEY ASSIGN
Submenu**

This menu allows you to assign signal sets to a specific test signal button on the front panel. You can also assign a frame picture file created by the Frame Picture Generator application supplied with the TG700 to the OTHER test signal button. Figure 2-6 shows the SIGNAL KEY ASSIGN submenu.

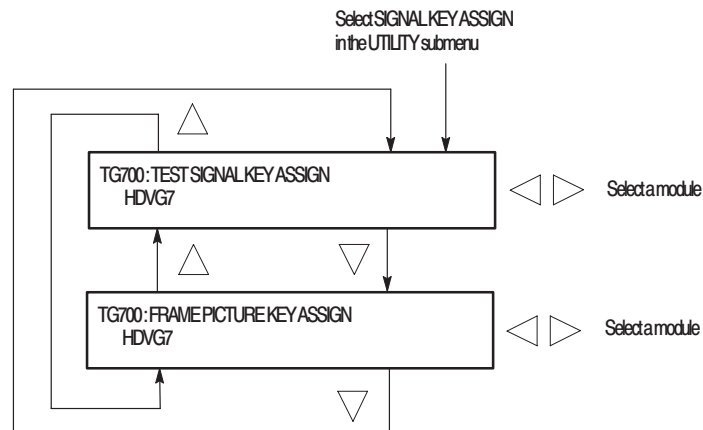


Figure 2-6: SIGNAL KEY ASSIGN submenu

**NETWORK INFORMATION
Submenu**

This menu allows you to display all of the network parameters currently set. Figure 2-7 shows NETWORK INFORMATION submenu.

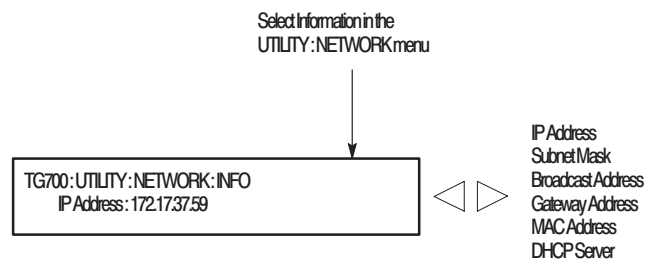


Figure 2-7: NETWORK INFORMATION submenu

**NETWORK SETUP
Submenu**

This menu allows you to set network parameters for the 10 BASE-T port on the TG700. These parameters are used when you connect the TG700 to a remote computer (PC) so you can control the TG700 remotely from the PC, and transfer various files between the TG700 and the PC. Use the up (▲) or down (▼) arrow button to scroll through the menu items. Figure 2-8 shows the NETWORK SETUP submenu.

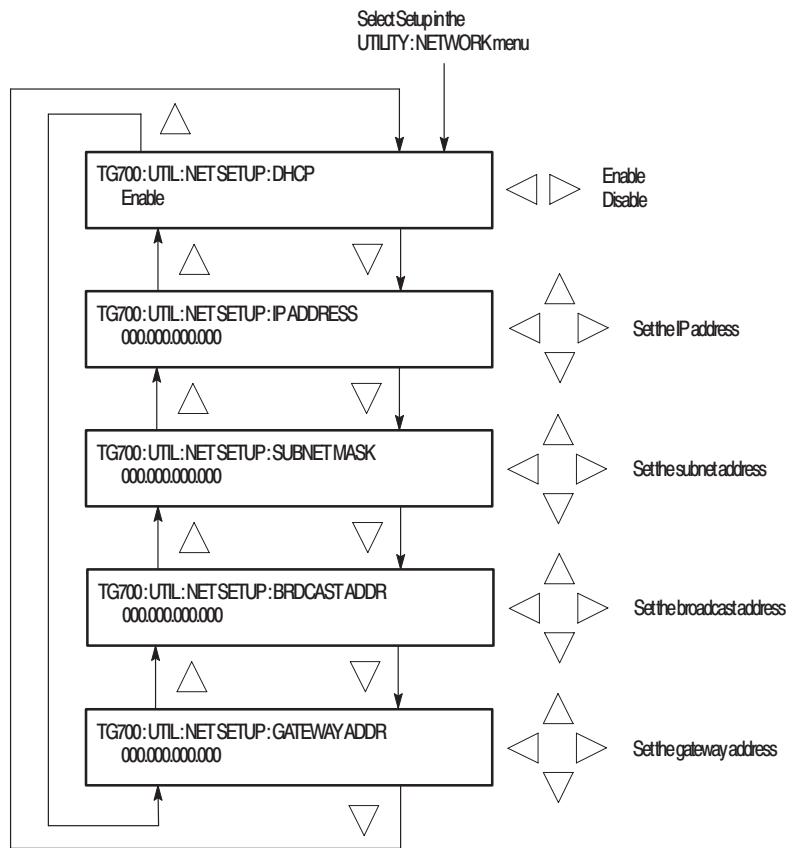


Figure 2-8: NETWORK SETUP submenu

NOTE. Under some network environments, the TG700 may not be able to get the IP address automatically from a DHCP server. In this case, you need to enter the appropriate address value in each submenu item.

DIAGNOSTICS Submenu

This menu allows you to execute the diagnostic routines for the mainframe and the installed modules. Figure 2-9 shows the DIAGNOSTICS submenu.

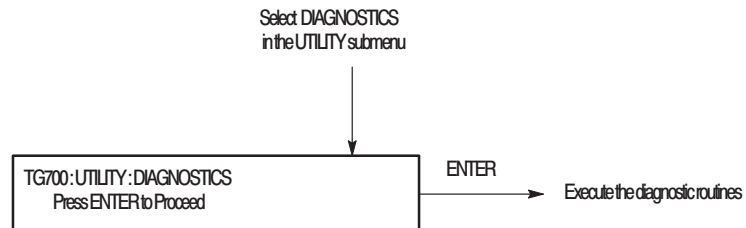


Figure 2-9: DIAGNOSTICS submenu



CAUTION. When you execute the diagnostic routines, be sure to save the current instrument settings to a preset, and then recall the settings after the diagnostics is completed.

Module Installation

This section provides instructions for installing and removing modules from the TG700 mainframe. A screwdriver with a #1 Phillips tip is the only tool you need to install or remove a module.



CAUTION. To prevent damage to the mainframe and module, always remove the power cord before installing or removing a module.

Preventing Component Damage



CAUTION. Electrostatic discharge (ESD) can damage components on this module and mainframe. To prevent ESD or other component damage, follow the steps below when installing, removing, or handling modules:

1. Wear a grounded antistatic wrist strap to discharge the static voltage from your body while installing or removing modules from the TG700 mainframe.
2. Transport and store modules in a static-protected bag or container.
3. Do not slide the module over any surface.
4. Handle modules as little as possible.
5. Do not touch module components or connector pins.
6. Do not use any devices capable of generating or holding a static charge in the work area where you remove, install, or handle modules.
7. Avoid handling modules in areas that have a floor or work-surface covering capable of generating a static charge.
8. Do not remove the module circuit board assembly from the shield. The shield is an important stiffener which prevents damage to surface-mount components.

Installing a Module

To install a module into the mainframe perform the following procedure:

1. Unplug the power cord from the AC power source.
2. Select the slot where you will install the module. Table 2-3 lists the slot restrictions. Figure 2-10 shows a sample configuration with slot numbers. Note that the AGL7 module must be in slot 1.

Table 2-3: Module slot assignments

Module	Slots in which the module can be installed
AG7 module	Slots 1 through 4
AGL7 module	Slot 1
BG7 module	Slots 1 through 4
DVG7 module	Slots 1 through 4
HDVG7 module	Slots 1 through 4

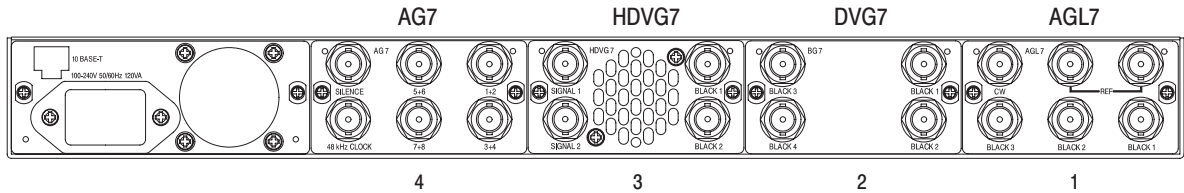


Figure 2-10: TG700 slot numbering

NOTE. Only one (1) AGL7 module may be installed in a TG700 mainframe at a time, and no more than two (2) HDVG7 modules may be installed in a TG700 mainframe at a time.

3. Use a screwdriver with a #1 Phillips tip to loosen the two screws on the blank panel attached to the slot you want to use, then pull the panel away. See Figure 2-11.



Figure 2-11: Removing the blank panel



CAUTION. Be careful not to damage the parts and cables inside of the module when you insert the module into the mainframe.

4. Insert the module into the slot, paying attention to the module orientation. See Figure 2-12.

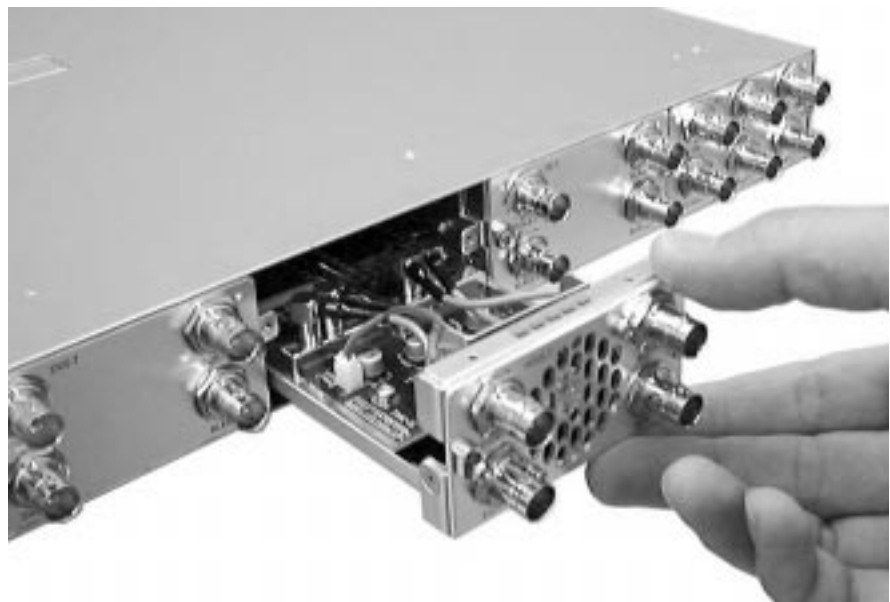


Figure 2-12: Installing the module

5. Push the module in until the connector board of the module is firmly engaged with the main board of the mainframe.
6. Tighten the two screws to secure the module to the mainframe. See Figure 2-13.



Figure 2-13: Securing the module

Removing a Module

To remove a module from the mainframe perform the following procedure:



CAUTION. To make module removal easy, attach terminations or BNC cables to the module connectors. The connector may be damaged if too much force is applied to it during module removal.

1. Unplug the power cord from the AC power source.
2. Attach 75 Ω terminations or BNC cables to the BNC connectors on the module to be removed. Module removal becomes easier if they are attached to the connectors on the left and right sides.
3. Use a screwdriver with a #1 Phillips tip to loosen the two screws securing the module to the mainframe.



CAUTION. Be careful not to damage the parts and cables inside of the module when you remove the module from the mainframe.

4. Pull the module slowly in horizontal direction back from the mainframe while supporting the terminations or BNC cables attached to the connectors. See Figure 2-14.

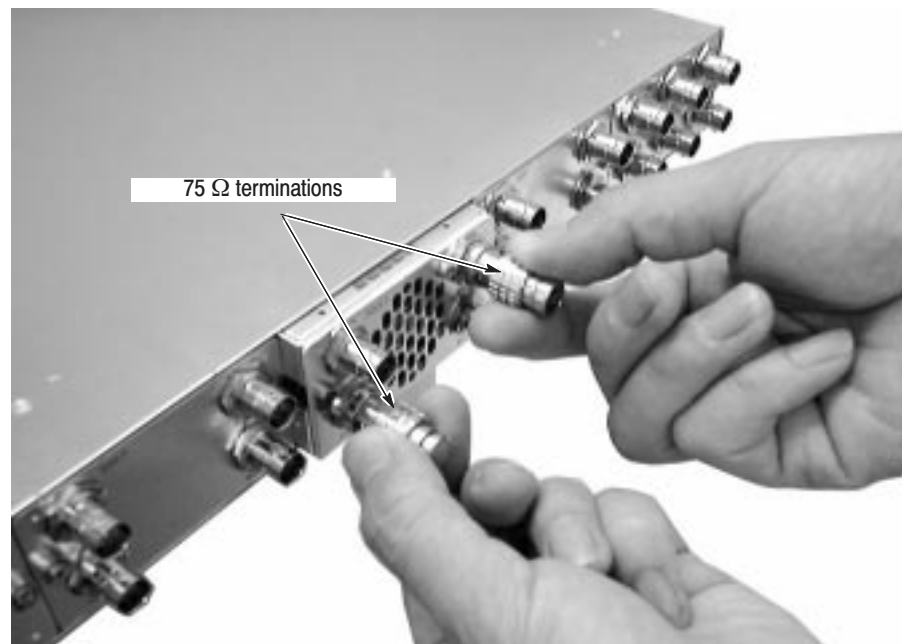


Figure 2-14: Removing the module

5. If this empty slot will not be used, you must attach a blank panel to the mainframe to maintain instrument cooling and EMI emission.
 - a. Position the blank panel on the open mainframe slot.
 - b. Tighten the two screws to secure the blank panel to the mainframe.A blank panel is available as an optional accessory for the TG700 mainframe. Refer to *OPTIONAL ACCESSORIES* on page 10-13.
6. If you want to install another module into the slot from which the module is removed, perform *Installing a Module* on page 2-16.



Theory of Operation

Theory of Operation

This section describes the basic operation of the major circuit blocks or modules in the TG700. The Diagrams section, beginning on page 9-1, includes a block diagram and an interconnect diagram. Figure 9-1 shows the modules and functional blocks of the TG700. Figure 9-2 shows how the modules interconnect.

A10 Main Board

The A10 Main board consists of the following seven blocks.

- | | |
|------------------------------|---|
| CPU & Memory | This block consists of CPU, 16 MB flash memory, and 16 MB RAM. The CPU controls the front panel, LCD display, and installed modules. It also controls execution of remote commands and downloading and uploading of signal files through the Ethernet interface. The flash memory holds the firmware data and signal data output from modules. For the Option FP another 16 MB flash memory is added, to hold frame picture data. |
| D/A Converter | The block converts the digital data received from the AGL7 Analog Genlock module to analog voltage. |
| Oscillator | This block generates four clock signals and supplies them to the installed modules: a 54 MHz master clock signal, a 14.43MHz clock signal for D2, a 74.25MHz or a 74.25/1.001 MHz clock signals for HD, and a 12.288 MHz clock signal for Audio. The master clock signal is generated from the 13.5 MHz OCXO with high accuracy. The frequency is controlled by the 16 bit D/A converter. |
| Frame Pulse Generator | This block generates three frame pulses used for multi format signal generation. |
| Module I/F | This block provides the interface between the TG700 and the installed modules. It provides CPU related signals such as data bus and address bus, clock signals, power, and other control signals to the modules. |
| DC/DC Converter | This block converts the +5 V power, supplied by the Power Supply module, to -5 V, 3.3V, 8 V, and 12 V. |
| Network Interface | This block controls the Ethernet interface. The TG700 has a 10 BASE-T port on the rear panel. |

Power Supply Module

The Power Supply module derives the +5 V power supply voltages from the AC line and supplies it to the A10 Main board.



Performance Verification

Performance Verification

This section provides procedures to verify the performance and functionality of the TG700.

Preparation for Performance Verification

Perform the following before performing the performance verification procedures:

Power On Default Settings

Before you begin the performance verification procedures, make sure that the required instrument settings are saved in the Power On Default preset.

If the instrument settings are saved in the Power On Default preset, you can recall the settings after the performance verification procedures is completed by turning off and on the power.

Warm up

The TG700 and test equipment must have had a warm-up period of at least 20 minutes.

Equipment Required

Table 4-1 lists the equipment required for this procedure.

Table 4-1: Equipment required for Performance Verification

Item	No.	Minimum requirement	Recommended equipment
Analog genlock module	1		Tektronix AGL7
Frequency counter	1	Frequency range: 0.1 Hz to 1250 MHz Precision: 7 digits or higher	ANRITSU MF 1603A
75 Ω BNC cable	1	Length: 42 inches	Tektronix part no. 012-0074-00
75 Ω feed-through terminator	1		Tektronix part no. 011-0103-02

Calibration Data Report

Photocopy this form and use it to record the performance test results.

Table 4-2: TG700 calibration data report

Serial Number:		Cal Date:	Temperature:	Humidity:
Step	Function Tested	Minimum	Cal Data	Maximum
1.	Subcarrier Frequency	3.5795444 MHz		3.5795464 MHz

Performance Verification Procedures

Be sure you have performed the *Preparation for Performance Verification* before proceeding.



WARNING. *Dangerous electric shock hazards exist inside the TG700 mainframe. Only qualified service personnel should perform these procedures.*

Subcarrier Frequency

This test verifies that the subcarrier frequency accuracy of black burst signals. The following equipment is required for the test:

- Frequency counter
- 75 Ω BNC cable
- 75 Ω feed-through terminator

Perform the following procedure to verify the subcarrier frequency accuracy of black burst signals.

1. Use the 75 Ω BNC cable and the 75 Ω feed-through terminator to connect the BLACK 1 connector on the AGL7 Generator module to the INPUT A connector on the frequency counter as shown in Figure 4-1.

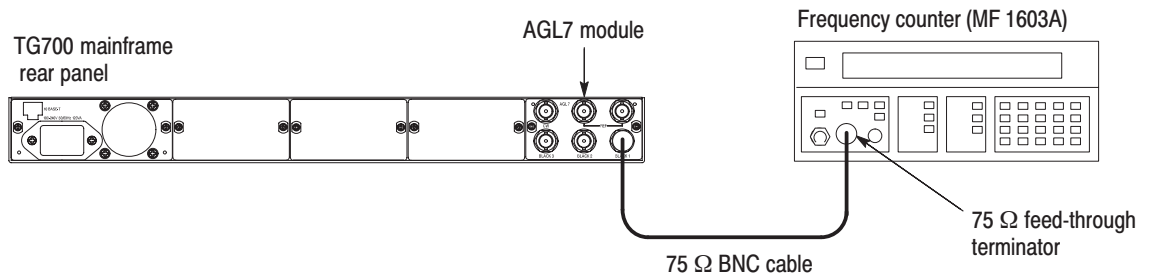


Figure 4-1: Equipment connection for verifying subcarrier frequency

2. Set the frequency counter to the frequency measurement mode (if necessary), and then set the Gate Time to < 2s.
3. Output the NTSC subcarrier calibration signal as follows:
 - a. Press the **MODULE**, **FORMAT**, and **FRONT PANEL ENABLE** buttons simultaneously, and then release the **MODULE** and **FORMAT** buttons to re-start the instrument in Factory mode.
 - b. Press the **MODULE** button to display the AGL7 main menu.
 - c. Press the up (▲) or down (▼) arrow button to select **SELECT OUTPUT**.
 - d. Press the left (◀) or right (▶) arrow button to select **BLACK 1**, and then press the **ENTER** button to access the OUTPUT submenu.
 - e. Press the left (◀) or right (▶) arrow button to select **CAL**, and then press the **ENTER** button to access the SIGNAL submenu.
 - f. Press the left (◀) or right (▶) arrow button to select **NTSC Subcarrier (1Vp-p)**, and then press the **ENTER** button.
4. Set the frequency counter to trigger on the input, and then verify that the displayed frequency is within the range of 3.579544 MHz to 3.579546 MHz.

This completes the *Performance Verification* procedure. If you require further assistance, contact your nearest Tektronix Service Center.



Adjustment Procedures

Adjustment Procedures

This section contains information needed to adjust the TG700.

The only adjustment in the TG700 is for the master clock frequency.

Requirement for Adjustment

Before doing the adjustment, note the following requirement.

Warm-Up Period

The TG700 requires a 20 minute warm-up time in a +20° C to +30° C environment before it is adjusted. Adjustment done before the operating temperature has stabilized may cause errors in performance.

In addition, the signal generator requires appropriate warm-up time to meet the frequency accuracy.

Equipment Required

Table 4-1 lists the equipment required to adjust the master clock frequency.

Table 5-1: Equipment required

Item	No.	Minimum requirement	Recommended equipment
Analog genlock module	1		Tektronix AGL7
Signal generator	1	Frequency: 10 MHz \pm 0.05 ppm Amplitude: 8 dBm	
75 Ω BNC cable	1	Length: 42 inches	Tektronix part no. 012-0074-00
50 Ω -to-75 Ω minimum loss attenuator	1		Tektronix part no. 011-0057-01

Master Clock Frequency Adjustment

Procedure Perform the following procedure to adjust the master clock frequency.

Initial Setups.

Signal Generator:

Frequency 10.000000 MHz
Output Level 8 dBm

Procedure.

1. Use the 75 Ω BNC cable and the 50 Ω-to-75 Ω minimum loss attenuator to connect the CW connector on the AGL7 Genlock module to the output connector on the signal generator as shown in Figure 5-1.

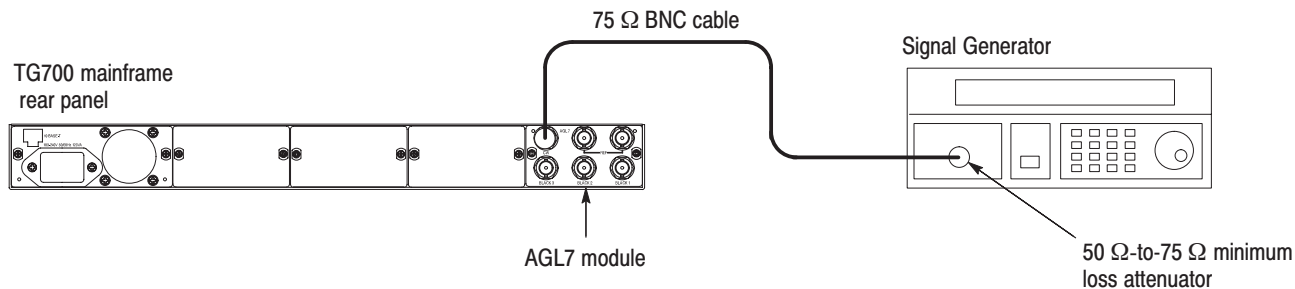


Figure 5-1: Equipment connection for adjusting master clock frequency

2. Press the **MODULE**, **FORMAT**, and **FRONT PANEL ENABLE** buttons simultaneously, and then release the **MODULE** and **FORMAT** buttons to re-start the instrument in Factory mode.
3. Set the genlock source to CW of the AGL7 Genlock module as follows:
 - a. Press the **MODULE** button to display the AGL7 main menu.
 - b. Press the up (▲) or down (▼) arrow button to select **GENLOCK**, and then press the **ENTER** button to access the GENLOCK submenu.
 - c. Press the left (◀) or right (▶) arrow button to select **CW**, and then press the **ENTER** button.
 - d. Press the **CANCEL** button to return the AGL7 main menu.

4. Press the **MODULE** button until the TG700 main menu is displayed.
5. Press the up (▲) or down (▼) arrow button to select **UTILITY**, and then press the **ENTER** button to access the **UTILITY** submenu.
6. Press the up (▲) or down (▼) arrow button to select **CALIBRATION**, and then press the **ENTER** button.
7. Verify that the message **CALIBRATION result = 0xxxxx** is displayed.

This completes the master clock frequency adjustment procedures.



Maintenance

Maintenance

This section contains the information needed to do periodic and corrective maintenance on the TG700. The following subsections are included:

- *Preparation* — Introduction plus general information on preventing damage to internal modules when doing maintenance.
- *Inspection and Cleaning* — Information and procedures for inspecting the TG700 and cleaning its external and internal modules.
- *Removal and Installation Procedures* — Procedures for the removal of defective modules and replacement of new or repaired modules.
- *Troubleshooting* — Information for isolating and troubleshooting failed modules. Included are instructions for operating the TG700's internal diagnostic routines and troubleshooting trees.

Related Maintenance Procedures

The following sections contain information and procedures related to maintenance.

- Section 2, *Operating Information*, covers instructions useful when operating the TG700 in order to troubleshoot it.
- Section 3, *Theory of Operation*, contains a circuit description at the module or block level.
- Section 4, *Performance Verification*, contains procedures that may be useful in isolating problems to modules by testing the TG700 performance.
- Section 5, *Adjustment Procedures*, addresses after repair adjustment and the interval between periodic adjustments. It contains a procedure for adjusting the master clock frequency of the TG700.
- Section 9, *Diagrams*, contains a block diagram using individual modules as blocks and an interconnect diagram showing connections between the modules.
- Section 10, *Mechanical Parts List*, lists all field replaceable modules by part number.

Preparation

Before servicing this product, read the *Safety Summary* and *Introduction* at the front of the manual and the ESD information below.



CAUTION. *Static discharge can damage any semiconductor component in the TG700.*

Preventing ESD

When performing any service which requires internal access to the TG700, adhere to the following precautions to avoid damaging internal modules and their components due to electrostatic discharge (ESD).

1. Minimize handling of static-sensitive modules.
2. Transport and store static-sensitive modules in their static protected containers or on a metal rail. Label any package that contains static-sensitive modules.
3. Discharge the static voltage from your body by wearing a grounded antistatic wrist strap while handling these modules. Do service of static-sensitive modules only at a static-free work station.
4. Nothing capable of generating or holding a static charge should be allowed on the work station surface.
5. Handle circuit boards by the edges when possible.
6. Do not slide the modules over any surface.
7. Avoid handling modules in areas that have a floor or work-surface covering capable of generating a static charge.

Susceptibility to ESD

Table 6-1 lists the relative susceptibility of various classes of semiconductors. Static voltages of 1 kV to 30 kV are common in unprotected environments.

Table 6-1: Relative susceptibility to static-discharge damage

Semiconductor classes	Relative susceptibility levels ¹
MOS or CMOS microcircuits or discrete circuits, or linear microcircuits with MOS inputs (most sensitive)	1
ECL	2
Schottky signal diodes	3
Schottky TTL	4
High-frequency bipolar transistors	5
JFET	6
Linear microcircuits	7
Low-power Schottky TTL	8
TTL (least sensitive)	9

¹ **Voltage equivalent for levels (voltage discharged from a 100 pF capacitor through resistance of 100 ohms):**

1 = 100 to 500 V	6 = 600 to 800 V
2 = 200 to 500 V	7 = 400 to 1000 V (est.)
3 = 250 V	8 = 900 V
4 = 500 V	9 = 1200 V
5 = 400 to 600 V	

Inspection and Cleaning

Inspection and Cleaning describes how to inspect for dirt and damage. It also describes how to clean the exterior and interior of the TG700. Inspection and cleaning are done as preventive maintenance. Preventive maintenance, when done regularly, may prevent TG700 malfunction and enhance its reliability.

Preventive maintenance consists of visually inspecting and cleaning the TG700 and using general care when operating it.

How often preventative maintenance should be performed depends on the severity of the environment in which the TG700 is used. A proper time to perform preventive maintenance is just before TG700 adjustment.

General Care

The top cover helps keep dust out of the TG700, and is needed to meet EMI and cooling requirements. The top cover should be in place when operating the TG700.

Inspection and Cleaning Procedures

Inspect and clean the TG700 as often as operating conditions require. The collection of dirt on components inside can cause them to overheat and break-down. (Dirt acts like an insulating blanket, preventing efficient heat dissipation.) Dirt also provides an electrical conduction path that could cause a TG700 failure, especially under high-humidity conditions.



CAUTION. *Avoid the use of chemical cleaning agents that might damage the plastics used in this TG700. Use only deionized water when cleaning the menu buttons or front-panel buttons. Use an ethyl alcohol solution as a cleaner and rinse with deionized water.*

Inspection — Exterior. Inspect the outside of the TG700 for damage, wear, and missing parts, using Table 6-2 as a guide. A TG700 that appears to have been dropped or otherwise abused should be checked thoroughly to verify correct operation and performance. Immediately repair defects that could cause personal injury or lead to further damage to the TG700.

Table 6-2: External inspection check list

Item	Inspect for	Repair action
Cabinet, front panel, and cover	Cracks, scratches, deformations, damaged hardware or gaskets.	Repair or replace defective module.
Front-panel buttons	Missing or damaged buttons.	Repair or replace missing or defective buttons.

Table 6-2: External inspection check list (Cont.)

Item	Inspect for	Repair action
Connectors	Broken shells, cracked insulation, and deformed contacts. Dirt in connectors.	Repair or replace defective modules. Clear or wash out dirt.
Accessories	Missing items or parts of items, bent pins, broken or frayed cables, and damaged connectors.	Repair or replace damaged or missing items, frayed cables, and defective modules.

Cleaning Procedure — Exterior. To clean the TG700 exterior, perform the following steps:

1. Remove loose dust on the outside of the TG700 with a lint free cloth.
2. Remove remaining dirt with a lint free cloth dampened in a general purpose detergent-and-water solution. Do not use abrasive cleaners.
3. Clean the light filter protecting the monitor screen with a lint-free cloth dampened with a gentle, general purpose detergent-and-water solution.



CAUTION. To prevent getting moisture inside the TG700 during external cleaning, use only enough liquid to dampen the cloth or applicator.

Inspection — Interior. To access the inside of the TG700 for inspection and cleaning, refer to the *Removal and Installation Procedures* in this section.

Inspect the internal portions of the TG700 for damage and wear, using Table 6-3 as a guide. Defects found should be repaired immediately.



CAUTION. To prevent damage from electrical arcing, ensure that circuit boards and components are dry before applying power to the TG700

Table 6-3: Internal inspection check list

Item	Inspect for	Repair action
Circuit boards	Loose, broken, or corroded solder connections. Burned circuit boards. Burned, broken, or cracked circuit-run plating.	Remove failed module and replace with a fresh module.
Resistors	Burned, cracked, broken, blistered condition.	Remove failed module and replace with a fresh module.
Solder connections	Cold solder or rosin joints.	Resolder joint and clean with isopropyl alcohol.
Capacitors	Damaged or leaking cases. Corroded solder on leads or terminals.	Remove damaged module and replace with a fresh module from the factory.
Semiconductors	Loosely inserted in sockets. Distorted pins.	Firmly seat loose semiconductors. Remove devices that have distorted pins. Carefully straighten pins (as required to fit the socket), using long-nose pliers, and reinsert firmly. Ensure that straightening action does not crack pins, causing them to break off.
Wiring and cables	Loose plugs or connectors. Burned, broken, or frayed wiring.	Firmly seat connectors. Repair or replace modules with defective wires or cables.
Chassis	Dents, deformations, and damaged hardware.	Straighten, repair, or replace defective hardware.

Cleaning Procedure — Interior. To clean the TG700 interior, perform the following steps:

1. Blow off dust with dry, low-pressure, deionized air (approximately 9 psi).
2. Remove any remaining dust with a lint-free cloth dampened in ethyl alcohol and rinse with warm deionized water. (A cotton-tipped applicator is useful for cleaning in narrow spaces and on circuit boards.)

STOP. *If, after performing steps 1 and 2, a module is clean upon inspection, skip the remaining steps.*

3. If steps 1 and 2 do not remove all the dust or dirt, the TG700 may be spray washed using a solution of ethyl alcohol by performing steps 4 through 8.
4. Gain access to the parts to be cleaned by removing easily accessible shields and panels (see *Removal and Installation Procedures*).

5. Spray wash dirty parts with the ethyl alcohol and wait 60 seconds for the majority of the alcohol to evaporate.
6. Use hot deionized water to thoroughly rinse them.
7. Dry all parts with low-pressure, deionized air.
8. Dry all components and assemblies in an oven or drying compartment using low-temperature circulating air.

Lubrication. There is no periodic lubrication required for the TG700.

Removal and Installation Procedures

This subsection contains procedures for removal and installation of almost all mechanical and electrical modules. Any electrical or mechanical module, assembly, or part listed in Section 10 of this manual is a module.

Preparation



WARNING. Before performing this or any other procedure in this manual, read the Safety Summary found at the beginning of this manual. Also, to prevent possible injury to service personnel or damage to the TG700's components, read Installation in Section 2, and Preventing ESD in this section.

This subsection contains the following items:

- Preparatory information that you need to properly perform the procedures that follow.
- List of tools required to remove and disassemble all modules.
- Two module locator diagrams for finding the External modules (see Figure 6-2) and Internal modules (see Figure 6-3), in the TG700.
- Procedures for removal and reinstallation of the electrical and mechanical modules.
- A disassembly procedure for removal of all the major modules from the TG700 at one time and for reassembly of those modules into the TG700. Such a complete disassembly is normally only done when completely cleaning the TG700. (Instructions for doing the actual cleaning are found under *Inspection and Cleaning* at the beginning of this section.)
- Module disassembly procedures.



WARNING. Before performing any procedure in this subsection, disconnect the power cord from the line voltage source. Failure to do so could cause serious injury or death.

List of Modules Section 10 lists all modules.

General Instructions **STOP.** Read these general instructions before removing a module.

First read over the Summary of Procedures that follows to understand how the procedures are grouped. Then read Equipment Required for a list of the tools needed to remove and install modules in the TG700.

If you are removing a module for service, begin by performing the procedure Access Procedure (page 6-14). By following the instructions in that procedure, you remove the module to be serviced while removing the minimum number of additional modules.

Summary of Procedures The procedures are described in the order in which they appear in this section. In addition, you can look up any procedure for removal and reinstallation of any module in the *Table of Contents* of this manual.

- The *Access Procedure* on page 6-14 first directs you to the procedure(s) (if any) that are required to access the module to be serviced, then it directs you to the procedure to remove that module.

Table 6-4: Summary of procedures

Procedure	Module	Page
Procedures for External Modules	<ul style="list-style-type: none"> ■ Line cord ■ Top cover ■ Front-panel unit ■ Front-panel assembly 	6-15
Procedures for Internal Modules	<ul style="list-style-type: none"> ■ A10 Main board ■ Power supply module 	6-20

Equipment Required. Most modules in this TG700 can be removed with a screwdriver handle mounted with a #2 Phillips tip. *Use this tool whenever a procedure step instructs you to remove or install a screw unless a different size screwdriver is specified in that step.* All equipment required to remove and reinstall each module is listed in the first step of its procedure.

Table 6-5: Tools required for module removal

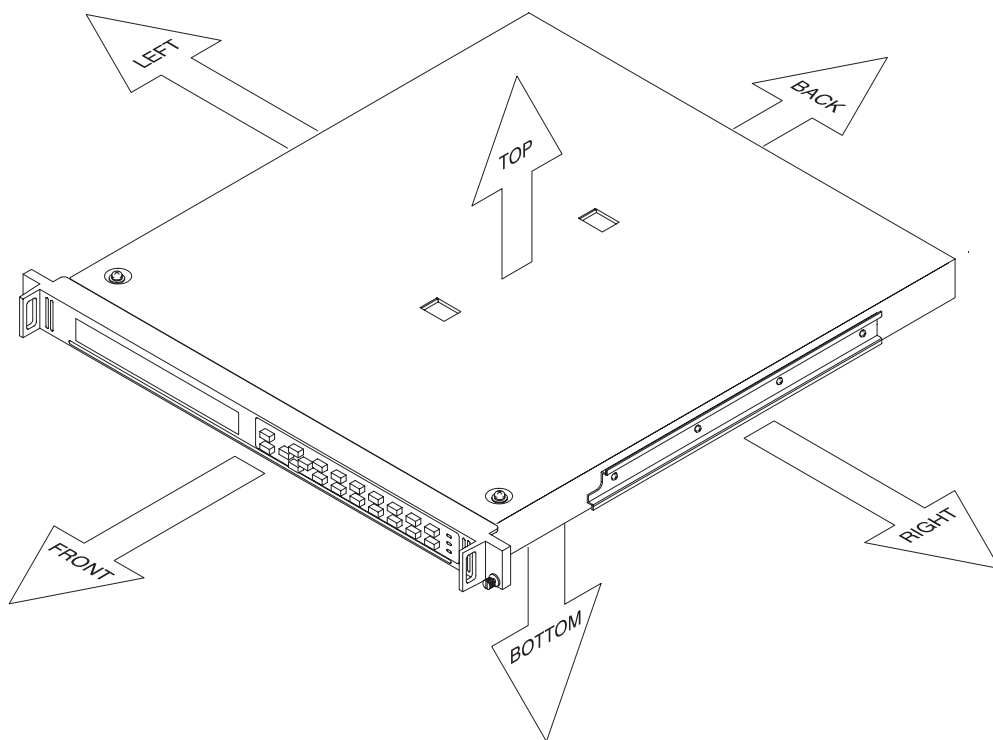
Item No.	Name	Description	Tektronix part number
1	Screwdriver handle	Accepts Phillips-driver bits	
2	#1 Phillips tip	Phillips-driver bit for #1 size screw heads	

Table 6-5: Tools required for module removal (Cont.)

Item No.	Name	Description	Tektronix part number
3	#2 Phillips tip	Phillips-driver bit for #2 size screw heads	
4	7mm Nut Driver	Socket or driver for 7mm nuts	

TG700 Orientation

In this manual, procedures refer to “front,” “back,” “top,” etc. of the TG700. Figure 6-1 shows how the sides are referenced.

**Figure 6-1: TG700 orientation**

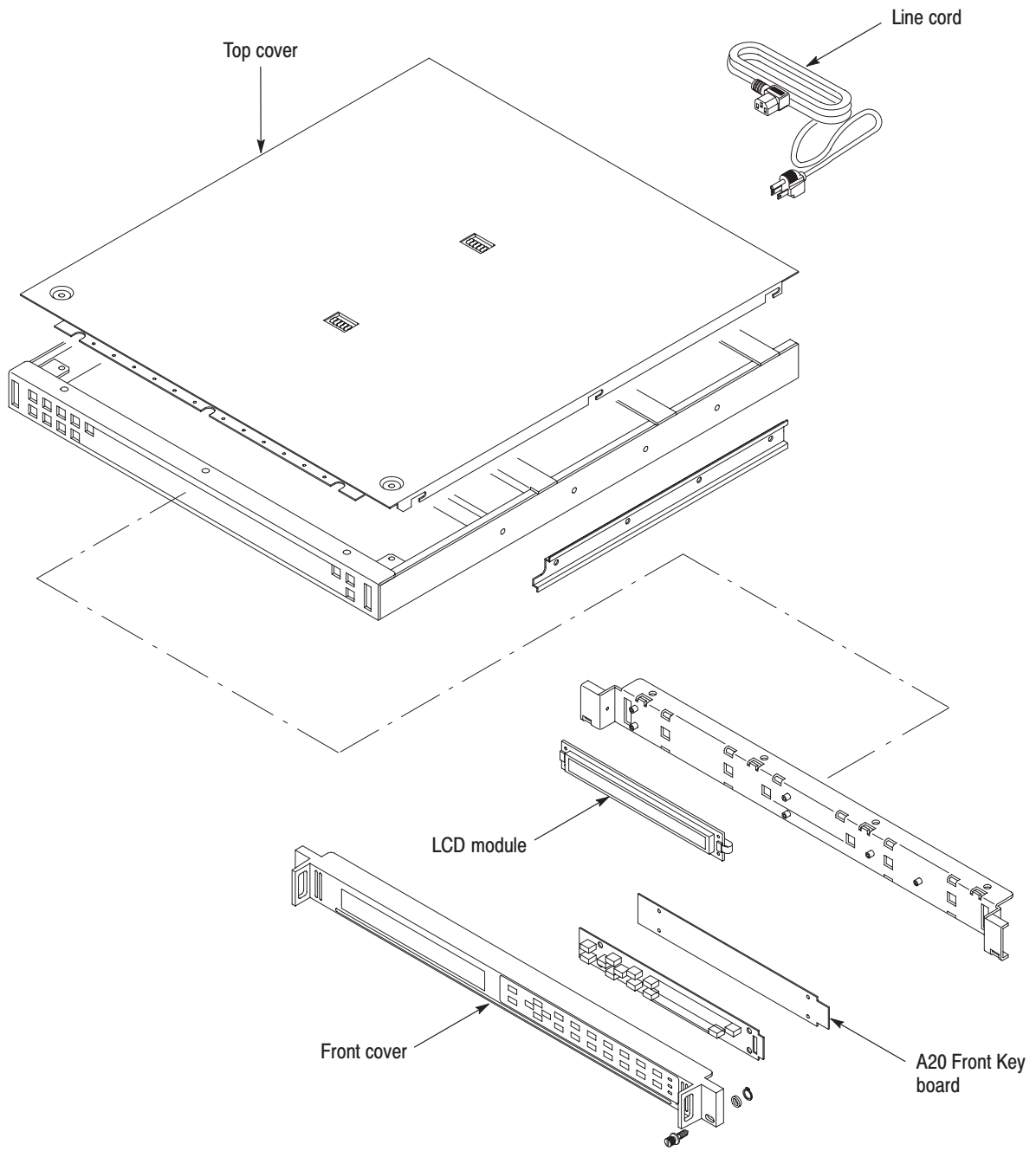


Figure 6-2: External modules

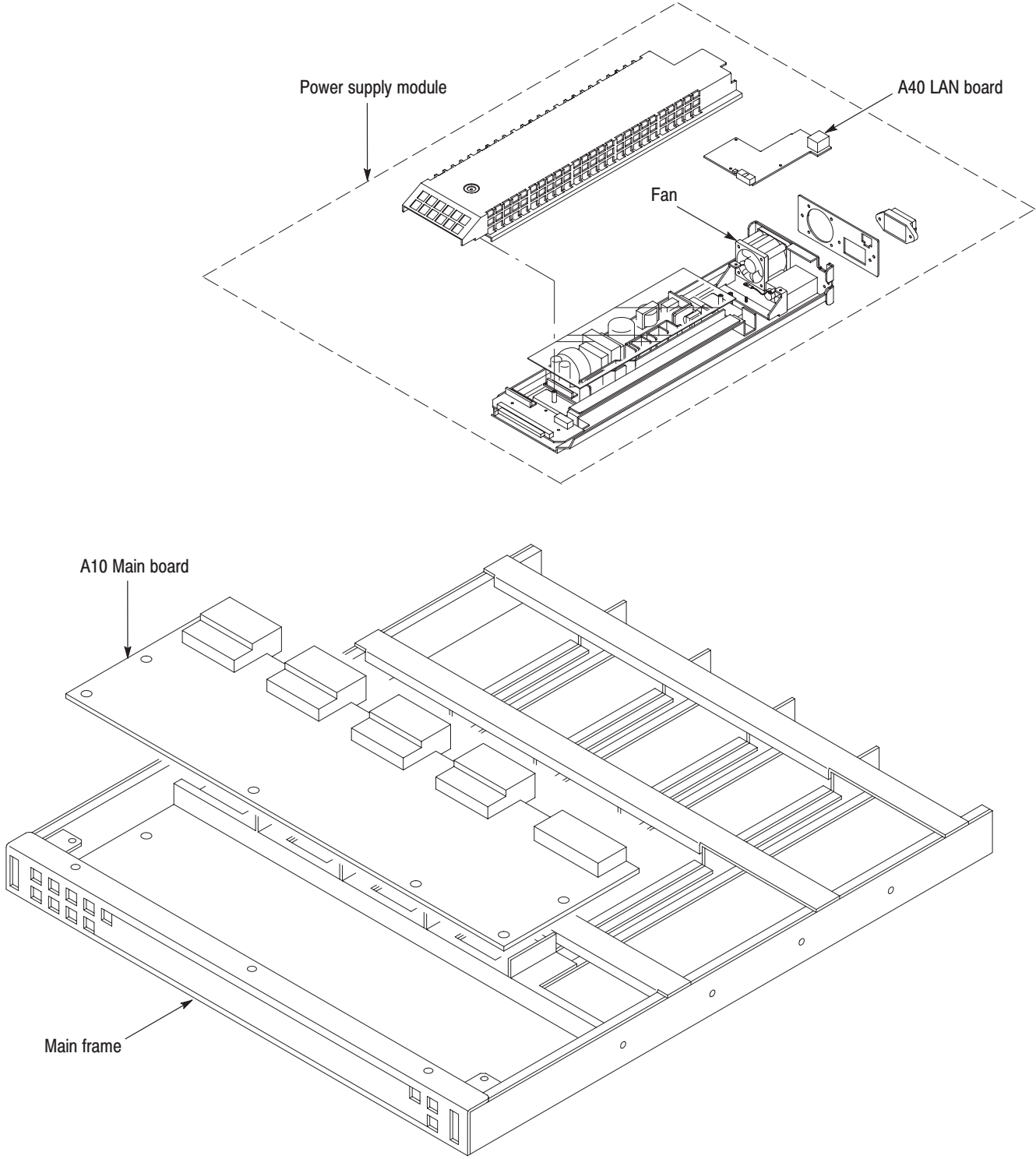


Figure 6-3: Internal modules

Access Procedure

When you have identified the module to be removed for service, read *General Instructions* found on page 6-10. Then use the flowchart in Figure 6-4 to determine which procedures to use for removing the module. The removal procedures end with installation instructions.

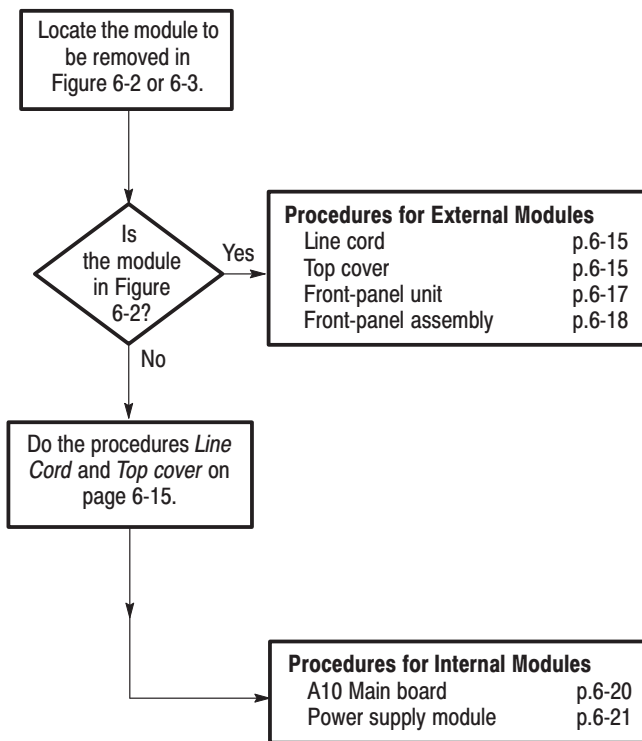


Figure 6-4: Guide to removal procedures

Procedures for External Modules

Do the *Access Procedure* (page 6-14) before doing any procedure in this group. This group contains the following procedures:

- *Line Cord*
- *Top Cover*
- *Front-Panel Unit*
- *Front-Panel Assembly*

- Line Cord**
1. *Assemble equipment and locate modules to be removed:* You need no equipment. Locate the line cord in the location diagram *External Modules*, Figure 6-2, page 6-12.
 2. *Orient the instrument:* Set the TG700 so its bottom is down on the work surface and its rear is facing you.
 3. *Remove the line cord:* Find the line cord on the rear panel. Grasp the plug and pull the line cord and clamp away to complete the removal. Reverse procedure to reinstall.

- Top Cover**
1. *Assemble equipment and locate modules to be removed:*
 - a. You need a screwdriver with a #2 Phillips tip (Items 1 and 3).
 - b. Locate the modules to be removed in the locator diagram *External modules*, Figure 6-2, page 6-12.
 2. *Orient the instrument:* Set the TG700 so its bottom is down on the work surface and its rear is facing you.
 3. *Remove the top cover:*
 - a. Using a screwdriver with a #2 Phillips tip, remove the two screws securing the front of the top cover to the TG700.
 - b. Slide the top cover toward the rear and then lift it off the TG700. See Figure 6-5, page 6-16.
 4. *Reinstall top cover:*
 - a. Perform step 3 in reverse order to reinstall the top cover.
 - b. Plug the line cord into its receptacle on the rear panel. This completes the TG700 reassembly.

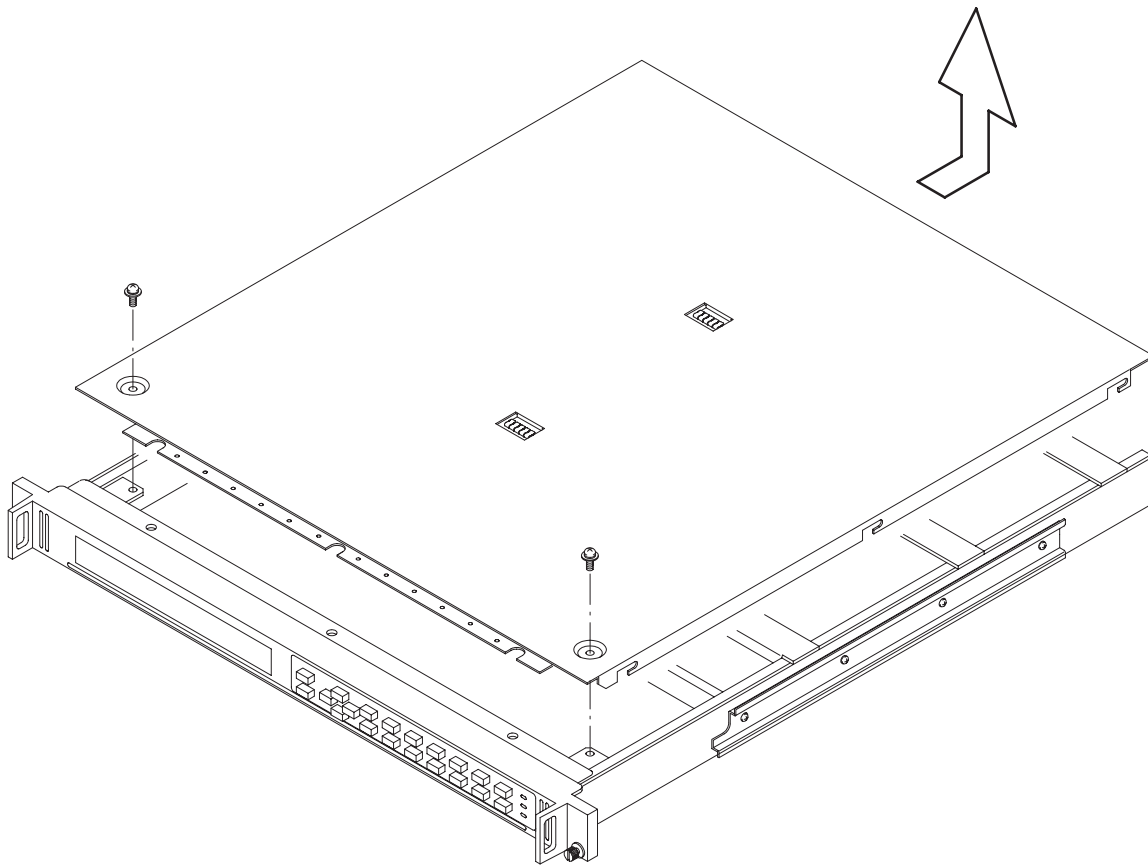


Figure 6-5: Top cover removal

Front-Panel Unit

1. *Assemble equipment and locate modules to be removed:*
 - a. You need a screwdriver with a #2 Phillips tip (Items 1 and 3).
 - b. Locate the module to be removed in the locator diagram *External modules*, Figure 6-2, page 6-12.
2. *Orient instrument:* Set the TG700 so its bottom is down on the work surface and its front is facing you.
3. *Remove front-panel unit:* See Figure 6-6.
 - a. Using a screwdriver with a #2 Phillips tip, remove the three screws securing the front-panel unit to the top of the chassis.
 - b. Set the TG700 so its top is down on the work surface and its front is facing you.
 - c. Using a screwdriver with a #2 Phillips tip, remove the four screws securing the front-panel unit to the bottom of the chassis.
 - d. Set the TG700 so its bottom is down on the work surface and its front is facing you.
 - e. Unplug the cables at J710, J720, and J725 on the A10 Main board.
 - f. Grasp the front-panel unit and pull it forward.
4. *Reinstallation:* Perform step 3 in reverse order to reinstall the front-panel unit.

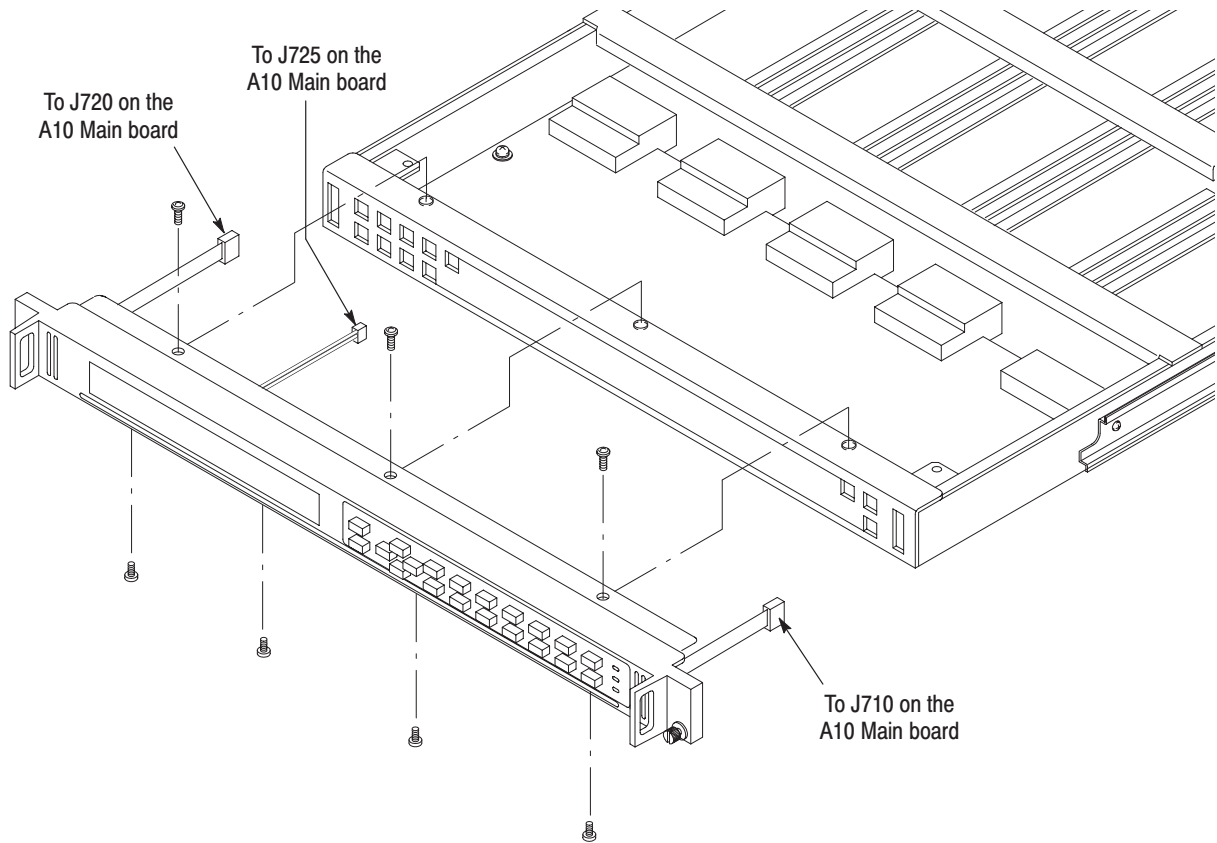


Figure 6-6: Front-panel unit removal

Front Panel Assembly

1. *Assemble equipment and locate modules to be removed:*
 - a. You need a screwdriver with a #2 Phillips tip (Items 1 and 3).
 - b. Locate the module to be removed in the locator diagram *External modules*, Figure 6-2, page 6-12.
2. *Remove the Front Cover:* See Figure 6-7.
 - a. Using a screwdriver with a #2 Phillips tip, remove the two screws securing the front cover to the left and right sides of the front frame.
 - b. Grasp the front cover and pull it forward.
3. *Remove the A20 Front Key board:* See Figure 6-7.
 - a. Using a screwdriver with a #2 Phillips tip, remove the four screws securing the A20 board to the front cover.

Procedure for Internal Modules

Perform the *Access Procedure* (on page 6-14) before doing any procedure in this group. The procedures are:

- *A10 Main Board*
- *Power Supply Module*

A10 Main Board

1. *Assemble equipment and locate modules to be removed:*
 - a. You need a screwdriver with a #2 Phillips tip (Items 1 and 3).
 - b. Locate the module to be removed in the locator diagram *Internal modules*, Figure 6-3, page 6-13.
2. *Orient the instrument:* Set the TG700 so its bottom is down on the work surface and its right side is facing you.
3. *Remove the A10 Main board:* See Figure 6-8.
 - a. Unplug these cables:
 - The cables from the LCD module at J720 and J725.
 - The cable from the A20 Front Key board at J710.
 - b. Using a screwdriver with a #2 Phillips tip, remove the eight screws securing the A10 Main board to the chassis.
 - c. Lift the board up and away from the chassis to complete the removal.
4. *Reinstallation:* Do step 3 in reverse order to reinstall the A10 Main board.

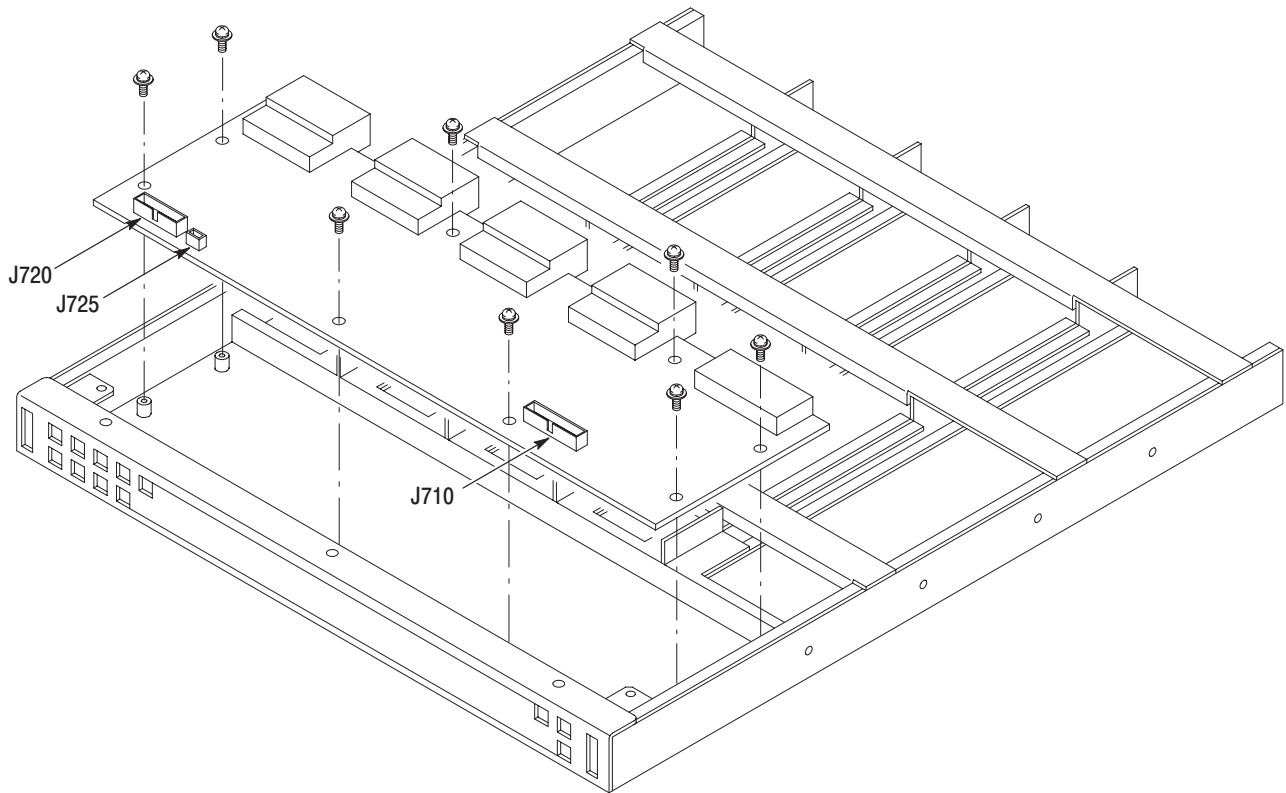


Figure 6-8: A10 Main board removal

Power Supply Module

This procedure describes how to remove these modules:

- *A40 LAN board*
- *Fan*
- *RFI filter*

1. Assemble equipment and locate modules to be removed:

- a. You need screwdrivers with #1 and #2 Phillips tips (Items 1, 2, and 3), and a 7mm nut driver (item 4).
- b. Locate the module to be removed in the locator diagram *Internal modules*, Figure 6-3, page 6-13.

2. Orient the instrument: Set the TG700 so its bottom is down on the work surface and its back is facing you.

3. *Remove the power supply module:*
 - a. Use a screwdriver with a #1 Phillips tip to loosen the two screws securing the power supply module to the mainframe.
 - b. Pull the module slowly in a horizontal direction back from the mainframe.
4. *Remove the A40 LAN board:* See Figure 6-9.
 - a. Use a screwdriver with a #2 Phillips tip to remove the screw securing the top cover to the chassis.
 - b. Lift the cover up and away from the chassis to complete the removal.
 - c. Unplug the cable from the fan at J120 on the A40 LAN board.
 - d. Unplug the cable from the A30 POWER CONNECT board at J110 on the A40 LAN board. When reconnecting this cable, make sure that it is completely within the cable guide.
 - e. Use a screwdriver with a #2 Phillips tip to remove the three screws securing the A40 LAN board to the chassis.
 - f. Lift the board up and away from the chassis to complete the removal.
5. *Remove the Fan:* See Figure 6-9.
 - a. Unplug the fan's power cable from J120 on the A40 LAN board.
 - b. Use a screwdriver with a #2 Phillips tip to remove the four screws securing the fan to the chassis.
 - c. Lift the fan up and away from the chassis to complete the removal.
6. *Remove the RFI filter:* See Figure 6-9.
 - a. Unplug the two cables from the RFI filter.
 - b. Use a 7mm nut driver remove the nut securing the ground lead to the chassis.
 - c. Use a screwdriver with a #2 Phillips tip to remove the two screws securing the RFI filter to the chassis.
 - d. Pull the RFI filter away.
7. *Reinstallation:*
 - a. Perform steps 4 through 6 in reverse order to install all the modules.
 - b. Perform step 3 in reverse order to reinstall the power supply module.

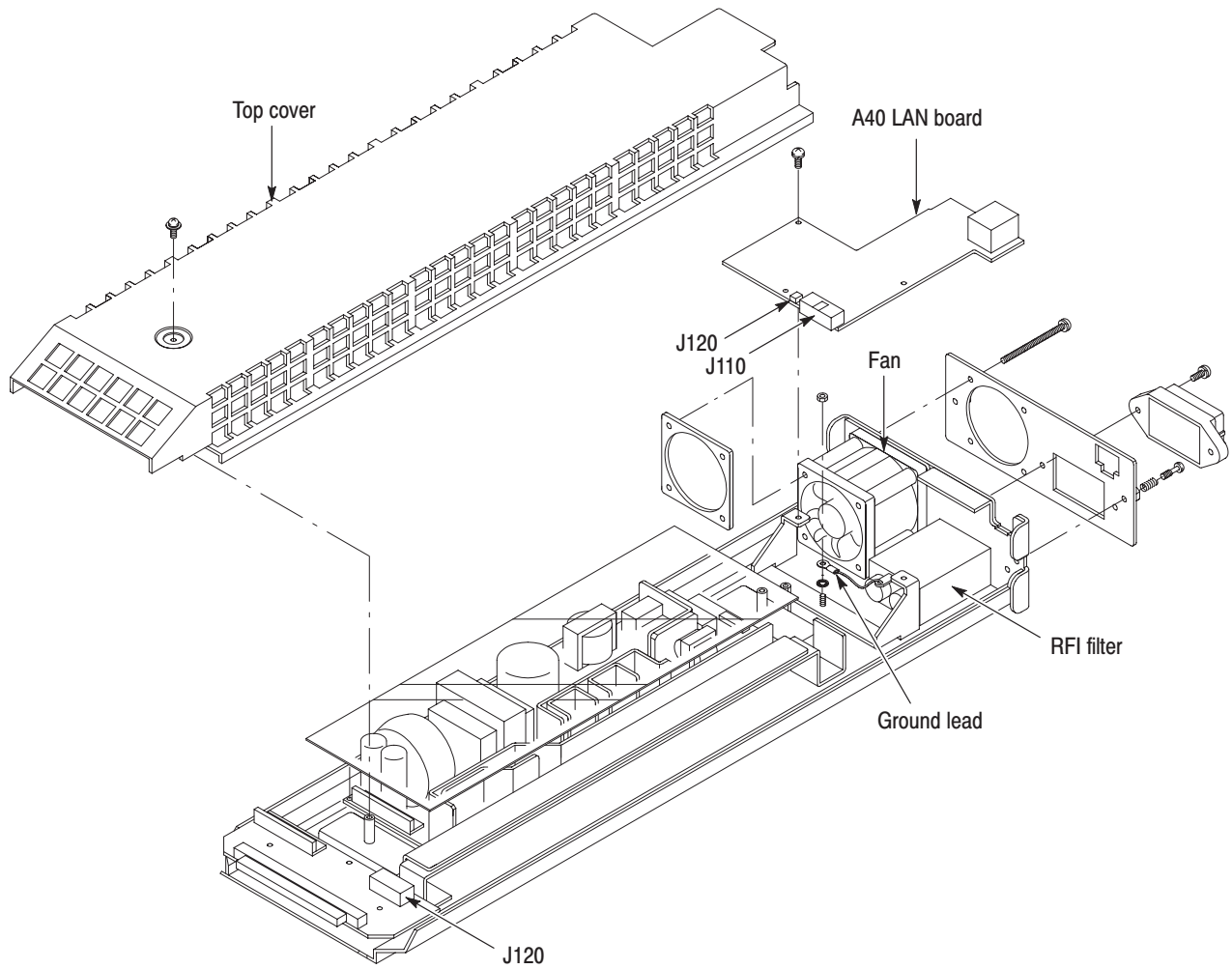


Figure 6-9: A40 LAN board, fan, and RFI filter removal

Troubleshooting

This section contains information about diagnostics and troubleshooting trees designed to isolate faulty modules in the TG700.

Diagnostics

The TG700 has internal diagnostics that verify memory functionality. These diagnostics execute read/write tests for the signal memory of the following modules:

- HDVG7
- DVG7
- BG7 Option CB



CAUTION. *When you execute the diagnostics, be sure to save the current instrument settings to a preset, and then recall the settings after the diagnostics is completed.*

Perform the following procedures to execute the diagnostics:

1. Power on (plug in) the TG700 with the **FRONT PANEL ENABLE** button pressed. This starts up the instrument in Factory mode.
2. Wait until initialization of the mainframe and installed modules is completed. Check that no error messages appear on the display.
3. Press the up (▲) and down (▼) arrow button to select **UTILITY**, and then press the **ENTER** button to access the **UTILITY** submenu.
4. Press the up (▲) and down (▼) arrow button to select **DIAGNOSTICS**, and then press the **ENTER** button to access the **DIAGNOSTICS** submenu.
5. Press the left (◀) or right (▶) arrow button to select **Memory**, and then press the **ENTER** button to execute the memory test.
6. Check that the message **Pass:All Install Module(s)** is displayed on the display.

If the message **Fail: “a module name” Diag error** is displayed, replace the module.

Troubleshooting Trees

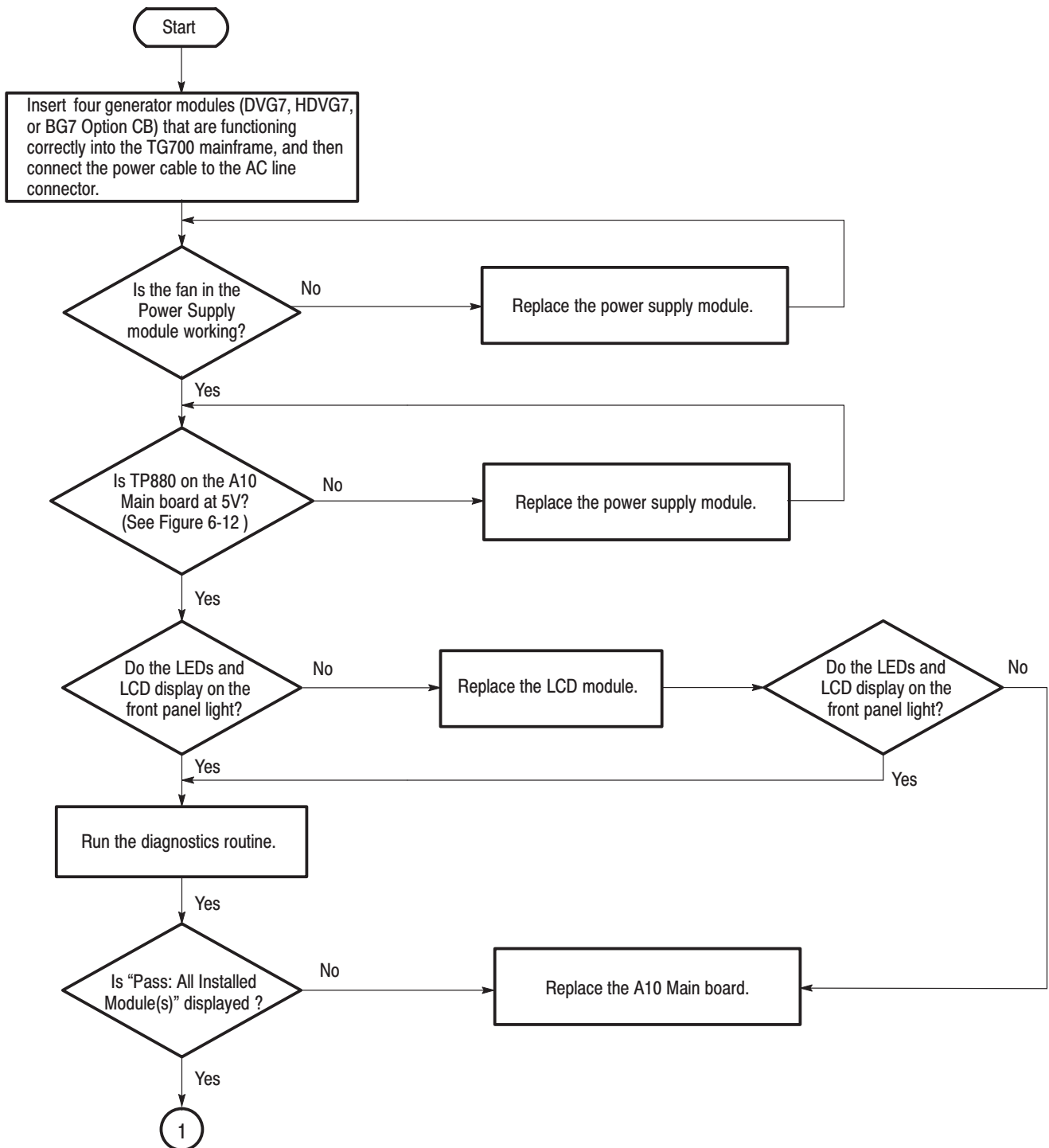


Figure 6-10: Troubleshooting procedure (1)

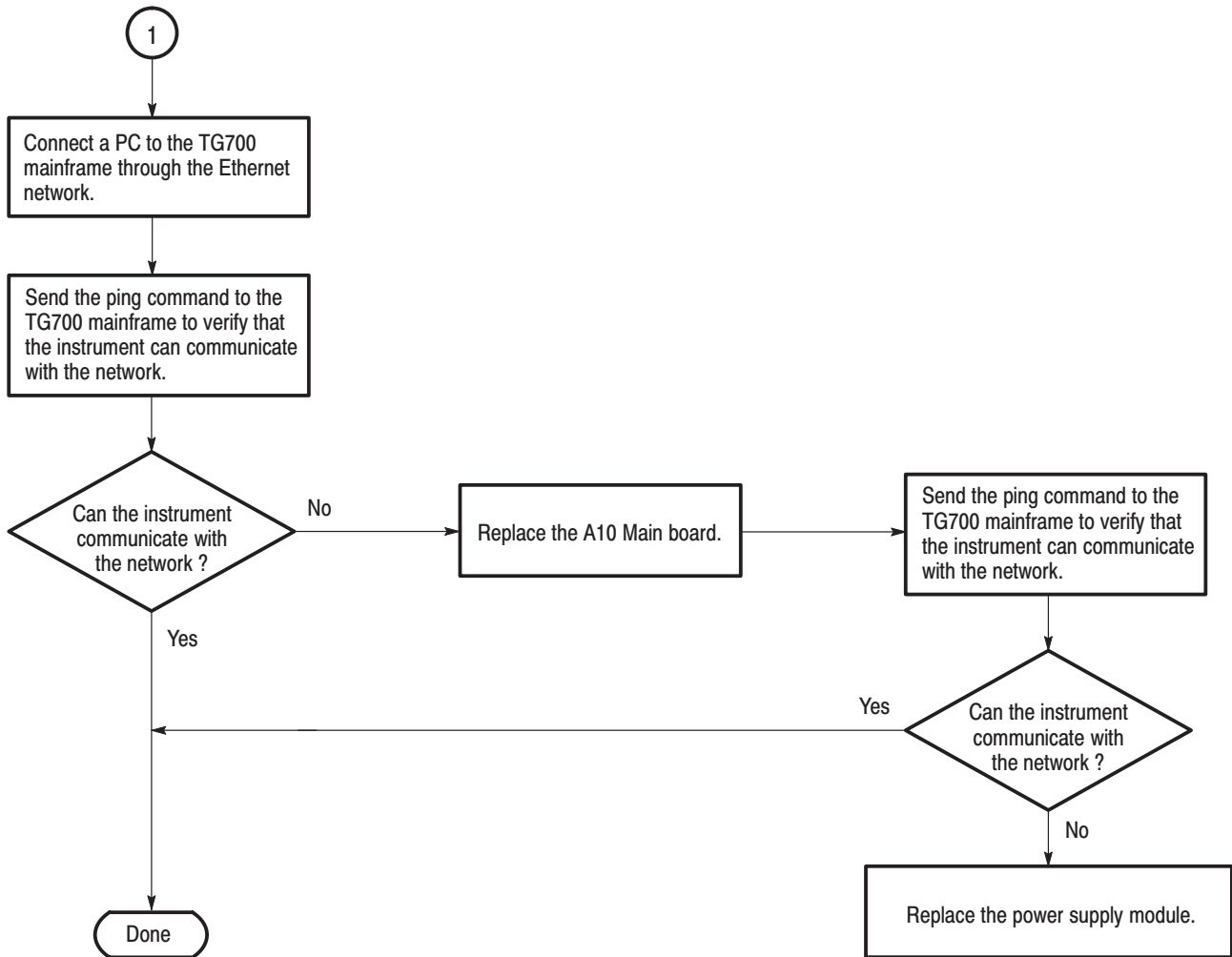


Figure 6-11: Troubleshooting procedure (2)

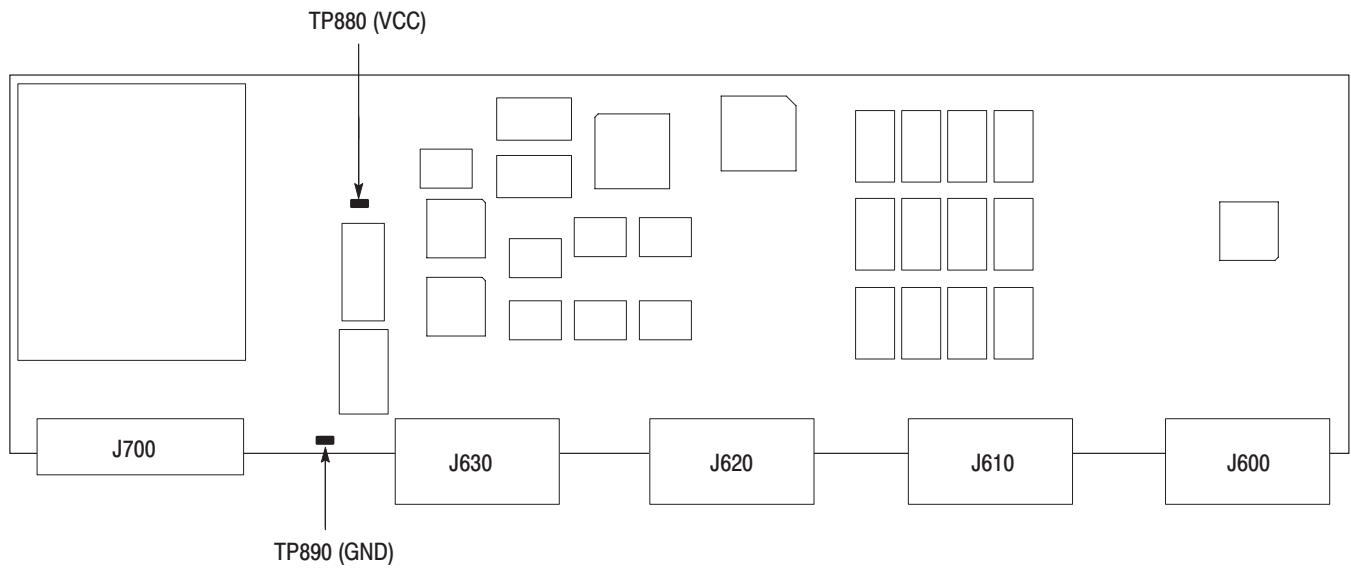


Figure 6-12: A10 Main board (view from top)



Options

Options

This section describes options that are available for the TG700.

The following options are available:

- Option FP (Frame picture feature)
- Option D1 (Test data report)

Option FP Description

Frame picture generation feature will be provided with your TG700 and frame pictures and test patterns can be generated when this option is specified.

Option D1 Description

A calibration data test result report will be provided with the TG700 when this option is specified.



Electrical Parts List



Electrical Parts List

The modules that make up this instrument are often a combination of mechanical and electrical subparts. Therefore, all replaceable modules are listed in section 10, *Mechanical Parts List*. Refer to that section for part numbers when using this manual.



Diagrams

Diagrams

This section contains the following diagrams:

- Block diagram of the TG700
- Interconnect diagram of the TG700

The Block diagram shows the modules and functional blocks in the TG700. The Interconnect diagram shows how the modules in the TG700 connect together.

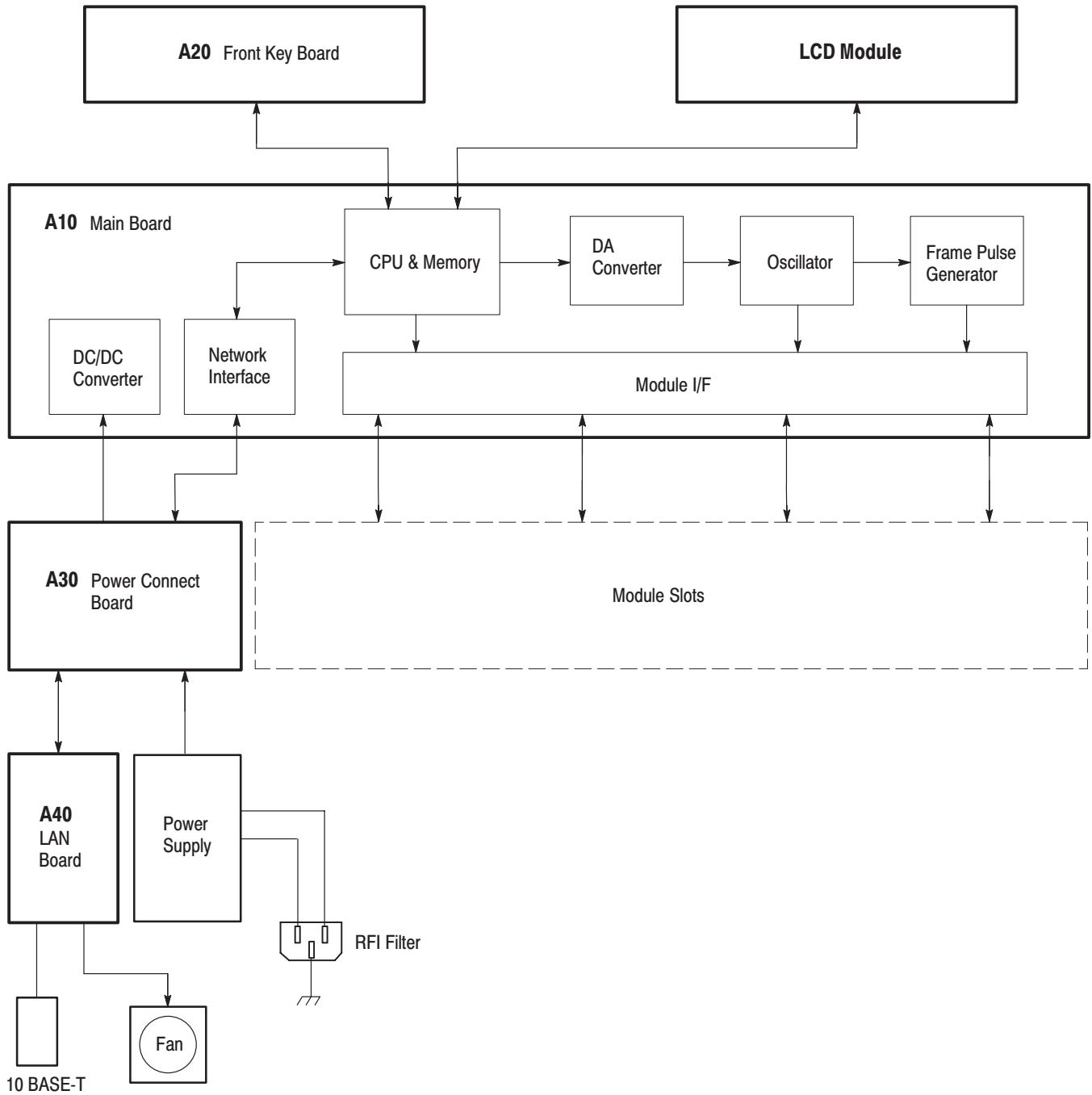


Figure 9-1: TG700 block diagram

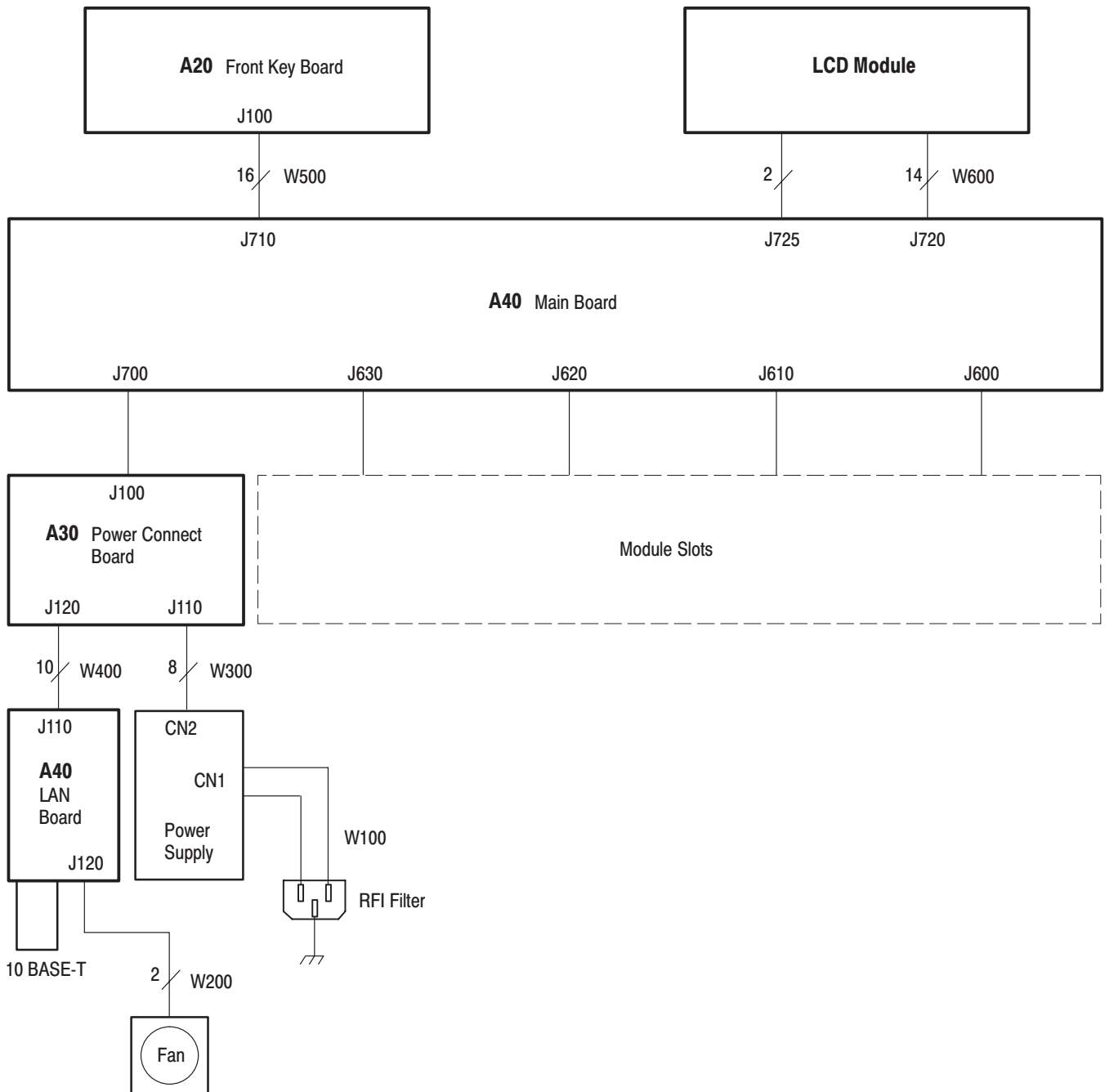


Figure 9-2: TG700 Interconnect diagram



Mechanical Parts List

Mechanical Parts List

This section contains a list of the replaceable modules for the TG700 mainframe. Use this list to identify and order replacement parts.

Parts Ordering Information

Replacement parts are available through your local Tektronix field office or representative.

Changes to Tektronix products are sometimes made to accommodate improved components as they become available and to give you the benefit of the latest improvements. Therefore, when ordering parts, it is important to include the following information in your order.

- Part number (see Part Number Revision Level below)
- Instrument type or model number
- Instrument serial number
- Instrument modification number, if applicable

If you order a part that has been replaced with a different or improved part, your local Tektronix field office or representative will contact you concerning any change in part number.

Part Number Revision Level

Tektronix part numbers contain two digits that show the revision level of the part. For most parts in this manual, you will find the letters XX in place of the revision level number.



When you order parts, Tektronix will provide you with the most current part for your product type, serial number, and modification (if applicable). At the time of your order, Tektronix will determine the part number revision level needed for your product, based on the information you provide.

Module Servicing

Modules can be serviced by selecting one of the following three options. Contact your local Tektronix service center or representative for repair assistance.

Module Exchange. In some cases you may exchange your module for a remanufactured module. These modules cost significantly less than new modules and meet the same factory specifications. For more information about the module exchange program, call 1-800-833-9200. Outside North America, contact a Tektronix sales office or distributor; see the Tektronix web site for a list of offices: www.tektronix.com

Module Repair and Return. You may ship your module to us for repair, after which we will return it to you.

New Modules. You may purchase replacement modules in the same way as other replacement parts.

Using the Replaceable Parts List

This section contains a list of the mechanical and/or electrical components that are replaceable for the TG700. Use this list to identify and order replacement parts. The following table describes each column in the parts list.

Parts list column descriptions

Column	Column name	Description
1	Figure & Index Number	Items in this section are referenced by figure and index numbers to the exploded view illustrations that follow.
2	Tektronix Part Number	Use this part number when ordering replacement parts from Tektronix.
3 and 4	Serial Number	Column three indicates the serial number at which the part was first effective. Column four indicates the serial number at which the part was discontinued. No entries indicates the part is good for all serial numbers.
5	Qty	This indicates the quantity of parts used.
6	Name & Description	An item name is separated from the description by a colon (:). Because of space limitations, an item name may sometimes appear as incomplete. Use the U.S. Federal Catalog handbook H6-1 for further item name identification.
7	Mfr. Code	This indicates the code of the actual manufacturer of the part.
8	Mfr. Part Number	This indicates the actual manufacturer's or vendor's part number.

Abbreviations

Abbreviations conform to American National Standard ANSI Y1.1-1972.

**Mfr. Code to Manufacturer
Cross Index**

The table titled Manufacturers Cross Index shows codes, names, and addresses of manufacturers or vendors of components listed in the parts list.

Manufacturers cross index

Mfr. code	Manufacturer	Address	City, state, zip code
S3109	FELLER	72 VERONICA AVE UNIT 4	SUMMERSET NJ 08873
TK0191	SONY/TEKTRONIX	PO BOX 5209 TOKYO INTERNATIONAL	TOKYO JAPAN 100-31
TK2432	UNION ELECTRIC	15/F #1, FU-SHING N. ROAD	TAIPEI, TAIWAN ROC
2W733	BELDEN CORPORATION	2200 US HIGHWAY 27 SOUTH PO BOX 1980	RICHMOND IN 47375-0010
80009	TEKTRONIX INC	14150 SW KARL BRAUN DR PO BOX 500	BEAVERTON, OR 97077-0001

Replaceable parts list

Fig. & index number	Tektronix part number	Serial no. effective	Serial no. discont'd	Qty	Name & description	Mfr. code	Mfr. part number
10-1-1	390-A086-00			1	CABINET, TOP: ASSY	80009	
-2	211-A245-00			2	SCREW, MACHINE; M3X6MM L, PNH, STL, NI PL, CROSS REC, W/KOGATAMARU & LOCK WASHER	80009	
-3	348-A128-00			15	SHLD GASKET, ELEK: FINGER TYPE, 5.1MMX6.4MM W, BE-CU [97-645-02]	80009	
-4	351-0104-03			1	SL SECT, DWR EXT: 12.625 L, W/O HARDWARE SAFETY	80009	
-5	212-A041-00			8	SCREW, MACHINE; M4X8MM L, PNH, STL, NI PL, CROSS REC, W/KOGATAMARU & LOCK WASHER	80009	
-6	211-A245-00			7	SCREW, MACHINE; M3X6MM L, PNH, STL, NI PL, CROSS REC, W/KOGATAMARU & LOCK WASHER	80009	
-7	161-0216-00			1	CABLE ASSY, PWR, :3, 18 AWG, 2.5M L, BLACK, SAFETY CONTROLLED (STANDARD ACCESSORY)	80009	

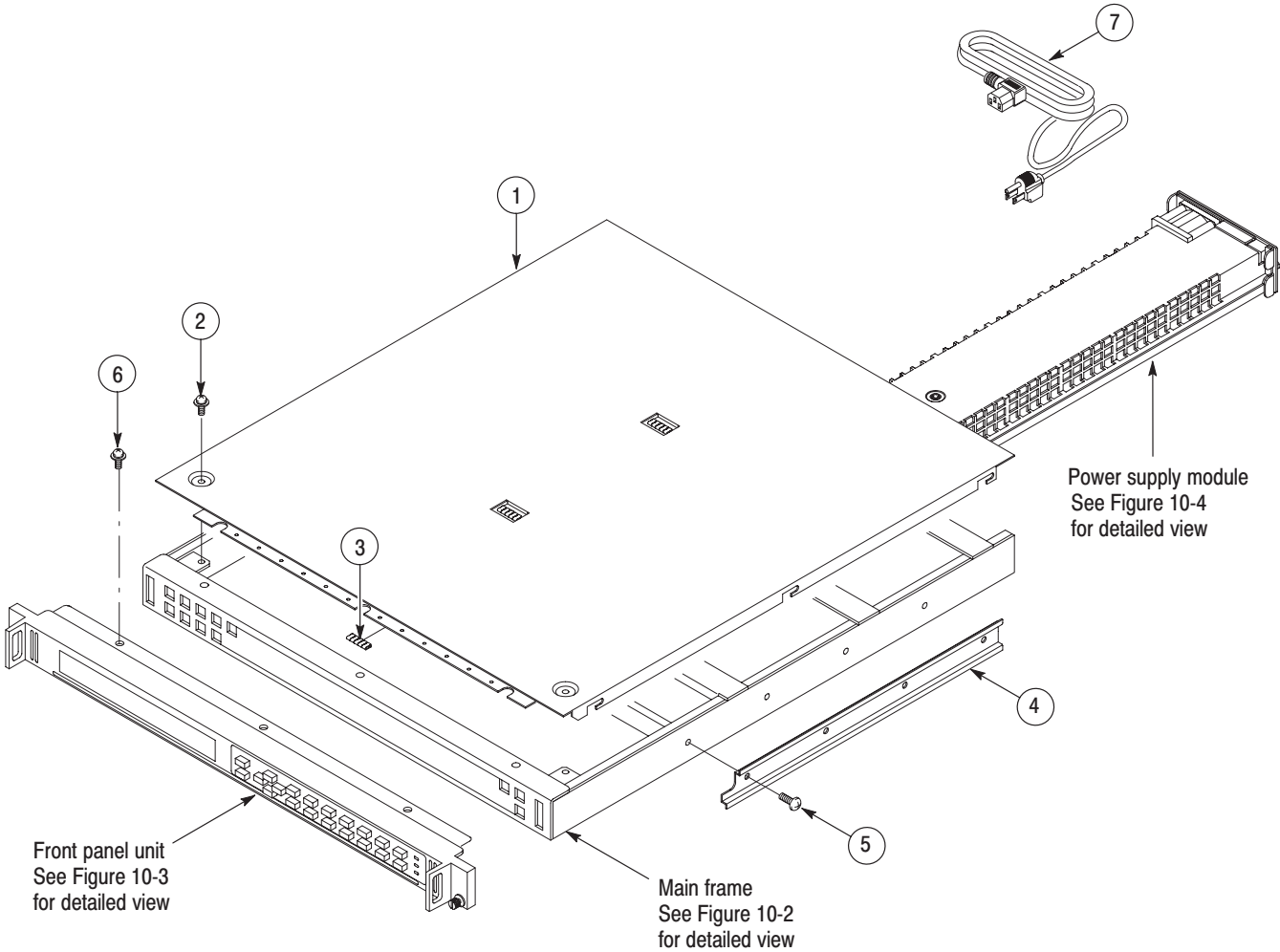


Figure 10-1: Main chassis

Replaceable parts list

Fig. & index number	Tektronix part number	Serial no. effective	Serial no. discount'd	Qty	Name & description	Mfr. code	Mfr. part number
10-2	116-A009-01			1	EXCHANGE MODULE:TG700	80009	
	116-A010-01			1	EXCHANGE MODULE:TG700-FP	80009	
10-2-1	441-A262-00			1	CHASSIS,MAIN:ASSY	80009	
-2	671-B079-03			1	CIRCUIT BD ASSY:A10 MAIN,389-B031-XX WIRED	80009	
	671-B094-03			1	CIRCUIT BD ASSY:A10 MAIN,OPT,389-B031-XX WIRED	80009	
-3	211-A245-00			8	SCREW,MACHINE:M3X6MM L,PNH,STL,N1 PL,CROSS REC,W/KOGATAMARU&LOCK WASHER	80009	
-4	348-A130-00			96 CM	GASKET,SHIELD:CONDUCTIVE URETHANE FORM STRIP,5MM WX0.5MM T,WITHOUT ADHESIVE	80009	
-5	348-A132-00			24 CM	GASKET,SHIELD:CONDUCTIVE URETHANE FORM STRIP,7MM WX1MM T,W/ADHESIVE	80009	
-6	348-A132-00			42 CM	GASKET,SHIELD:CONDUCTIVE URETHANE FORM STRIP,7MM WX1MM T,W/ADHESIVE	80009	
-7	348-A559-00			1	MARKER,IDENT:MKD WARNING	80009	
-8	334-1378-03			1	MARKER,IDENT:MKD SERIAL NO. FOR SONY/TEK	80009	
-9	348-A133-00			20 CM	GASKET,SHIELD:CONDUCTIVE URETHANE FORM STRIP,5.5MM WX13MM T,W/ADHESIVE	80009	

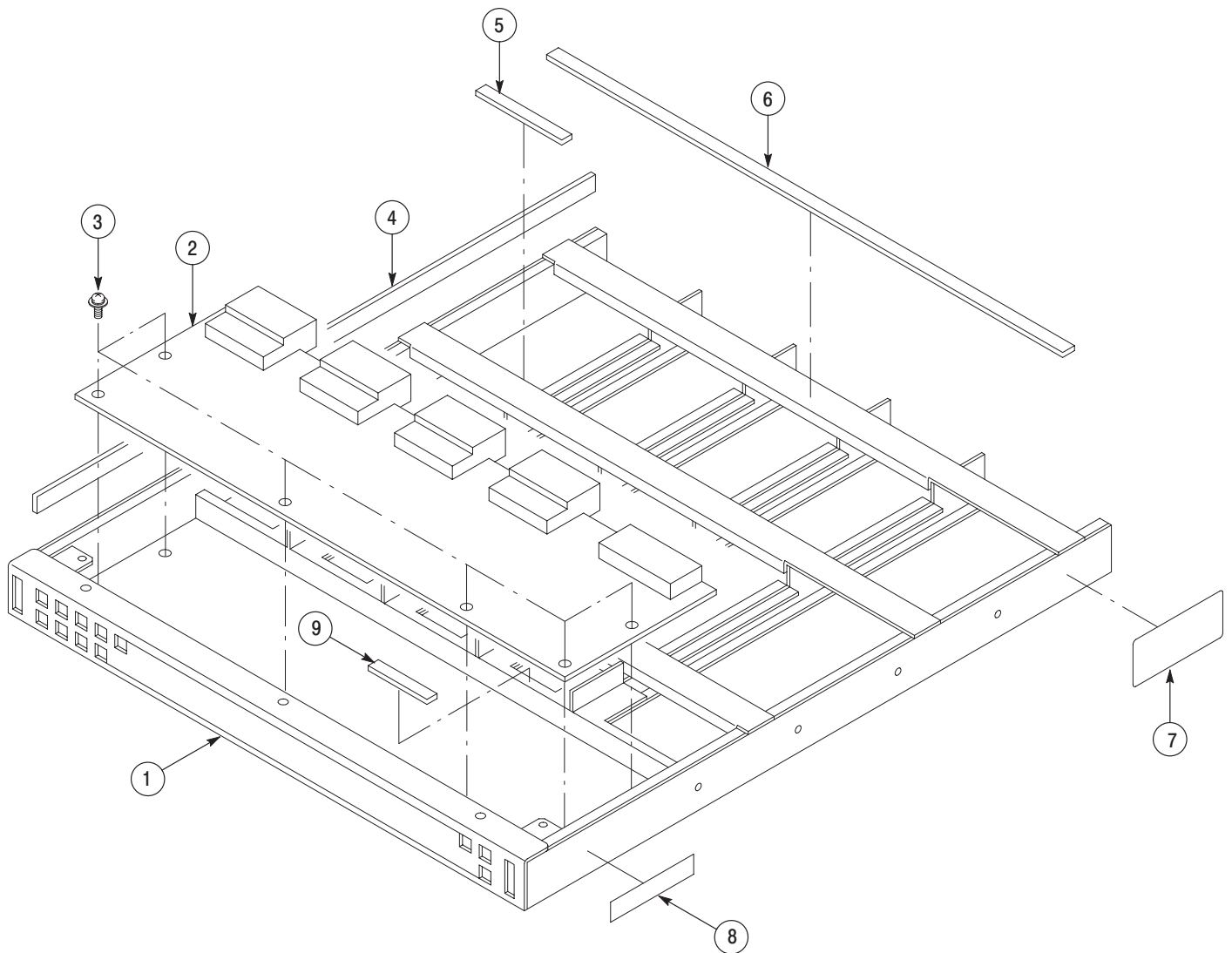


Figure 10-2: Main frame

Replaceable parts list

Fig. & index number	Tektronix part number	Serial no. effective	Serial no. discont'd	Qty	Name & description	Mfr. code	Mfr. part number
10-3-1	426-A165-00			1	FRAME,FRONT:ASSY	80009	
-2	119-B053-00			1	LCD MODULE:LCD W/CONN	80009	
-3	211-A245-00			4	SCREW,MACHINE:M3X6MM L,PNH,STL,NI PL,CROSS REC,W/KOGATAMARU & LOCK WASHER	80009	
-4	200-A513-01			1	COVER,FRONT:PC,CONDUCTIVE COATED,TG700	80009	
-5	378-A047-01			1	FILTER,LCD:ACRYLIC,TG700	80009	
-6	333-A400-01			1	PANEL,FRONT:LEXAN,TG700	80009	
-7	213-A245-00			1	THUMBSCREW:10-32UNFX21.6MM L,10.3MM OD HD,STL,W/NYLON WASHER	80009	
-8	361-A174-00			1	SPACER,8MM ODX3MM L,POLYACETATE,HIROSUGI KEIKI,CZ-503	80009	
-9	354-A054-00			1	RING,RETAINING:EXT TYPE-E,U/O 3.0 MM DIA GROOVE,SST [1110201-11040]	80009	
-10	260-A147-00			1	SWITCH,RUBBER:SILICON,TG700	80009	
-11	213-1127-00			4	SCREW,TPG:M3X8MM L,PNH,STL,BLK ZN PL,CROSS REC [PTP3X8ZB]	80009	
-12	213-1127-00			2	SCREW,TPG:M3X8MM L,PNH,STL,BLK ZN PL,CROSS REC [PTP3X8ZB]	80009	
-13	174-B790-00			1	CA ASSY,SP,ELEC:16,28AWG,20CM L,FLAT	80009	
-14	174-B791-00			1	CA ASSY,SP,ELEC:14,28AWG,15CM L,FLAT	80009	
-15	671-B082-00			1	CIRCUIT BOARD ASSY:A20 FRONT KEY,389-B032-XX WIRED	80009	
-23	348-A120-00			33 CM	GASKET SHIELD:CONDUCTIVE URETHANE FORM,2MMX4MM,W/ADHESIVE [E02S040020]	80009	
-24	348-A132-00			8 CM	GASKET,SHIELD:CONDUCTIVE URETHANE FORM STRIP,7MMWX1MMT,W/ADHESIVE TAPE	80009	

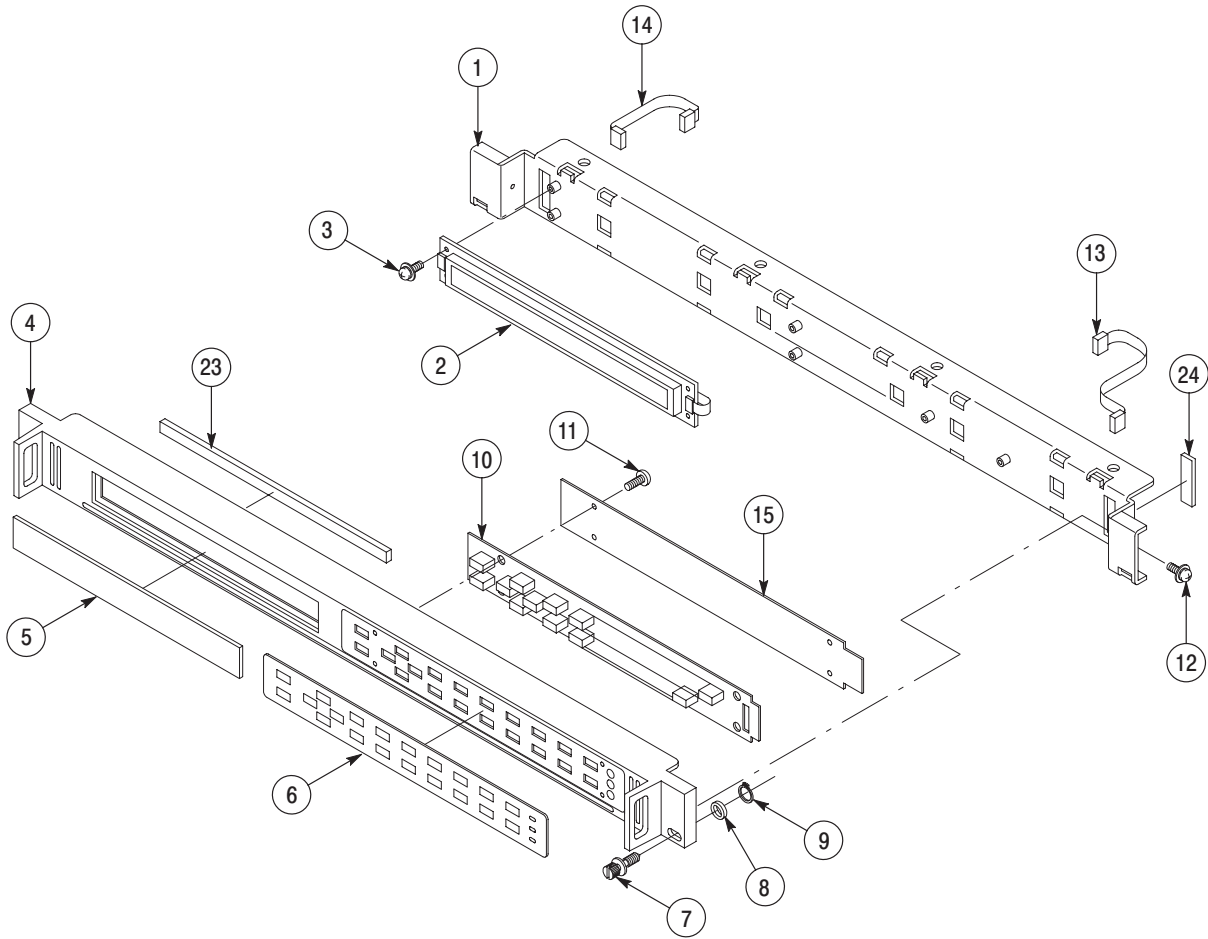


Figure 10-3: Front panel unit

Replaceable parts list

Fig. & index number	Tektronix part number	Serial no. effective	Serial no. discount'd	Qty	Name & description	Mfr. code	Mfr. part number
10-4	650-A810-00			1	COMPONENT KIT POWER SUPPLY W/CARTON,TG700	80009	
10-4-1	441-A263-00			1	CHASSIS,P/S:ASSY	80009	
-2	333-A041-00			1	PANEL,REAR:POWER SUPPLY,AL	80009	
-3	211-A256-00			4	SCREW,MACHINE:M3X40MM L,PNH,STL,NI PL,CROSS REC,W/KOGATAMARU & LOCK WASHER	80009	
-4	131-4131-00			1	CONN,PLUG,ELEC:MALE W/LOCKING ADPTR,EXT MTG	80009	
-5	211-A266-00			2	SCREW,MACHINE:M3X12MM L,PNH,STL,NI PL,CROSS REC,W/KOGATAMARU & LOCK WASHER	80009	
-6	213-1129-00			2	SCREW,MACHINE:M2.5X11MM L,PAN HD,STL,NI PL,CROSS REC & SLOTTED [322401-05]	80009	
-7	214-4946-00			2	SPRING,CONICAL:VXI MOUNTING SCREW,0.26 MM SUS304,5.4MML	80009	
-8	119-1536-00			1	FILTER,RFI:3A,250VAC,0.5MA,0.150HM,50/60HZ [ZUB2203-00]	80009	
-9	119-B059-00			1	FAN,TUBE AXIAL:119-B055-00 W/CONN,10CML	80009	
-10	220-A172-01			1	NUT,PLATE:POWER SUPPLY FAN,AL	80009	
-11	220-0193-00			1	NUT,PLAIN,HEX:M4X7MM HEX,STL,ZN-C	80009	
-12	210-0008-00			1	WASHER,LOCK:#8 INTL,0.02 THK,STL CD PL	80009	
-13	119-B054-00			1	POWER SUPPLY:INPUT 85-264VAC,OUTPUT 5VDC,20A [LEA100F-5]	80009	
-14	342-A142-01			1	INSULATOR,PLATE:POWER SUPPLY,PC	80009	
-15	671-B083-00			1	CIRCUIT BOARD ASSY:A30 POWER CONNECT,389-B033-XX WIRED	80009	
-16	211-A245-00			11	SCREW,MACHINE:M3X6MM L,PNH,STL,NI PL,CROSS REC,W/KOGATAMARU & LOCK WASHER	80009	
-17	200-A514-00			1	COVER,TOP:POWER SUPPLY,AL	80009	
-18	174-B787-00			1	CA ASSY,SP,ELEC:0-N 9-N,10CM L	80009	
-19	174-B789-00			1	CA ASSY,SP,ELEC:10,28AWG,30CM L,FLAT	80009	
-20	174-B788-00			1	CA ASSY,SP,ELEC:8,18AWG,10CM L,2-N	80009	
-21	671-B084-00			1	CIRCUIT BOARD ASSY:A40 LAN CONNECT,389-B034-XX WIRED	80009	
-22	334-1378-03			1	MARKER,IDENT:MKD SERIAL NO. FOR SONY/TEK	80009	

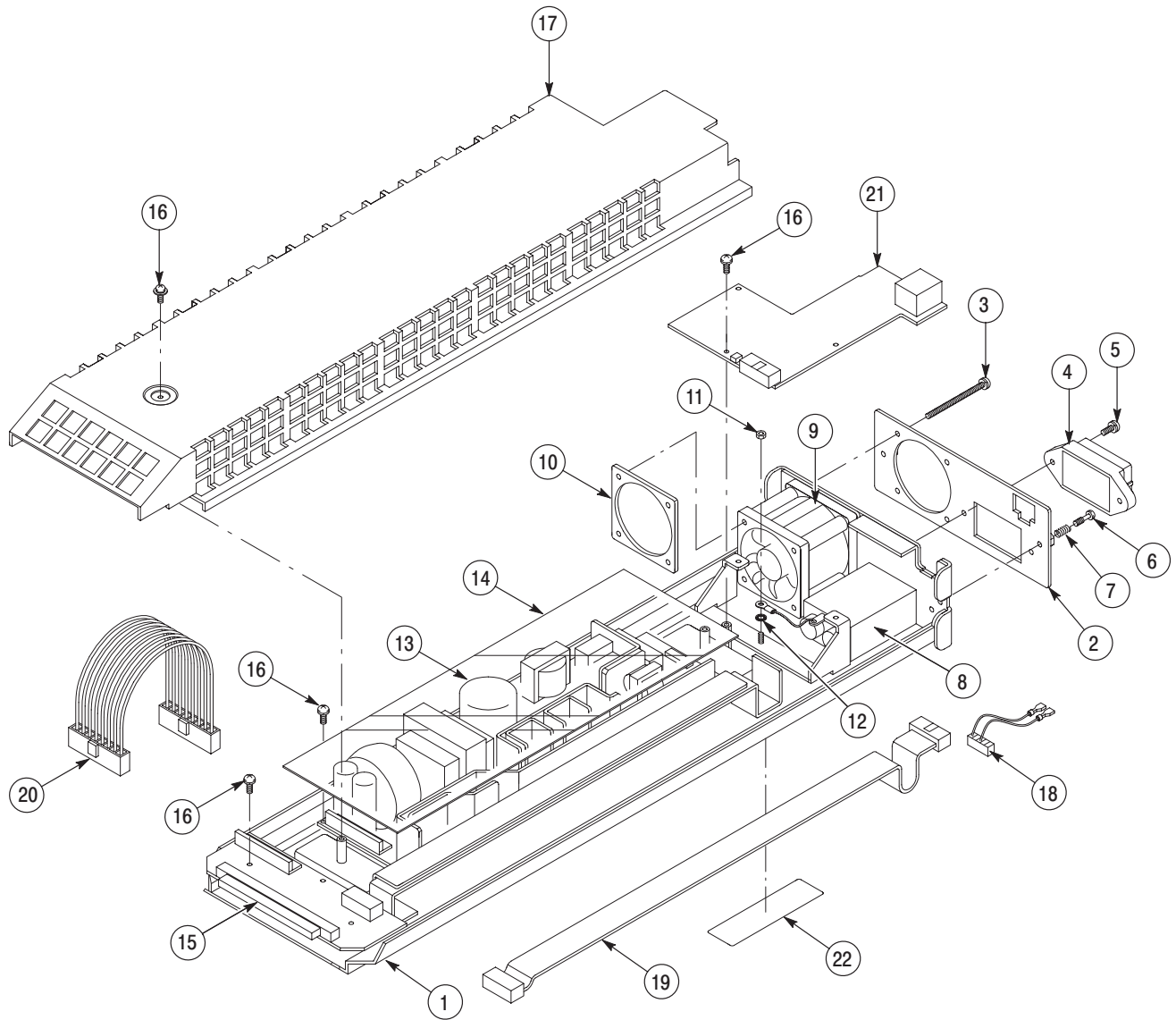


Figure 10-4: Power supply module

Replaceable parts list

Fig. & index number	Tektronix part number	Serial no. effective	Serial no. discont'd	Qty	Name & description	Mfr. code	Mfr. part number
10-5	614-A021-00			1	PANEL,BLANK ASSY TG700,W/GASKET&LOCK SCREW	80009	
10-5-1	333-A411-00			1	CHASSIS,MODULE BLANK:ASSY	80009	
-2	214-4946-00			2	SPRING,CONICAL:VXI MOUNTING SCREW,0.26MM SUS304,5.4MM L	80009	
-3	213-1129-00			2	SCREW,MACHINE:M2.5X11MM L,PAN HD,STL,NI PL,CROSS REC & SLOTTED [322401-05]	80009	
-4	348-A128-00			2.5 CM	SCREW,MACHINE:M2.5X11MM L,PAN HD,STL,NI PL,CROSS REC & SLOTTED [322401-05]	80009	

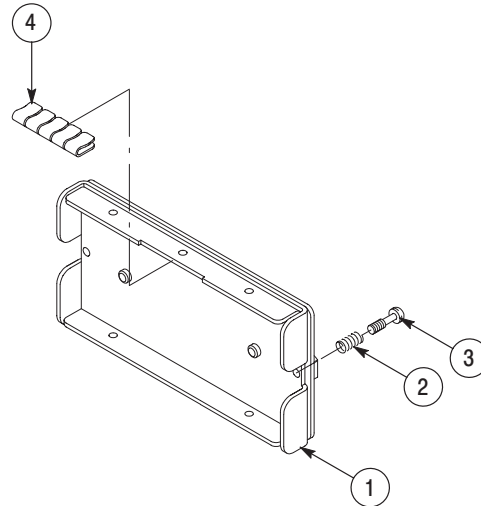


Figure 10-5: Blank panel

Replaceable parts list

Component number	Tektronix part number	Serial no. effective	Serial no. discontinued	Qty	Name & description	Mfr. code	Mfr. part number
STANDARD ACCESSORIES							
	351-0859-00			1	TRK SL OUT SECT:STATIONARY & INTERMEDIATESAFETY CONTROLLED	TK0191	
	062-A249-XX			1	SOFTWARE PACKAGE:SW(CD-R).SAMPLE WAVEFORM,APPLI	TK0191	
	070-A799-XX			1	MANUAL,TECH:USERS	TK0191	
	161-0216-00			1	CABLE ASSY,PWR,:3,18 AWG,2.5M L,BLACK (STANDARD ONLY)	80009	
OPTIONAL ACCESSORIES							
	614-A021-00			1	BLANK PANEL	80009	
	070-A800-XX			1	MANUAL,TECH:SERVICE,TG700	TK0191	

Mechanical Parts List

Service Manual



AG7 Audio Generator

Copyright © Tektronix, Inc. All rights reserved.

Copyright © Sony/Tektronix Corporation. All rights reserved.

Printed in Japan.

Sony/Tektronix Corporation, 5-9-31 Kitashinagawa, Shinagawa-ku, Tokyo 141-0001 Japan

Tektronix, Inc., P.O. Box 500, Beaverton, OR 97077

TEKTRONIX and TEK are registered trademarks of Tektronix, Inc.

Table of Contents

Preface	v
Manual Structure	v
Related Manual	vi
Contacting Tektronix	vi

Specifications

Specifications	1-1
Product Description	1-1
Electrical Characteristics	1-2
Environmental Characteristics	1-3

Operating Information

Operating Instructions	2-1
Operation Procedure	2-1
AG7 Module Main Menu	2-2

Theory of Operation

Theory of Operation	3-1
----------------------------------	------------

Performance Verification

Performance Verification	4-1
Preparation for Performance Verification	4-1
Equipment Required	4-1
Calibration Data Report	4-2
Performance Verification Procedures	4-3

Adjustment Procedures

Adjustments	5-1
--------------------------	------------

Maintenance

Maintenance	6-1
Preparation	6-1
Inspection and Cleaning	6-3
Repackaging Instructions	6-3
Removal and Replacement	6-5
Tools Required	6-5
Replacing the Rear Panel Connectors and Chassis	6-5
Troubleshooting	6-7
Equipment Required	6-7
Backing up the instrument settings	6-7
Troubleshooting Trees	6-8

Option

Option	7-1
Option D1 Description	7-1

Replaceable Electrical Parts

Replaceable Electrical Parts	8-1
---	------------

Diagram

Diagram	9-1
----------------------	------------

Mechanical Parts List

Mechanical Parts List	10-1
Parts Ordering Information	10-1
Using the Replaceable Parts List	10-2

List of Figures

Figure 2–1: AG7 module main menu	2–2
Figure 2–2: CHANNEL submenu	2–3
Figure 2–3: AUDIO TIMING submenu	2–3
Figure 2–4: Location of J452 connector pin	2–4
Figure 3–1: Simplified block diagram of the AG7 Generator module	3–2
Figure 4–1: Initial equipment connection for verifying the serial digital audio outputs	4–4
Figure 4–2: Second equipment connection for verifying the serial digital audio outputs	4–5
Figure 4–3: Equipment connection for verifying the 48 kHz clock output	4–6
Figure 6–1: Troubleshooting procedure (1)	6–8
Figure 6–2: Troubleshooting procedure (2)	6–9
Figure 9–1: AG7 Generator module connections	9–1
Figure 10–1: AG7 Generator module exploded view	10–4

List of Tables

Table 1–1: AES/EBU serial digital audio outputs	1–2
Table 1–2: SILENCE output	1–2
Table 1–3: 48 kHz CLOCK output	1–2
Table 1–4: Output timing	1–3
Table 1–5: Environmental characteristics	1–3
Table 4–1: Equipment required for Performance Verification	4–1
Table 4–2: AG7 Calibration Data Report	4–2
Table 6–1: Required tools	6–5
Table 6–2: Equipment required for troubleshooting	6–7

Preface

This is the service manual for the AG7 Audio Generator module. This manual contains information needed to service an AG7 Generator module to the module level.

Manual Structure

This manual is divided into sections, such as the *Specifications* and *Theory of Operation*. Further, some sections are divided into subsections, such as *Product Description* and *Removal and Installation Procedures*.

Sections containing procedures also contain introductions to those procedures. Be sure to read these introductions because they provide information needed to do the service correctly and efficiently. The following are a brief descriptions of each manual section.

- *Specifications* contains a description of the AG7 Generator module and the characteristics that apply to it.
- *Operating Information* provides basic operating information.
- *Theory of Operation* is an overview of the module's design.
- *Performance Verification* contains procedures to perform the operation tests.
- *Adjustments* contains a statement explaining that no adjustment is needed for the AG7 Generator module.
- *Maintenance* contains removal and replacement, and troubleshooting instructions.
- *Option* contains a description of available option for the AG7 Generator module.
- *Replaceable Electrical Parts* for the module level are included in the Replaceable Mechanical Parts list.
- *Diagram* contains interconnect diagram showing the connections between the AG7 Generator module and the mainframe.
- *Replaceable Mechanical Parts* lists the part numbers for replacement parts that you can order. Exploded view illustrations help you to identify the parts.

Related Manual

The following document is related to the AG7 Generator module.

- The *TG700 TV Signal Generator Platform User Manual* (Tektronix part number 070-A799-XX) describes how to use the TG700 mainframe and all modules. It also contains information about remote commands and programming structure for the TG700 mainframe and all modules.

Contacting Tektronix

Phone	1-800-833-9200*
Address	Tektronix, Inc. Department or name (if known) 14200 SW Karl Braun Drive P.O. Box 500 Beaverton, OR 97077 USA
Web site	www.tektronix.com
Sales support	1-800-833-9200, select option 1*
Service support	1-800-833-9200, select option 2*
Technical support	Email: techsupport@tektronix.com 1-800-833-9200, select option 3* 1-503-627-2400 6:00 a.m. – 5:00 p.m. Pacific time

- * **This phone number is toll free in North America. After office hours, please leave a voice mail message. Outside North America, contact a Tektronix sales office or distributor; see the Tektronix web site for a list of offices.**



Specifications

Specifications

This section contains a general product description of the AG7 Generator module followed by the operating specifications of the module.

Product Description

The AG7 Generator module is designed to be installed in the TG700 TV Signal Generator Platform.

The module can output serial digital audio signals that comply with the AES/EBU standard. The module contains the following features:

- 8 channels (4 AES/EBU audio pairs) of serial digital audio outputs with 24 or 20 bits resolution
- Frequencies, amplitudes, and audio clicks are adjustable in every channel
- Silence and 48 kHz clock (word clock) outputs
- Full remote control using Ethernet interface

The module also supports the following audio frequencies:

Silence	500 Hz	2000 Hz	8000 Hz
50 Hz	600 Hz	2400 Hz	9600 Hz
100 Hz	750 Hz	3000 Hz	10000 Hz
150 Hz	800 Hz	3200 Hz	12000 Hz
200 Hz	1000 Hz	4000 Hz	15000 Hz
250 Hz	1200 Hz	4800 Hz	16000 Hz
300 Hz	1500 Hz	5000 Hz	20000 Hz
400 Hz	1600 Hz	6000 Hz	

Electrical Characteristics

Tables 1–1 through 1–4 list the electrical characteristics of the AG7 Generator module.

Table 1-1: AES/EBU serial digital audio outputs

Characteristic	Performance requirements	Reference information
Connector	4	BNC
Number of channels	8	1+2, 3+4, 5+6, and 7+8
Quantized resolution	20 or 24 bits	User selectable
Audio tone		
Frequency	Silence to 20 kHz	31 discrete settings
Level	0 to -60 dBFS in 1 dB steps	
Pre-emphasis		None
Output level	1 ± 0.1 V	Measured across 75 Ω .
Required receiver termination	75 $\Omega \pm 10$ %	
Jitter	Within ± 20 %	
Rise and fall times	Between 30 ns and 44 ns	Measured from the 10 % to 90 % points.

Table 1-2: SILENCE output

Characteristic	Performance requirements	Reference information
SILENCE		Same signal as AES/EBU Serial Digital Audio "Silence".
Connector		BNC
Output level	1 ± 0.1 V	Measured across 75 Ω .
Required receiver termination	75 $\Omega \pm 10$ %	
Jitter	Within ± 20 %	
Rise and fall times	Between 30 ns and 44 ns	Measured from the 10 % to 90 % points.

Table 1-3: 48 kHz CLOCK output

Characteristic	Performance requirements	Reference information
48 kHz CLOCK		Reference Clock for AES/EBU Serial Digital Audio.
Connector		BNC

Table 1-3: 48 kHz CLOCK output (cont.)

Characteristic	Performance requirements	Reference information
Output level		User selectable by the internal jumper. Level 1 is selected at the factory.
Level 1	CMOS compatible	High > 2.1 V, Low < 0.8 V
Level 2	1 ± 0.1 V	Measured across 75 Ω.

Table 1-4: Output timing

Characteristic	Performance requirements	Reference information
Range	± 160 ms	Relative to the frame reset signal.
Resolution	1 μs	

Environmental Characteristics

Table 1-5 lists the environmental characteristics of the AG7 Generator module.

Table 1-5: Environmental characteristics

Characteristic	Description
Temperature	
Operating	0° C to +50° C
Nonoperating	-20° C to +60° C
Relative Humidity	
Operating	20% to 80% (No condensation) ; Maximum wet-bulb temperature 29.4° C
Nonoperating	5% to 90% (No condensation) ; Maximum wet-bulb temperature 40.0° C
Altitude	
Operating	To 4.5 km (15,000 feet) Maximum operating temperature decreases 1° C each 300 m above 1.5 km.
Nonoperating	To 15 km (50,000 feet)
Vibration	
Operating	3.04 m/s ² (0.31 G _{rms}), 5 to 500 Hz, 10 min, three axes
Nonoperating	23.3 m/s ² (2.38 G _{rms}), 5 Hz to 500 Hz, 10 min, three axes
Shock	
Nonoperating	294 m/s ² (30 G), half-sine, 11 ms duration



Operating Information

Operating Instructions

Before servicing the AG7 Generator module, read the following operating instructions. These instructions are at the level appropriate for servicing the AG7 Generator module. The user manual contains complete operator instructions.

This section provides the following information:

- Operation Procedure
- AG7 Module Main Menu

Operation Procedure

After the module is installed in the mainframe, and the mainframe is installed in the rack or other location where it will be used, access each function of the module with the following procedure:

1. Connect the power connector on the rear panel and AC electric power source using the power cord.

Electric power is supplied to the main frame.

2. Wait until the power up initialization process is complete, and check that there are no error messages on the display.
3. Following the initialization process the mainframe main menu appears, as shown below.



TG700 : PRESET

4. Press the front-panel **MODULE** button until the AG7 module main menu appears, as shown below.



AG7 [x] : CHANNEL PARAMETERS
Channel 1

5. Use the front-panel arrow buttons to navigate and select items in the main menu and submenus.

The details of the main menu and submenus are explained on the following pages.

AG7 Module Main Menu

You can select the audio channel whose parameters are to be changed, set the audio data resolution, select the frame reset signal to be synchronized, and adjust the timing offset for the audio signal outputs, using the AG7 module main menu.

Use the up (▲) or down (▼) arrow button to scroll through the main menu. Figure 2-1 shows the AG7 module main menu.

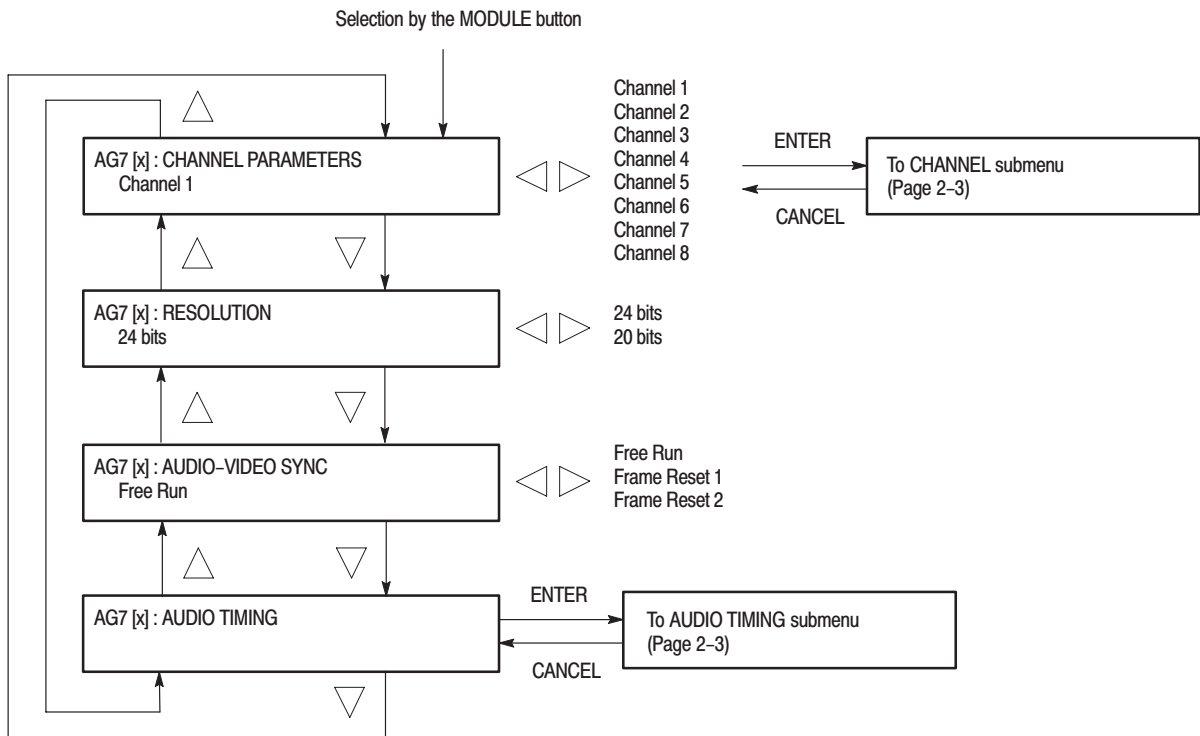


Figure 2-1: AG7 module main menu

CHANNEL Submenu This menu allow you to set the frequency, amplitude, and audio click of the selected audio channel. Use the up (▲) or down (▼) arrow button to scroll through the menu items. Figure 2–2 shows the CHANNEL sabmenu.

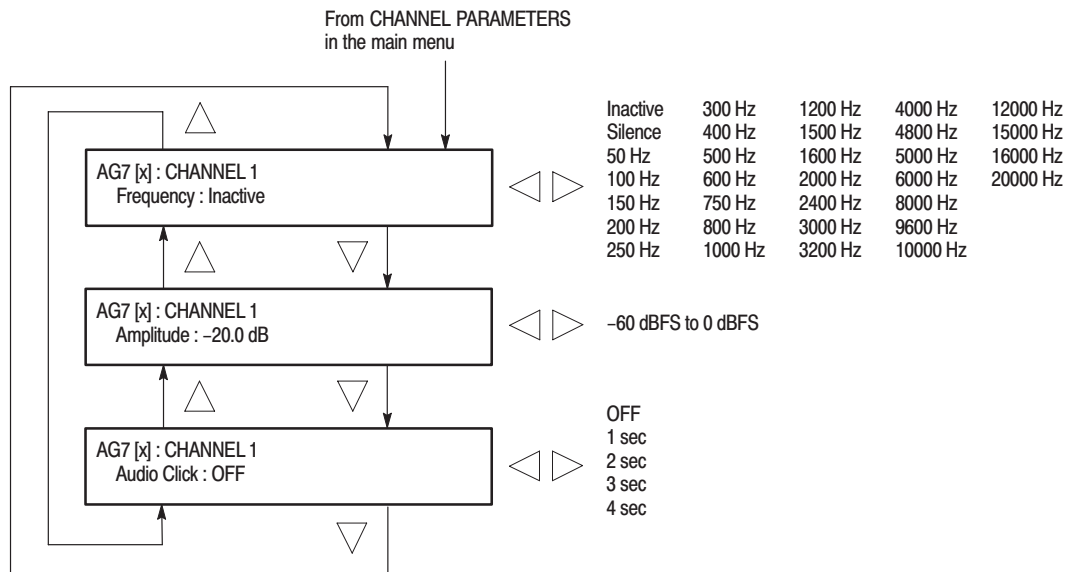


Figure 2–2: CHANNEL submenu

AUDIO TIMING Submenu This menu allow you to adjust the timing offset of the audio signal outputs relative to the genlock signal or the internal reference signal. Figure 2–3 shows the AUDIO TIMING submenu.



Figure 2–3: AUDIO TIMING submenu

Setting the Clock Output Level

The output level of the 48 kHz clock signal can be set to either a CMOS compatible level or 1 V. This feature is available through jumper **J452** on the circuit board. Figure 2-4 shows the location of **J452**.

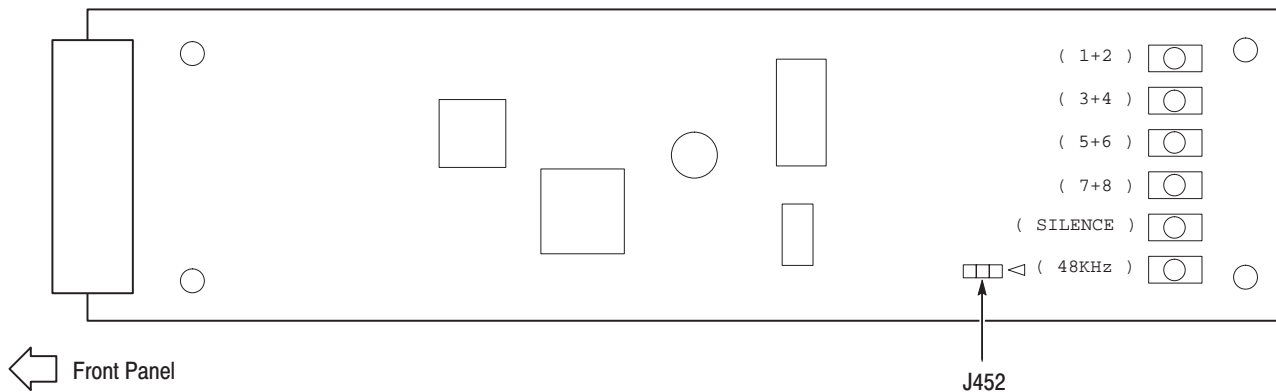


Figure 2-4: Location of J452 connector pin

When you place the jumper on pins 3-4 of J452, the clock signal output level is CMOS compatible. The jumper is placed in this position when the module is shipped.

When you move the jumper to pins 1-2 of J452, the clock signal output level is set to 1V.



Theory of Operation

Theory of Operation

This section describes the basic operation of the major circuit blocks in the AG7 Generator module.

For information about the TG700 mainframe, refer to the *TG 700 TV Signal Generator Platform Service Manual*.

Bus Interface This block provides the communication between the mainframe and the module circuit.

Audio Memory This block contains 20/24 bits audio data for all of the serial audio outputs.

Audio Data Controller and 48 kHz Decoder The block is a part of the FPGA. It receives audio data from the Audio Memory and encodes these data to serial audio data stream that comply with the AES/EBU standard. It also generates 48 kHz clock signal.

Channel Buffers (1+2, 3+4, 5+6, 7+8, and Silence) These blocks receive the digital audio data from the FPGA and set the output amplitude to the specified level.

48 kHz Clock Buffer The block outputs 48 kHz clock signal. The output level of the clock signal can be set to either a CMOS compatible level or 1V. This feature is available through jumper J452 on the circuit board.

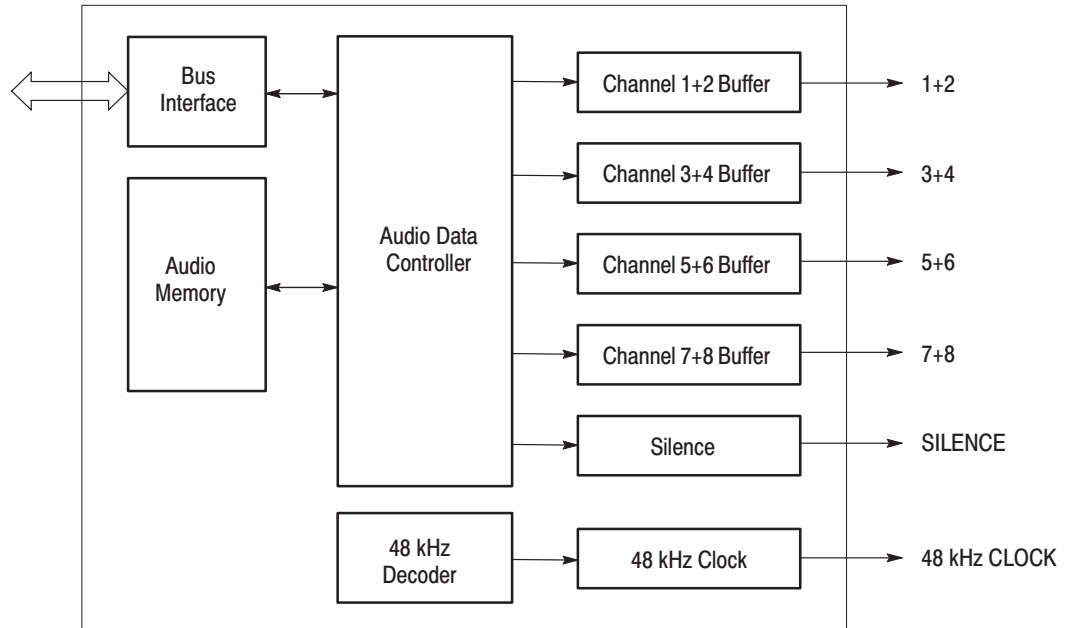


Figure 3-1: Simplified block diagram of the AG7 Generator module



Performance Verification

Performance Verification

This section provides procedures that verify the performance and functionality of the AG7 Generator module.

Preparation for Performance Verification

Perform the following before performing the performance verification procedures:

Power On Default Settings

Before you begin the performance verification procedures, make sure that the required instrument settings are saved in the Power On Default preset.

If the instrument settings are saved in the Power On Default preset, you can recall the settings after the performance verification procedures is completed by turning off and on the power.

Warm up

The AG7 Generator module and test equipment must have had a warm-up period of at least 20 minutes.

Equipment Required

Table 4–1 lists the equipment required for the procedures.

Table 4–1: Equipment required for performance verification

Item	No.	Minimum requirements	Recommended equipment
Digital Audio Monitor	1		Tektronix 764
Oscilloscope	1	Bandwidth: 200 MHz or higher	Tektronix TDS540D
75 Ω BNC cable	1	Length: 42 inches	Tektronix part no. 012-0074-00
75 Ω feed-through terminator	1		Tektronix part no. 011-0103-02
75 Ω coax terminator	1		Tektronix part no. 011-0102-01

Calibration Data Report

Photocopy this form and use it to record the performance test results.

Table 4-2: AG7 calibration data report

Serial Number:	Cal Date:	Temperature:	Humidity:	
Step	Function Tested	Minimum	Cal Data	Maximum
1.	AES/EBU Serial Digital Audio Output Level			
	1+2	900 mV	mV	1100 mV
	3+4	900 mV	mV	1100 mV
	5+6	900 mV	mV	1100 mV
	7+8	900 mV	mV	1100 mV
2.	SILENCE Output Level	900 mV	mV	1100 mV
3.	48 kHz Clock Output Level (CMOS compatible)			
	High	2.1V	OK	
	Low		OK	0.8V

Performance Verification Procedures

Be sure you have performed the *Preparation for Performance Verification* before proceeding.

Performance verification procedures can be performed individually if desired.



WARNING. *Dangerous electric shock hazards exist inside the TG700 mainframe. Only qualified service personnel should perform these procedures.*

Serial Digital Audio Outputs

This test verifies that serial digital audio signals are output correctly from the 1+2, 3+4, 5+6, 7+8, and SILENCE connectors. The following equipment is required for this test:

- Oscilloscope
- Digital audio monitor
- 75 Ω BNC cable
- 75 Ω feed-through terminator
- 75 Ω coax terminator

Perform the following procedure to verify that serial digital audio signals are output correctly from the 1+2, 3+4, 5+6, 7+8, and SILENCE connectors.

1. Use the 75 Ω BNC cable and the 75 Ω feed-through terminator to connect the 1+2 connector on the AG7 Generator module to the oscilloscope CH1 input as shown in Figure 4–1.

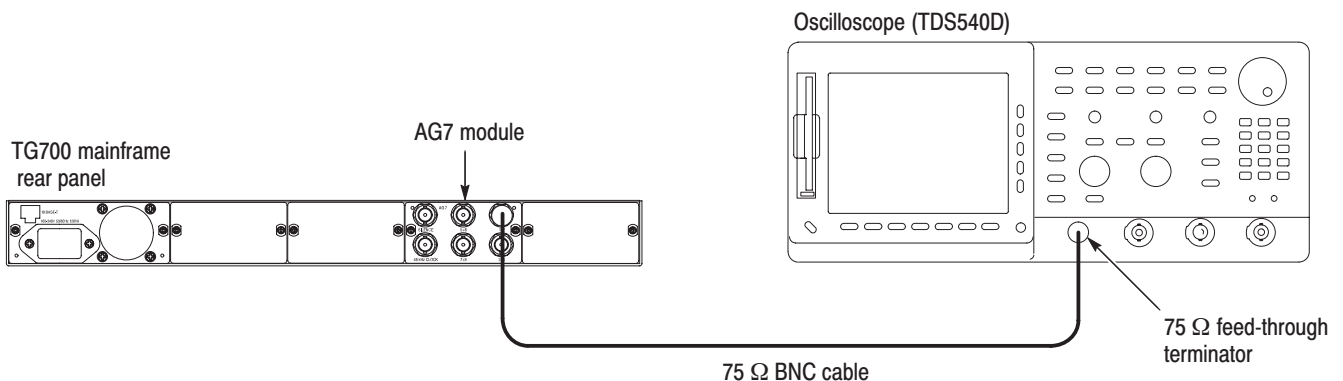


Figure 4–1: Initial equipment connection for verifying the serial digital audio outputs

2. Set the oscilloscope settings as indicated below:

Vertical 200 mV/div
Horizontal 100 ns/div
Acquire menu Sample
Trigger position 50 %
Trigger slope Rising Edge
Input impedance 1 M Ω
Measure Amplitude

3. Recall the Factory Default preset as follows:
 - a. Press the **MODULE** button to display the TG700 main menu.
 - b. Use the up (**▲**) or down (**▼**) arrow button to select **RECALL**.
 - c. Use the left (**◀**) or right (**▶**) arrow button to select **Factory Default**.
 - d. Press the **ENTER** button to recall the factory default settings.
4. Use the oscilloscope to measure that the signal amplitude is within the range of 900 mV to 1100 mV.
5. Change the BNC cable connection from the 1+2 connector to the 3+4 connector on the AG7 Generator module and repeat step 4.
6. Change the BNC cable connection from the 3+4 connector to the 5+6 connector on the AG7 Generator module and repeat step 4.
7. Change the BNC cable connection from the 5+6 connector to the 7+8 connector on the AG7 Generator module and repeat step 4.
8. Change the BNC cable connection from the 7+8 connector to the **SILENCE** connector on the AG7 Generator module and repeat step 4.
9. Change the BNC cable connection from the **SILENCE** connector to the 1+2 connector on the AG7 Generator module.
10. Disconnect the BNC cable and the 75 Ω terminator from the oscilloscope CH1 input connector, and then connect the BNC cable to the CH1–2 BNC connector on the digital audio monitor rear panel as shown in Figure 4–2.
11. Use the 75 Ω coax terminator to terminate the other loop through to the CH1–2 BNC connector on the digital audio monitor rear panel.

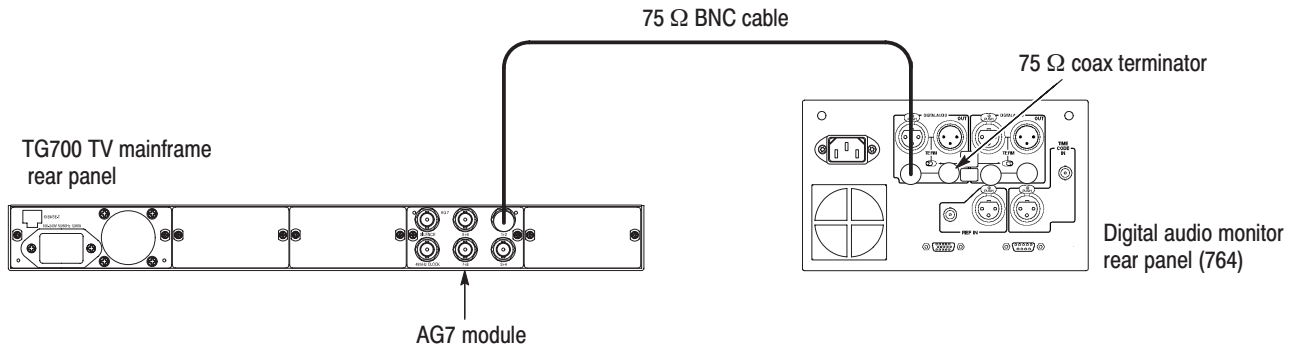


Figure 4-2: Second equipment connection for verifying the serial digital audio outputs

12. On the digital audio monitor front panel, press the **MENU** button to display the menu.
13. Select the **Input** item from the menu, and select **CH1-2 input: BNC-unbalanced** item from the submenu.
14. On the digital audio monitor front panel, press the **CLEAR** button to clear the menu.
15. On the digital audio monitor front panel, press the **CH STATUS** button to display **CHANNEL STATUS** view.
16. In the view, check CRC errors are not displayed.
17. On the digital audio monitor front panel, press the **Audio View** button.
18. Verify that the digital audio monitor bar graphs show both Channel 1 and Channel 2 at -20 dBfs.
19. Change the BNC cable connection from the 1+2 connector to the 3+4 connector on the AG7 Generator module and repeat step 12 to step 18.
20. Change the BNC cable connection from 3+4 connector to 5+6 connector on the AG7 Generator module and repeat step 12 to step 18.
21. Change the BNC cable connection from 5+6 connector to 7+8 connector on the AG7 Generator module and repeat step 12 to step 18.
22. Change the BNC cable connection from 7+8 connector to SILENCE connector on the AG7 Generator module and repeat step 12 to step 18.

48 kHz Clock Output

This test verifies that 48 kHz clock signal are output correctly from the 48 kHz CLOCK connector. The following equipment is required for this test:

- Oscilloscope
- 75 Ω BNC cable
- 75 Ω feed-through terminator

Perform the following procedure to verify that 48 kHz clock signal is output correctly from the 48 kHz CLOCK connector.

1. Use the 75 Ω BNC cable and the 75 Ω feed-through terminator to connect the 48 kHz CLOCK connector on the AG7 Generator module to the oscilloscope CH1 input as shown in Figure 4–3.

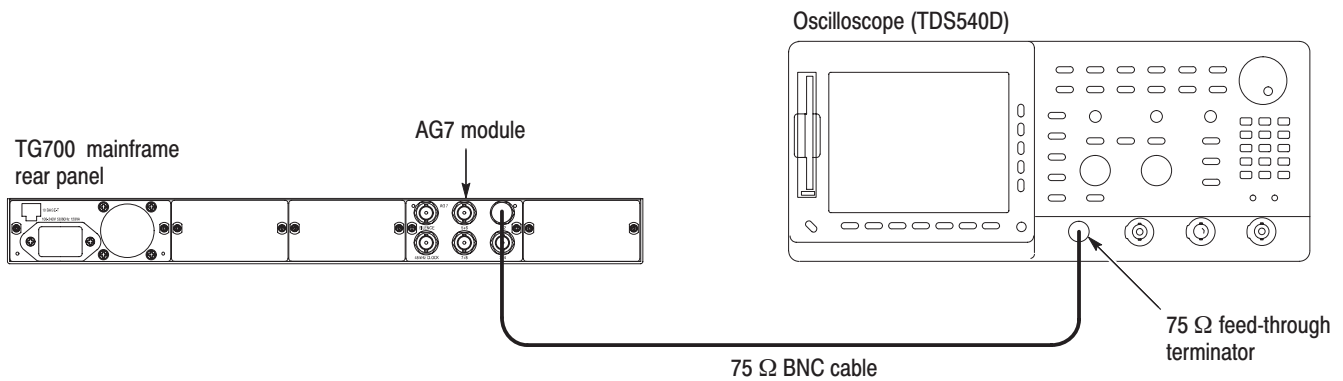


Figure 4-3: Equipment connection for verifying the 48 kHz clock output

2. Set the oscilloscope settings as indicated below:

Vertical 500 mV/div
 Horizontal 10 μ s/div
 Record Length 1000
 Acquire menu Sample
 Trigger position 50 %
 Trigger slope Rising Edge
 Input impedance 1 M Ω
 Measure Amplitude

3. Use the oscilloscope to measure that the signal amplitude is as follows:

Low: < 0.8 V
 High: > 2.1 V

This completes the *Performance Verification* procedure. If you require further assistance, contact your nearest Tektronix Service Center.



Adjustment Procedures



Adjustments

The AG7 Generator module does not require any adjustments.



Maintenance

Maintenance

This section contains instructions and procedures for maintaining the AG7 Generator module. For information on servicing the mainframe, refer to the *TG700 TV Signal Generator Platform Service Manual*.

The following information can be found in this section:

- Preparation page 6–1
- Inspection and Cleaning (preventive maintenance) page 6–3
- Repackaging Instructions page 6–3
- Removal and Replacement page 6–5
- Troubleshooting page 6–7

If the instrument does not function properly, troubleshooting and corrective measures should be taken immediately to prevent additional problems.

NOTE. Contact your local Tektronix representative for information on where to return your instrument if it requires repair during the warranty period.

Preparation

Please read and follow these preparation instructions before attempting to perform any maintenance or service to the instrument.

Servicing Prerequisites

Make sure of the following before beginning any instrument service:

- The maintenance or service of this instrument must be performed by qualified service personnel only.
- Read the *Service Safety Summary* located at the beginning of this manual before attempting to perform any maintenance or service to the instrument.
- Read the *Operating Information* section of this manual before attempting to perform any maintenance or service to the instrument.

Electrostatic Damage Prevention

This instrument contains electrical components that are susceptible to damage from electrostatic discharge. Static voltages of 1 kV to 30 kV are common in unprotected environments.



CAUTION. *Static discharge can damage any semiconductor component in this instrument.*

Observe the following precautions to avoid static damage:

- Minimize handling of static-sensitive components.
- Transport and store static-sensitive components or assemblies in their original containers, on a metal rail, or on conductive foam. Label any package that contains static-sensitive assemblies or components.
- Discharge the static voltage from your body by wearing a wrist strap while handling these components. Servicing static-sensitive assemblies or components should only be performed at a static-free workstation by qualified personnel.
- Nothing capable of generating or holding a static charge should be allowed on the workstation surface.
- Keep the component leads shorted together whenever possible.
- Pick up components by the body, never by the leads.
- Do not slide the components over any surface.
- Avoid handling components in areas that have a floor or work surface covering capable of generating a static charge.
- Use a soldering iron that is connected to earth ground.
- Use only special antistatic, suction-type or wick-type desoldering tools.

NOTE. *A 2% RMA flux content solder is recommended for making repairs in this instrument. Cleaning of rosin residue is not recommended. Most cleaning solvents tend to reactivate the rosin and spread it under components where it may cause corrosion under humid conditions. The rosin residue, if left alone, does not exhibit these corrosive properties.*

Inspection and Cleaning

Preventive maintenance consists of cleaning, visual inspection, performance checking, and, if needed, readjustment. The preventive maintenance schedule established for the instrument should be based on the environment in which it is operated and the amount of use. Under average conditions, scheduled preventive maintenance should be performed every 2000 hours of operation.

General Care

Protect the module from adverse weather conditions. The module is not waterproof.



CAUTION. To avoid damage to this module, do not expose it to sprays, liquids, or solvents. Do not flex the circuit board if you remove the board from its mounting shield. The circuit board can be damaged by flexing. The shield provides necessary structural support to the circuit board.

Inspecting and Cleaning Procedures

Clean the mainframe and modules often enough to prevent dust or dirt from accumulating. Refer to *Inspecting and Cleaning Procedures* in the *TG700 TV Signal Generator Platform Service Manual*.

Performance Verification

Check module performance after each 2000 hours of operation or every 12 months. This will help to ensure maximum performance and assist in locating defects that may not be apparent during regular operation. Performance verification procedures are included in this manual.

Repackaging Instructions

Use the following instructions to prepare your instrument for shipment to a Tektronix, Inc., Service Center:

1. Attach a tag to the instrument showing: the owner, complete address and phone number of someone at your firm who can be contacted, the instrument serial number, and a description of the required service.
2. Package the instrument in the original packaging materials. If the original packaging materials are not available, follow these directions:
 - a. Obtain a carton of corrugated cardboard having inside dimensions six or more inches greater than the dimensions of the instrument. Use a shipping carton that has a test strength of at least 250 pounds (113.5 kg).
 - b. Surround the module with a protective (anti-static) bag.

Removal and Replacement

This section contains the instructions on how you can remove and replace the customer replaceable parts of the AG7 Generator module.

Tools Required

The following tools are required to perform the removal and replacement procedures:

Table 6-1: Required tools

Name	Description	Tektronix part number
Screwdriver handle	Accepts Phillips-driver bits	
#1 Phillips tip	Phillips-driver bit for #1 size screw heads	
#2 Phillips tip	Phillips-driver bit for #2 size screw heads	
Nut driver, 11 mm	Special nut driver for removing the BNC connectors of the AG7 module	030-A042-00

Replacing the Rear Panel Connectors and Chassis

It is usually not necessary to replace the rear panel connectors and chassis. However, if a connector or chassis becomes damaged, you can replace them.

Replacing the Rear Panel Connectors

Perform the following procedure to replace the rear panel connector:

1. Use the *Module Installation* section in the *TG700 TV Signal Generator Platform Service Manual* to remove the AG7 Generator module from the mainframe.
2. Disconnect these cables:
 - The cable from J400 at 1+2 connector.
 - The cable from J410 at 3+4 connector.
 - The cable from J420 at 5+6 connector.
 - The cable from J430 at 7+8 connector.
 - The cable from J440 at SILENCE connector.
 - The cable from J450 at 48 kHz CLOCK connector.

3. Use a screwdriver with a size #2 Phillips tip to remove the four screws securing the AG7 circuit board to the chassis.
4. Lift the circuit board up and away from chassis, and then place it on a static free surface.
5. Use the 11 mm nut driver to remove the nut securing the damaged connector to the chassis. Pull the connector away.
6. Perform steps 2 through 5 in reverse order to replace the connector.

Replacing the chassis

Perform the following procedure to replace the chassis:

1. Perform steps 1 through 4 in *Replacing the Rear Panel Connectors* on page 6–5.
2. Use the 11 mm nut driver to remove the nuts from each of the rear panel connectors.
3. Set the replacement chassis on a firm, flat, static-free work surface.
4. Apply the rear panel to the chassis, and then install all the connectors to the chassis.
5. Carefully place the AG7 circuit board in place on the chassis.
6. Use a screwdriver with a #2 Phillips tip to install the four screws securing the circuit board to the chassis.
7. Reconnect all the cables to the rear panel connectors.

Troubleshooting

This section contains instructions and procedures for troubleshooting the AG7 Generator module. These procedures will help you decide whether it is necessary to replace your module.

If the TG700 mainframe does not boot up or if the display is not working, refer to *Troubleshooting* in the *TG700 TV Signal Generator Platform Service Manual*.

Equipment Required

The equipment listed in Table 6–2 is required for troubleshooting.

Table 6–2: Equipment required for troubleshooting

Equipment description	Minimum requirements/example
Screwdriver handle	Accept Phillips-driver bits
#1 Phillips tip	Phillips-driver bit for #1 size screw heads
TG700 mainframe	A TG700 mainframe that is functioning correctly.

Backing up the instrument settings

Before you begin the trouble shooting procedures, create a preset to save your instrument settings as follows:

1. Press the **MODULE** button until the mainframe main menu (TG700: PRESET) appears.
2. Press the **ENTER** button to access the PRESET submenu.
3. Press the up (▲) or down (▼) arrow button to select **SAVE**.
4. Press the left (◀) or right (▶) arrow button to select a preset number to save instrument settings.
5. Press the **ENTER** button to save the current instrument settings to the new preset.

After the problem is solved, recall the preset you created.

Troubleshooting Trees

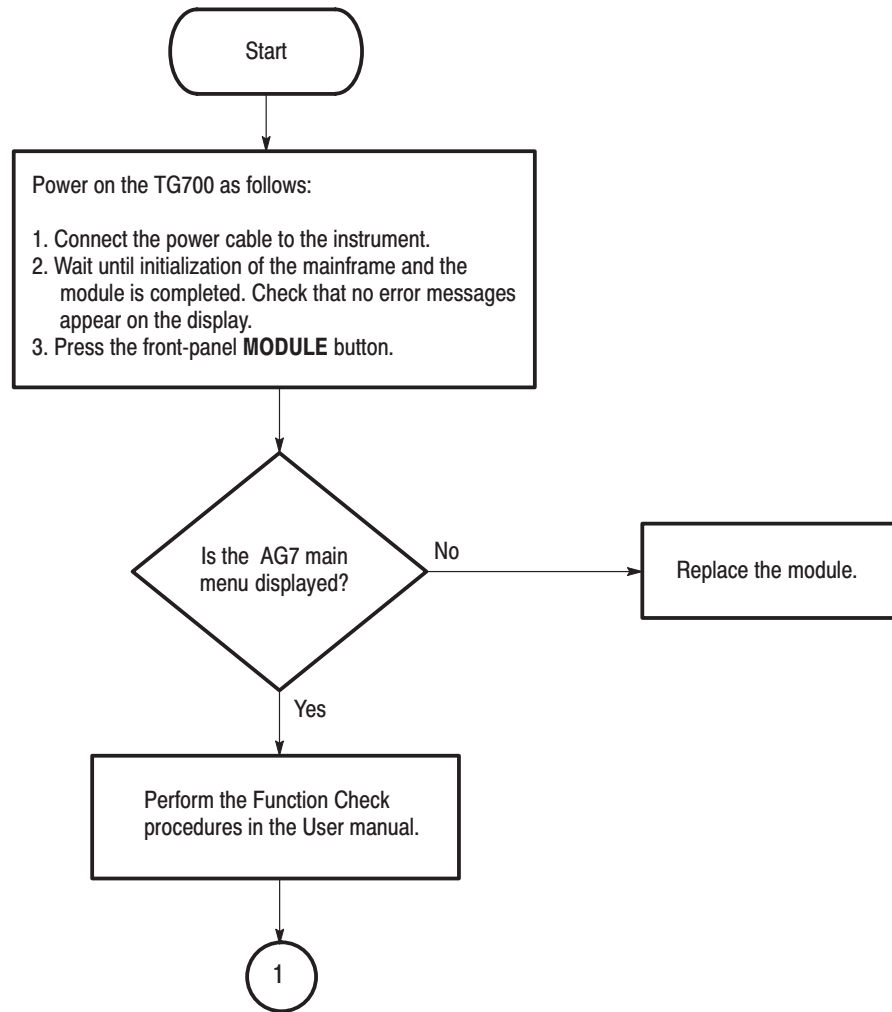


Figure 6-1: Troubleshooting procedure (1)

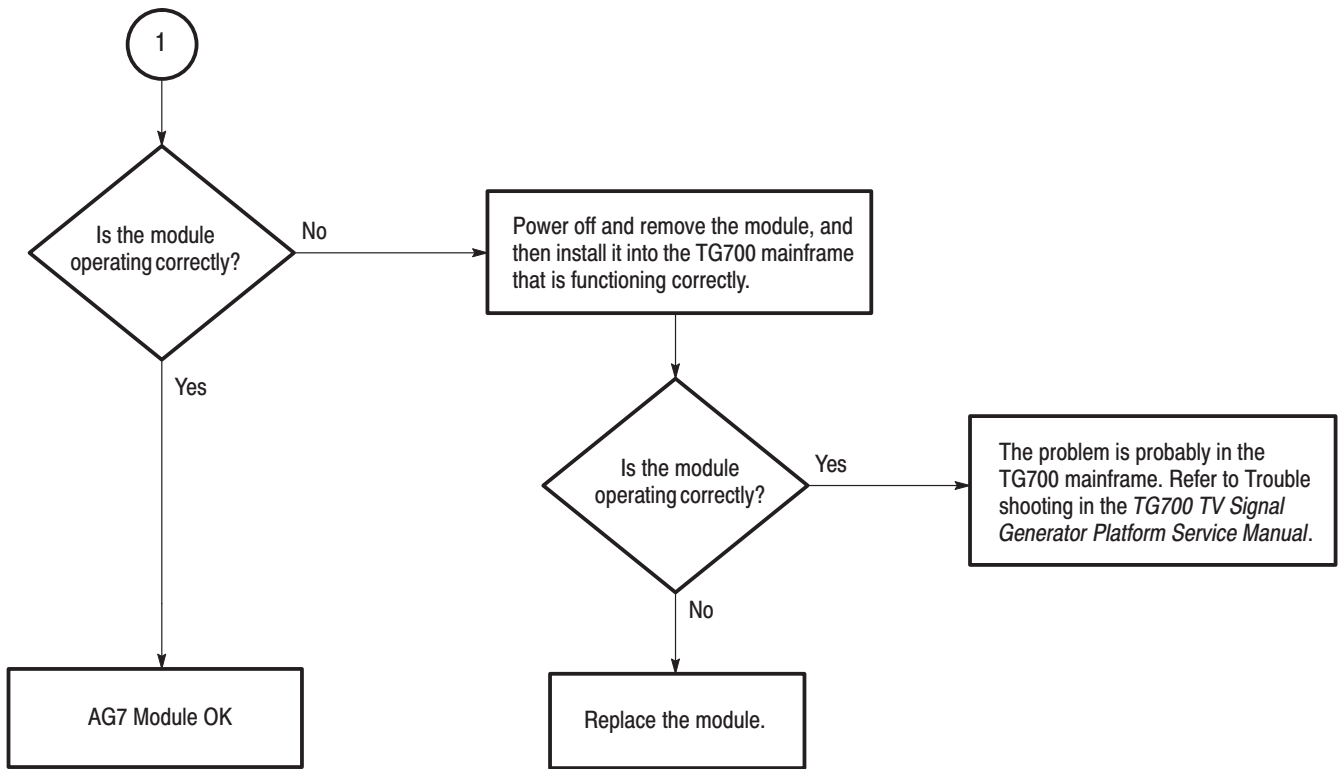


Figure 6-2: Troubleshooting procedure (2)



Option



Option

This section describes option that is available for the AG7 Generator module.

The following option is available.

- Option D1 (Test data report)

Option D1 Description

A calibration data test result report will be provided with the AG7 Generator module when this option is specified.



Replaceable Electrical Parts



Replaceable Electrical Parts

The module-level replaceable electrical parts are included in the *Replaceable Mechanical Parts* list. Since component-level repair is not supported, individual electrical components are not listed.



Diagram

Diagram

Figure 9-1 shows the AG7 Generator module and how it interconnects with the TG700 TV Signal Generator Platform.

Diagrams showing mainframe component interconnections, such as power supply and oscillator, can be found in the *TG700 TV Signal Generator Platform Service Manual*.

A block diagram of the AG7 Generator module is located in the *Theory of Operation* section, beginning on page 3-1.

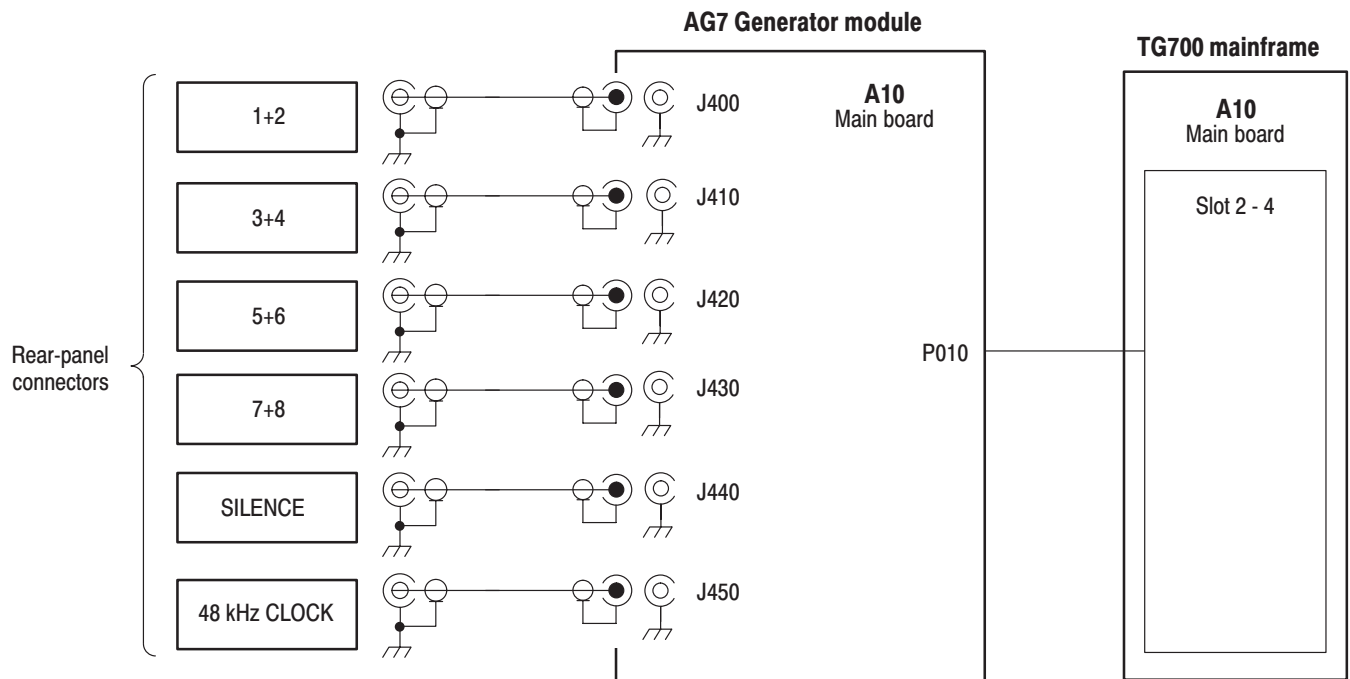


Figure 9-1: AG7 Generator module connections



Mechanical Parts List

Mechanical Parts List

This section contains a list of the replaceable modules for the AG7 Generator module. Use this list to identify and order replacement parts.

Parts Ordering Information

Replacement parts are available through your local Tektronix field office or representative.

Changes to Tektronix products are sometimes made to accommodate improved components as they become available and to give you the benefit of the latest improvements. Therefore, when ordering parts, it is important to include the following information in your order.

- Part number
- Instrument type or model number
- Instrument serial number
- Instrument modification number, if applicable

If you order a part that has been replaced with a different or improved part, your local Tektronix field office or representative will contact you concerning any change in part number.

Module Servicing

Modules can be serviced by selecting one of the following three options. Contact your local Tektronix service center or representative for repair assistance.

Module Exchange. In some cases you may exchange your module for a remanufactured module. These modules cost significantly less than new modules and meet the same factory specifications. For more information about the module exchange program, call 1-800-833-9200. Outside North America, contact a Tektronix sales office or distributor; see the Tektronix web site for a list of offices: www.tektronix.com

Module Repair and Return. You may ship your module to us for repair, after which we will return it to you.

New Modules. You may purchase replacement modules in the same way as other replacement parts.

Using the Replaceable Parts List

This section contains a list of the mechanical and/or electrical components that are replaceable for the AG7 Generator module. Use this list to identify and order replacement parts. The following table describes each column in the parts list.

Parts list column descriptions

Column	Column name	Description
1	Figure & Index Number	Items in this section are referenced by figure and index numbers to the exploded view illustrations that follow.
2	Tektronix Part Number	Use this part number when ordering replacement parts from Tektronix.
3 and 4	Serial Number	Column three indicates the serial number at which the part was first effective. Column four indicates the serial number at which the part was discontinued. No entries indicates the part is good for all serial numbers.
5	Qty	This indicates the quantity of parts used.
6	Name & Description	An item name is separated from the description by a colon (:). Because of space limitations, an item name may sometimes appear as incomplete. Use the U.S. Federal Catalog handbook H6-1 for further item name identification.
7	Mfr. Code	This indicates the code of the actual manufacturer of the part.
8	Mfr. Part Number	This indicates the actual manufacturer's or vendor's part number.

Abbreviations Abbreviations conform to American National Standard ANSI Y1.1-1972.

Mfr. Code to Manufacturer Cross Index The table titled Manufacturers Cross Index shows codes, names, and addresses of manufacturers or vendors of components listed in the parts list.

Manufacturers cross index

Mfr. code	Manufacturer	Address	City, state, zip code
S3109	FELLER	72 VERONICA AVE UNIT 4	SUMMERSET NJ 08873
TK0191	SONY/TEKTRONIX	PO BOX 5209 TOKYO INTERNATIONAL	TOKYO JAPAN 100-31
TK2432	UNION ELECTRIC	15/F #1, FU-SHING N. ROAD	TAIPEI, TAIWAN ROC
2W733	BELDEN CORPORATION	2200 US HIGHWAY 27 SOUTH PO BOX 1980	RICHMOND IN 47375-0010
80009	TEKTRONIX INC	14150 SW KARL BRAUN DR PO BOX 500	BEAVERTON, OR 97077-0001

Replaceable parts list

Fig. & index number	Tektronix part number	Serial no. effective	Serial no. discont'd	Qty	Name & description	Mfr. code	Mfr. part number
10-1	116-A001-00			1	EXCHANGE MODULE:AG7	80009	
10-1-1	441-A267-00			1	CHASSIS,MODULE AG7:ASSY	80009	
-2	333-A404-00			1	PANEL,REAR:AG7,AL	80009	
-3	214-4946-00			2	SPRING,CONICAL:VXI MOUNTING SCREW,0.26 MM SUS304,5.4 MML	80009	
-4	213-1129-00			2	SCREW,MACHINE:M2.5X11MM L,PAN HD,STL,N1 PL,CROSS REC & SLOTTED [322401-05]	80009	
-5	348-A128-00			2.5 CM	SHLD GASKET,ELEK:FINGER TYPE,5.1MM LX6.4MM W,BE-CU [97-645-02]	80009	
-6	131-6383-00			6	CONN,RF JACK:BNC,50OHM,FEMALE,STR,SNAP IN/PNL MTG,12.5MM MLG [MCF3]	80009	
-7	211-A245-00			4	SCREW,MACHINE:M3X6MM L,PNH,STL,NI PL,CROSS REC,W/KOGATAMARU&LOCK WASHER	80009	
-8	174-A278-00			6	CA ASSY,RF:75 OHM COAX,120MM L,BLACK [QQB-0120-0]	80009	
-9	334-1378-03			1	MARKER,IDENT:MKD SERIAL NO. FOR SONY/TEK	80009	
					OPTIONAL ACCESSORIES		
	070-A800-XX			1	MANUAL,TECH:SERVICE,TG700	TK0191	
	003-A042-00			1	NUTDRIVER,BOX:11MM HEX,BNC RETAINING NUT,MODIFIED 14.5MM	TK0191	

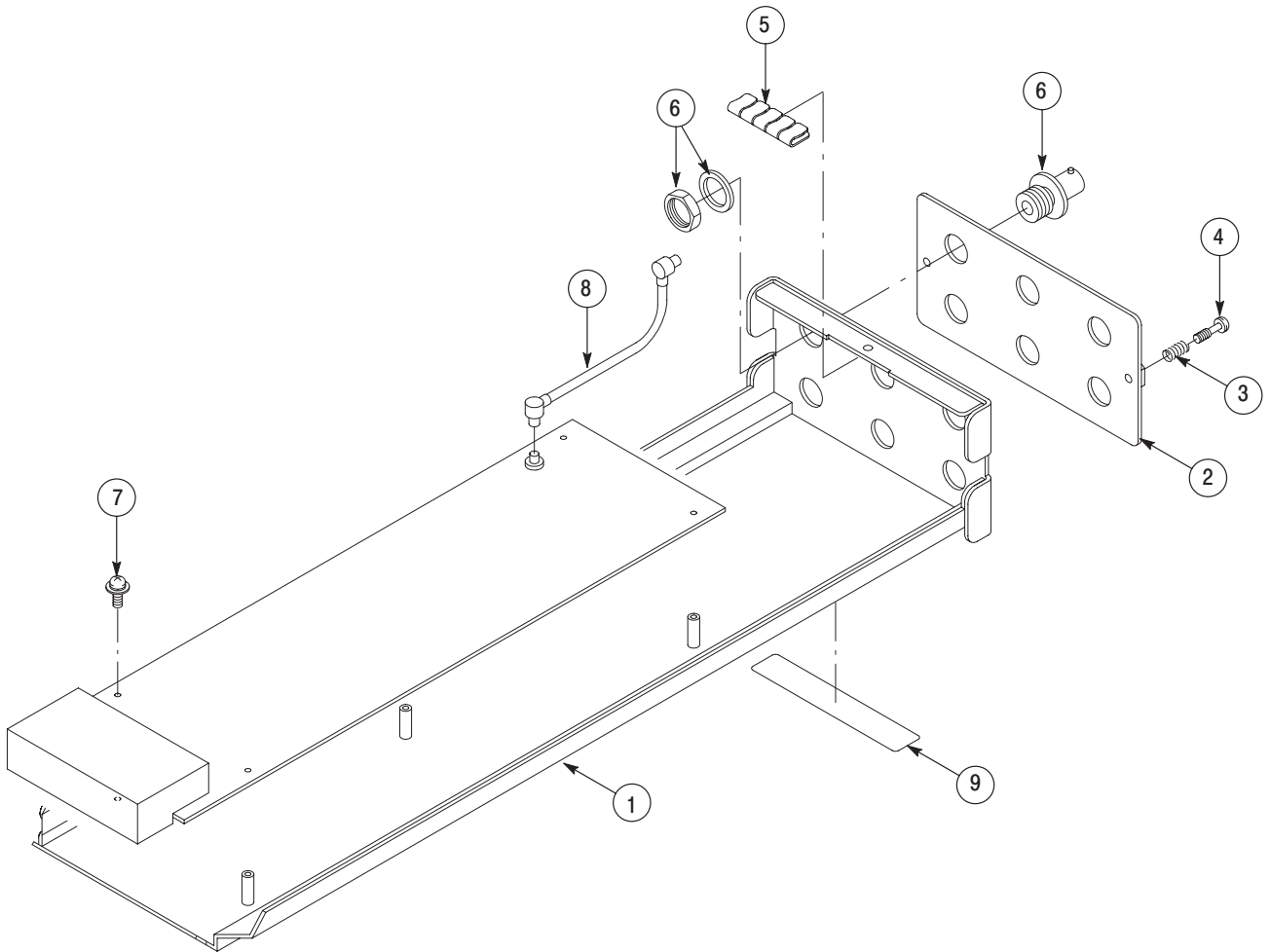


Figure 10-1: AG7 Generator module exploded view

Service Manual



AGL7 Analog Genlock Module

Copyright © Tektronix, Inc. All rights reserved.

Copyright © Sony/Tektronix Corporation. All rights reserved.

Printed in Japan.

Sony/Tektronix Corporation, 5-9-31 Kitashinagawa, Shinagawa-ku, Tokyo 141-0001 Japan

Tektronix, Inc., P.O. Box 500, Beaverton, OR 97077

TEKTRONIX and TEK are registered trademarks of Tektronix, Inc.

Table of Contents

Preface	v
Manual Structure	v
Related Manuals	vi
Contacting Tektronix	vi

Specifications

Specifications	1-1
Product Description	1-1
Electrical Characteristics	1-2
Environmental Characteristics	1-4

Operating Information

Operating Instructions	2-1
Operation Procedure	2-1
AGL7 Module Main Menu	2-2

Theory of Operation

Theory of Operation	3-1
Analog Genlock	3-1
Black Burst Generator	3-1

Performance Verification

Performance Verification	4-1
Preparation for Performance Verification	4-1
Equipment Required	4-1
Calibration Data Report	4-2
Performance Verification Procedures	4-3

Adjustment Procedures

Adjustments	5-1
--------------------------	------------

Maintenance

Maintenance	6-1
Preparation	6-1
Inspection and Cleaning	6-3
Repackaging Instructions	6-3
Removal and Replacement	6-5
Tools Required	6-5
Replacing the Rear Panel Connectors and Chassis	6-5
Troubleshooting	6-7
Equipment Required	6-7
Backing up the instrument settings	6-7
Troubleshooting Trees	6-8

Option

Option	7-1
Option D1 Description	7-1

Replaceable Electrical Parts

Replaceable Electrical Parts	8-1
---	------------

Diagram

Diagram	9-1
----------------------	------------

Mechanical Parts List

Mechanical Parts List	10-1
Parts Ordering Information	10-1
Using the Replaceable Parts List	10-2

List of Figures

Figure 2–6: AGL7 module main menu	2–2
Figure 2–7: GENLOCK submenu	2–3
Figure 2–8: OUTPUT submenu	2–3
Figure 2–9: SIGNAL submennu	2–4
Figure 2–10: TIMING submenu	2–4
Figure 3–1: Simplified block diagram of the AGL7 Genlock module	3–2
Figure 4–1: Equipment connections for verifying the genlock function	4–4
Figure 4–2: Equipment connection for verifying the trilevel sync outputs	4–7
Figure 4–3: Equipment connection for verifying burst and sync amplitude	4–11
Figure 4–4: Equipment connection for verifying burst frequency ...	4–12
Figure 5–1: AGL7 circuit board view	5–2
Figure 5–2: Equipment connection for adjusting the output offset and gain	5–3
Figure 5–3: Timing relationship between CH1 and CH2 signals	5–7
Figure 6–1: Troubleshooting procedure (1)	6–8
Figure 6–2: Troubleshooting procedure (2)	6–9
Figure 9–1: AGL7 Genlock module connections	9–1
Figure 10–1: AGL7 Genlock module exploded view	10–4

List of Tables

Table 1–1: Genlock function	1–2
Table 1–2: Black burst signal and HDTV trilevel sync signal outputs	1–3
Table 1–3: Environmental characteristics	1–4
Table 4–1: Equipment required for Performance Verification	4–1
Table 4–2: AGL7 Calibration Data Report	4–2
Table 5–1: Equipment required	5–1
Table 6–1: Required tools	6–5
Table 6–2: Equipment required for troubleshooting	6–7

Preface

This is the service manual for the AGL7 Analog Genlock module. This manual contains information needed to service an AGL7 Genlock module to the module level.

Manual Structure

This manual is divided into sections, such as *Specifications* and *Theory of Operation*. Further, some sections are divided into subsections, such as *Product Description* and *Removal and Installation Procedures*.

Sections containing procedures also contain introductions to those procedures. Be sure to read these introductions because they provide information needed to do the service correctly and efficiently. The following are a brief descriptions of each manual section.

- *Specifications* contains a description of the AGL7 Genlock module and the characteristics that apply to it.
- *Operating Information* provides basic operating information.
- *Theory of Operation* is an overview of the module's design.
- *Performance Verification* contains procedures to perform the operation tests.
- *Adjustments* contains a statement explaining that no adjustment is needed for the AGL7 Genlock module.
- *Maintenance* contains installation, removal and replacement, and troubleshooting instructions.
- *Option* contains a description of available option for the AGL7 Genlock module.
- *Replaceable Electrical Parts* for the module level are included in the Replaceable Mechanical Parts list.
- *Diagram* contains interconnect diagram showing the connections between the AGL7 Genlock module and the mainframe.
- *Replaceable Mechanical Parts* lists the part numbers for replacement parts that you can order. Exploded view illustrations help you to identify the parts.

Related Manual

The following document is related to the AGL7 Genlock module

- The *TG700 TV Signal Generator Platform User Manual* (Tektronix part number 070-A799-XX) describes how to use the TG700 mainframe and all modules. It also contains information about remote commands and programming structure for the TG700 mainframe and all modules.

Contacting Tektronix

Phone	1-800-833-9200*
Address	Tektronix, Inc. Department or name (if known) 14200 SW Karl Braun Drive P.O. Box 500 Beaverton, OR 97077 USA
Web site	www.tektronix.com
Sales support	1-800-833-9200, select option 1*
Service support	1-800-833-9200, select option 2*
Technical support	Email: techsupport@tektronix.com 1-800-833-9200, select option 3* 1-503-627-2400 6:00 a.m. – 5:00 p.m. Pacific time

* **This phone number is toll free in North America. After office hours, please leave a voice mail message. Outside North America, contact a Tektronix sales office or distributor; see the Tektronix web site for a list of offices.**



Specifications

Specifications

This section contains a general product description of the AGL7 Genlock module followed by the operating specifications of the module.

Product Description

The AGL7 Genlock module is designed to be installed in the TG700 TV Signal Generator Platform.

The module provides genlock function for the mainframe and installed modules. It is equipped with two reference inputs, the loopthrough inputs and the terminated CW input. The AGL7 module can genlock the following signals:

- NTSC black burst signal: burst lock or sync lock
- PAL black burst signal: burst lock and sync lock
- HDTV trilevel sync signal
- CW: 1, 3.58 (NTSC sub-carrier), 4.43 (PAL sub-carrier), 5, and 10 MHz

In addition, there are three signal output connectors provided on the rear panel which can output black burst signals and HDTV trilevel sync signals.

Electrical Characteristics

Tables 1–1 and 1–2 list the electrical characteristics of the AGL7 Genlock module.

Table 1–1: Genlock function

Characteristic	Performance requirements	Reference information
Input configuration	75 Ω loop through 75 Ω terminated	REF inputs CW input
Return loss	> 40 dB > 35 dB	5 MHz 5 MHz to 30 MHz
Input requirements		
Reference inputs	NTSC/PAL black burst or Trilevel sync	
Amplitude	± 6 dB	
S/N ratio	> 40 dB	
SCH phase	$\pm 40^\circ$	
CW input	1, 3.58, 4.43, 5, or 10 MHz CW	
Input range	1 to 2.5 Vp-p	
Pull-in range	Subcarrier frequency ± 15 Hz	
Jitter		
Burst lock	< 0.5°	
Sync lock	< 1 ns	

Table 1-2: Black burst signal and HDTV trilevel sync signal outputs

Characteristic	Performance requirements	Reference information
Connector	BNC	
Number of outputs	3	BLACK1, BLACK2, and BLACK3
Configuration		
BLACK1	Black burst	BLACK1 always generates Black burst.
BLACK2	Black burst or Trilevel sync	When the trilevel sync signal is selected, the signal to be the same signal as BLACK 3 is output.
BLACK3	Black burst or Trilevel sync	When the black burst is selected, the signal to be the same signal as BLACK 2 is output.
Burst amplitude accuracy	$\pm 2\%$	
Sync amplitude accuracy	$\pm 2\%$	
Sync rise time		
NTSC		140 ns
PAL		250 ns
Return loss	< 30 dB to 30 MHz	
Timing offset		
Range	Full color frame	
Resolution	< 0.5° of sub carrier	

Environmental Characteristics

Tables 1–3 lists the environmental characteristics of the AGL7 Genlock module.

Table 1–3: Environmental characteristics

Characteristic	Description
Temperature	
Operating	0° C to +50° C
Non-operating	-20° C to +60° C
Relative Humidity	
Operating	20% to 80% (No condensation) ; Maximum wet-bulb temperature 29.4° C
Non-operating	5% to 90% (No condensation) ; Maximum wet-bulb temperature 40.0° C
Altitude	
Operating	To 4.5 km (15,000 feet) Maximum operating temperature decreases 1° C each 300 m above 1.5 km.
Non-operating	To 15 km (50,000 feet)
Vibration	
Operating	3.04 m/s ² (0.31 G _{rms}), 5 to 500 Hz, 10 min, three axes
Non-operating	23.3 m/s ² (2.38 G _{rms}), 5 Hz to 500 Hz, 10 min, three axes
Shock	
Non-operating	294 m/s ² (30 G), half-sine, 11 ms duration



Operating Information

Operating Instructions

Before servicing the AGL7 Genlock module, read the following operating instructions. These instructions are at the level appropriate for servicing the AGL7 Genlock module. The user manual contains complete operator instructions.

This section provides the following information:

- Operating Procedure
- AGL7 Module Main Menu

Operation Procedure

After the module is installed in the mainframe, and the mainframe is installed in the rack or other location where it will be used, access each function of the module with the following procedure:

1. Connect the power connector on the rear panel and AC electric power source using the power cord. Electric power is supplied to the main frame.
2. Wait until the power up initialization process is complete, and check that there are no error messages on the display.
3. Following the initialization process the mainframe main menu appears, as shown below.



TG700: PRESET

4. Press the front-panel **MODULE** button until the AGL7 module main menu appears, as shown below.



AGL7 [1]: GENLOCK: STATUS
Internal

5. Use the front-panel arrow buttons to navigate and select items in the main menu and submenus.

The details of the main menu and submenus are explained on the following pages.

AGL7 Module Main Menu

You can select the genlock source and the output whose parameters will be changed using the AGL7 module main menu.

Use the up (▲) or down (▼) arrow button to scroll through the main menu. Figure 2-1 shows the AGL7 module main menu.

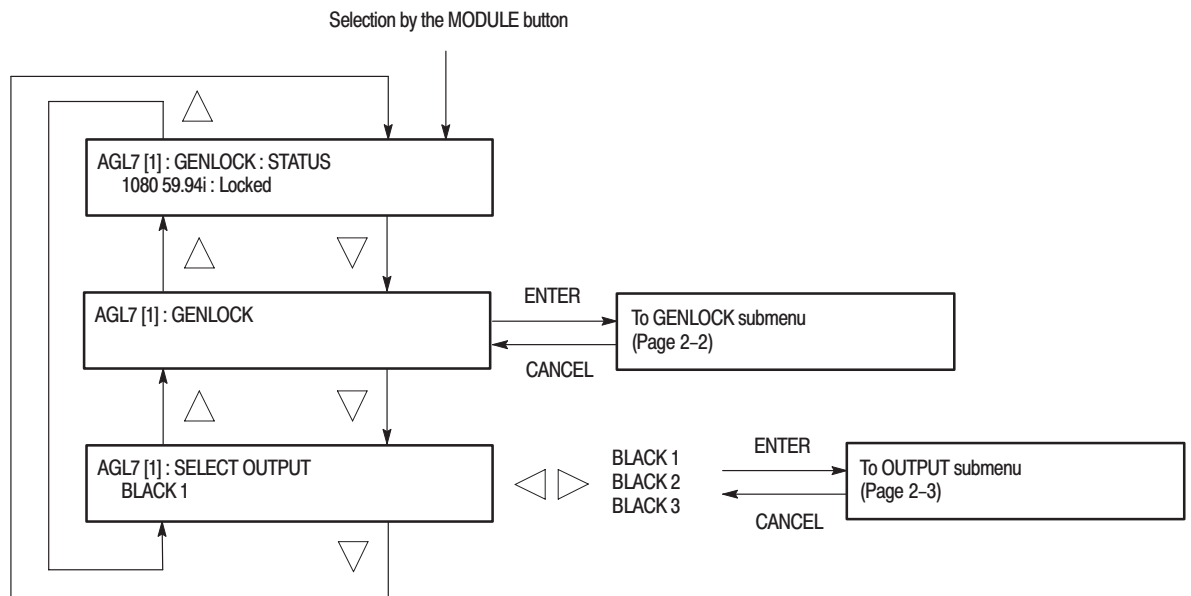


Figure 2-1: AGL7 module main menu

GENLOCK Submenu

This menu allows you to select the genlock source for the mainframe and the installed modules, set the timing offset, and the instrument actions when lock is lost. Use the up (▲) or down (▼) arrow button to scroll through the menu. Figure 2-2 shows the GENLOCK submenu.

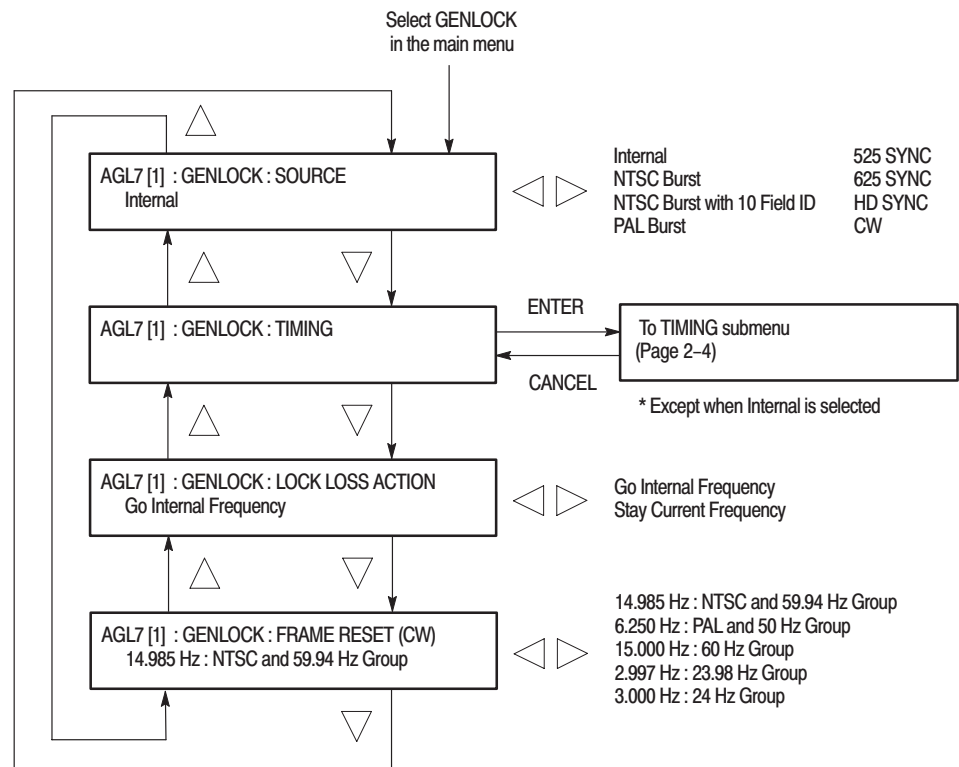


Figure 2-2: GENLOCK submenu

OUTPUT Submenu

Use this submenu to set the signal format and the timing offset for the output selected in the SELECT OUTPUT menu. Use the up (▲) or down (▼) arrow button to change the menu items. Figure 2-3 shows the OUTPUT submenu.

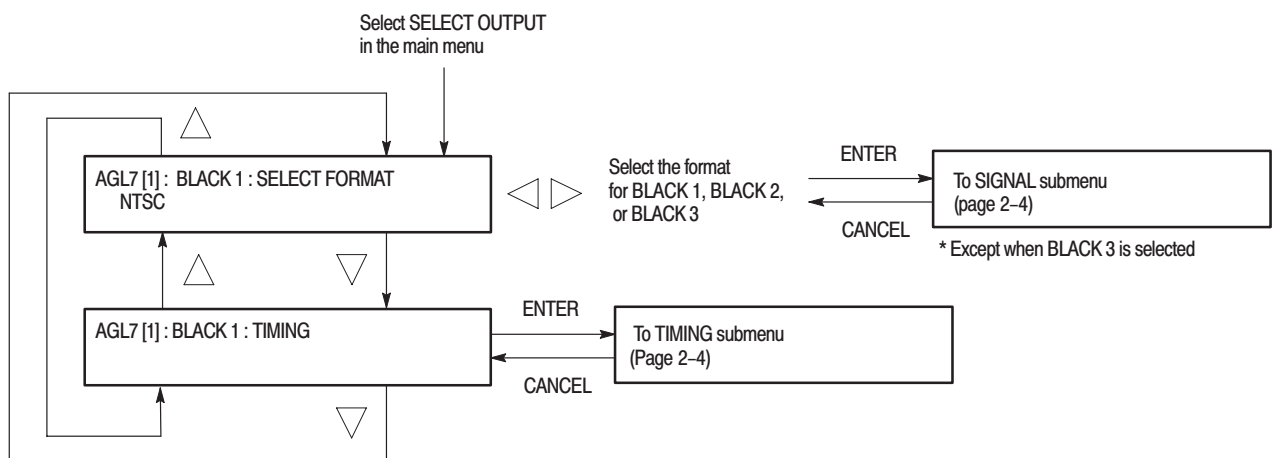


Figure 2-3: OUTPUT submenu

NOTE. When you change signal format, synchronization shock occurs; the signal format changes immediately at the output as you change the format selection.

SIGNAL Submenu

This menu allows you to select the black burst signal for the NTSC, NTSC No Setup, and PAL formats. Figure 2-4 shows the SIGNAL submenu.

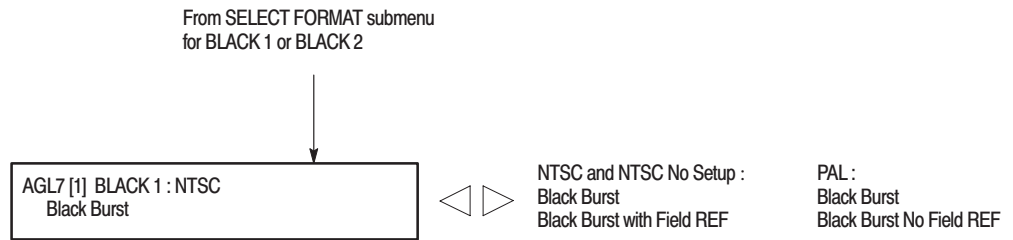


Figure 2-4: SIGNAL submenu

TIMING Submenu

This menu allows you to adjust the timing offset of the input and output signals relative to the internal reference signal (frame reset signal). Use the up (▲) or down (▼) arrow button to scroll through the menu.

The TIMING submenu uses the same menu structure for both input and output signals, except for the menu items displayed in the first line. Figure 2-5 shows the TIMING submenu.

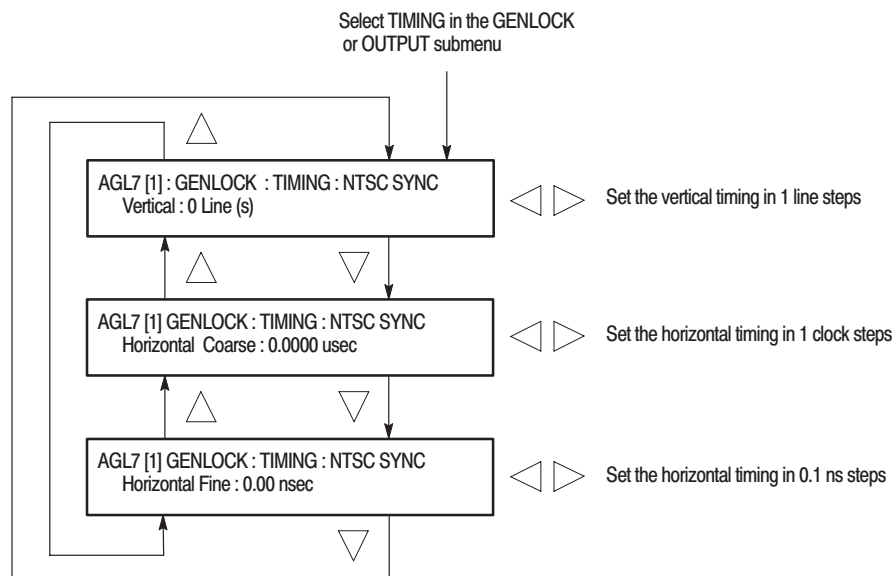


Figure 2-5: TIMING submenu



Theory of Operation

Theory of Operation

This section describes the basic operation of the major circuit blocks in the AGL7 Genlock module.

For information about the TG700 mainframe, refer to the *TG 700 TV Signal Generator Platform Service Manual*.

Analog Genlock

The Analog Genlock consists of the following blocks.

Bus Interface	This block provides the communication between the mainframe and the module circuit.
Amp & Restorer	This block consists of amplifiers to adjust the amplitude of the signal from REF or CW input and restorer to recover the DC component of the signal.
Sync Separator	The sync separator separates the sync signals such as H sync, V sync, or composite sync from the conditioned REF signal if the signal contains the sync.
A/D Convertor	The A/D convertor digitizes the analog input signal to 10 bits digital data for genlock operation. This data is read by the CPU in the mainframe and used to control the master oscillator frequency.
Genlock Controller	This block controls the A/D convertor, memory, and sync separator to obtain correct digital data.

Black Burst Generator

The Black Burst Generator consists of the following blocks:

Black Burst Generator	This block generates NTSC or PAL black burst digital data.
Trilevel Sync Generator	This block generates trilevel sync digital data.

D/A Converter & Amp

This block consists of a D/A convertor, two amplifiers, and a filter. It converts the digital data from the black burst generator or trilevel sync generator to an analog signal and re-constructs the signal for output. The “D/A Converter & Amp 3” also has a wide bandwidth filter for HDTV trilevel sync signal.

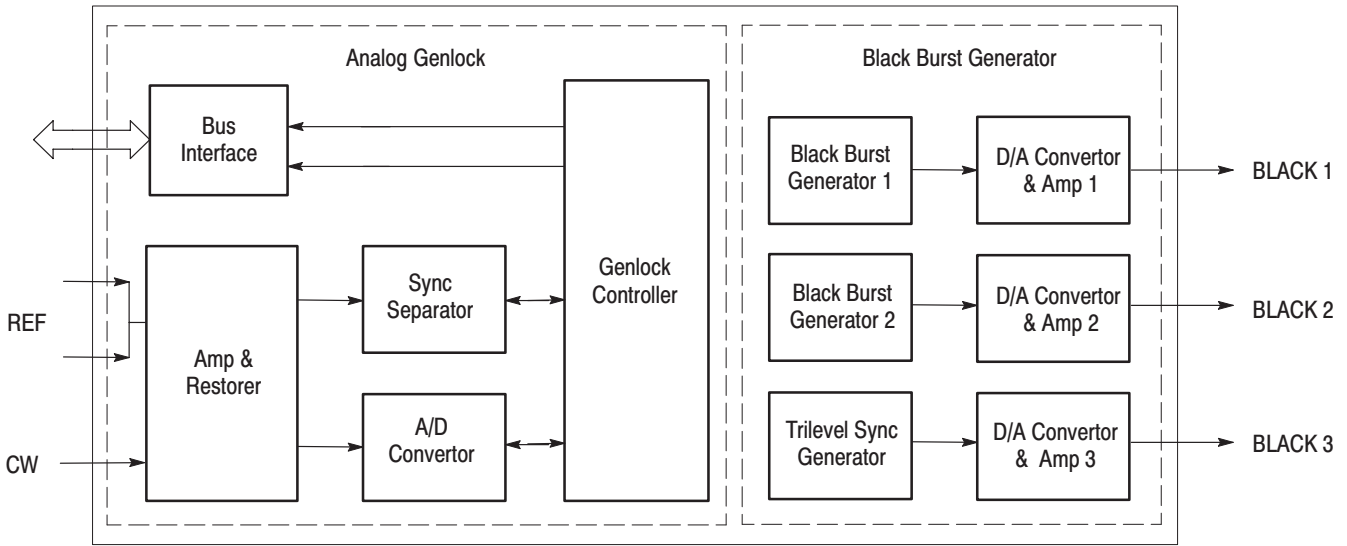


Figure 3-1: Simplified block diagram of the AGL7 Genlock module



Performance Verification

Performance Verification

This section provides procedures that verify the performance and functionality of the AGL7 Genlock module.

Preparation for Performance Verification

Perform the following before performing the performance verification procedures:

Power On Default Settings

Before you perform the performance verification procedures, make sure that the required instrument settings are saved in the Power On Default preset.

If the instrument settings are saved in the Power On Default preset, you can recall the settings after completing the performance verification procedures by turning the power off and on.

Warm up

The AGL7 Genlock module and test equipment must have had a warm-up period of at least 20 minutes.

Equipment Required

Table 4–1 lists the equipment required for the procedures.

Table 4–1: Equipment required for performance verification

Item	No.	Minimum requirement	Recommended equipment
Oscilloscope	1	Bandwidth: 200 MHz or higher	Tektronix TDS540D
Video measurement set	1		Tektronix VM700T Option 01/11
Waveform vector monitor	1		Tektronix 1765
TV signal generator	1		Tektronix TG700 with AGL7 Analog Genlock module
Frequency counter	1	Frequency range: 0.1 Hz to 1250 MHz Precision: 7 digits or higher	ANRITSU MF 1603A
75 Ω BNC cable	4	Length: 42 inches	Tektronix part no. 012-0074-00
75 Ω feed-through terminator	1		Tektronix part no. 011-0103-02
75 Ω coax terminator	2		Tektronix part no. 011-0102-01

Calibration Data Report

Photocopy this form and use it to record the performance test results.

Table 4-2: AGL7 calibration data report

Serial Number:		Cal Date:	Temperature:	Humidity:
Step	Function Tested	Minimum	Cal Data	Maximum
Black Output (NTSC)				
1.	Blanking Level			
	BLACK 1	-50 mV	mV	+50 mV
	BLACK 2	-50 mV	mV	+50 mV
	BLACK 3	-50 mV	mV	+50 mV
2.	Burst Amplitude			
	BLACK 1 (Peak to Peak Value)	280.0 mV	mV	291.4 mV
	BLACK 2 (Peak to Peak Value)	280.0 mV	mV	291.4 mV
	BLACK 3 (Peak to Peak Value)	280.0 mV	mV	291.4 mV
3.	Sync Amplitude			
	BLACK 1	280.0 mV	mV	291.4 mV
	BLACK 2	280.0 mV	mV	291.4 mV
	BLACK 3	280.0 mV	mV	291.4 mV
4.	Subcarrier Frequency	3.5795444 MHz		3.5795464 MHz
Tri-Level Sync Output				
4.	Blanking Level			
	BLACK 2	-50 mV	mV	+50 mV
	BLACK 3	-50 mV	mV	+50 mV
5.	Sync Amplitude plus			
	BLACK 2	294.0 mV	mV	306.0 mV
	BLACK 3	294.0 mV	mV	306.0 mV
6.	Sync Amplitude minus			
	BLACK 2	294.0 mV	mV	306.0 mV
	BLACK 3	294.0 mV	mV	306.0 mV

Performance Verification Procedures

Be sure you have performed the *Preparation for Performance Verification* before proceeding.



WARNING. *Dangerous electric shock hazards exist inside the TG700 mainframe. Only qualified service personnel should perform these procedures.*

Genlock Function

This test verifies that the genlock function is functioning correctly. The following equipment is required for the test:

- TV signal generator (TG700 mainframe with AGL7 module)
- Waveform vector monitor
- Four 75 Ω BNC cables
- Three 75 Ω coax terminators

Perform the following procedure to verify that the genlock function is functioning correctly.

1. Use a 75 Ω BNC cable to connect the CW connector on the AGL7 Genlock module to the BLACK 2 connector on the TV signal generator (AGL7 module) as shown in Figure 4-1.
2. Use a 75 Ω BNC cable to connect the REF connector on the AGL7 Genlock module to the BLACK 1 connector on the TV signal generator (AGL7 module) as shown in Figure 4-1.
3. Use a 75 Ω BNC cable to connect the other REF connector on the AGL7 Genlock module to the A connector on the waveform vector monitor as shown in Figure 4-1.
4. Use a 75 Ω BNC cable to connect the BLACK 1 connector on the AGL7 Genlock module to the B connector on the waveform vector monitor rear panel as shown in Figure 4-1.
5. Use the 75 Ω coax terminators to terminate the A and B loop through connectors on the waveform vector monitor rear panel.

- c. Press the left (◀) or right (▶) arrow button to select **Factory Default**.
 - d. Press the **ENTER** button to recall the factory default settings.
12. Set the genlock source and output signal of the AGL7 Genlock module as follows:
 - a. Press the **MODULE** button to display the AGL7 main menu.
 - b. Press the up (▲) or down (▼) arrow button to select **GENLOCK**, and then press the **ENTER** button to access the GENLOCK submenu.
 - c. Press the left (◀) or right (▶) arrow button to select **PAL Burst**, and then press the **ENTER** button.
 - d. Press the **CANCEL** button to return the module main menu.
 - e. Press the up (▲) or down (▼) arrow button to select **SELECT OUTPUT**.
 - f. Press the left (◀) or right (▶) arrow button to select **BLACK 1**, and then press the **ENTER** button to access the OUTPUT submenu.
 - g. Press the left (◀) or right (▶) arrow button to select **PAL**, and then press the **ENTER** button to access the SIGNAL menu.
 - h. Press the left (◀) or right (▶) arrow button to select **Black Burst**, and then press the **ENTER** button.
 - i. Press the **CANCEL** button to return the module main menu.
13. Verify that the displayed vector display is locked and the **EXT.REF** LED on the TG700 mainframe front panel lights.
14. Press the left (◀) or right (▶) arrow button to select **NTSC Burst**, and then press the **ENTER** button.
15. Verify that the vector display is unlocked.
16. Press the left (◀) or right (▶) arrow button to select **625 SYNC**, and then press the **ENTER** button.
17. Verify that the vector display is locked.
18. Change the signal format setting of the TV signal generator (AGL7 module) to NTSC.

19. Change the AGL7 Genlock module settings as follows:
 - a. Press the left (◀) or right (▶) arrow button to select **NTSC Burst**, and then press the **ENTER** button.
 - b. Press the up (▲) or down (▼) arrow button to select **SELECT OUTPUT**.
 - c. Press the left (◀) or right (▶) arrow button to select **BLACK 1**, and then press the **ENTER** button to access the OUTPUT submenu.
 - d. Press the left (◀) or right (▶) arrow button to select **NTSC**, and then press the **ENTER** button to access the SIGNAL menu.
 - e. Press the left (◀) or right (▶) arrow button to select **NTSC Burst**, and then press the **ENTER** button.
 - f. Press the **CANCEL** button to return the module main menu.
20. Verify that the displayed vector display (CH-B) is locked and the **EXT.REF** LED on the TG700 mainframe front panel lights.
21. Press the left (◀) or right (▶) arrow button to select **PAL Burst**, and then press the **ENTER** button.
22. Verify that the vector display is unlocked.
23. Press the left (◀) or right (▶) arrow button to select **525 SYNC**, and then press the **ENTER** button.
24. Verify that the vector display is locked.
25. Output NTSC subcarrier signal from the TV signal generator (AGL7 module) as follows:
 - a. Press and hold the **MODULE**, **FORMAT**, and **FRONT PANEL ENABLE** buttons on the TV signal generator (TG700) simultaneously until **TG700 Preset** appears in the display, then release the **MODULE** and **FORMAT** buttons to re-start the instrument in Factory mode.
 - b. Press the up (▲) or down (▼) arrow button to select **SELECT OUTPUT**.
 - c. Press the left (◀) or right (▶) arrow button to select **BLACK 1**, and then press the **ENTER** button to access the OUTPUT submenu.
 - d. Press the left (◀) or right (▶) arrow button to select **CAL**, and then press the **ENTER** button to access the SIGNAL submenu.
 - e. Press the left (◀) or right (▶) arrow button to select **NTSC Subcarrier (1Vp-p)**, and then press the **ENTER** button.

26. Press the left (◀) or right (▶) arrow button to select **CW**, and then press the **ENTER** button.
27. Verify that the displayed vector display is locked and the **EXT.REF** LED on the TG700 mainframe front panel lights.
28. Change the BNC cable connection from **BLACK 2** connector to **BLACK 3** connector on the TV signal generator (AGL7 module).
29. Set the TV signal generator (AGL7 module) so that 1080 59.94i trilevel sync signal is output from the **BLACK 3** connector.
30. Press the left (◀) or right (▶) arrow button to select **HD SYNC**, and then press the **ENTER** button.
31. Verify that the displayed vector display is locked and the **EXT.REF** LED on the TG700 mainframe front panel lights.

Trilevel Sync Outputs

This test verifies that the blanking level and sync amplitude of trilevel sync signals. The following equipment is required for the test:

- Oscilloscope
- 75 Ω BNC cable
- 75 Ω feed-through terminator

Perform the following procedure to verify that the blanking level and sync amplitude of trilevel sync signals.

1. Use the 75 Ω BNC cable and the 75 Ω feed-through terminator to connect the **BLACK 2** connector on the AGL7 Genlock module to the oscilloscope CH1 input as shown in Figure 4–2.

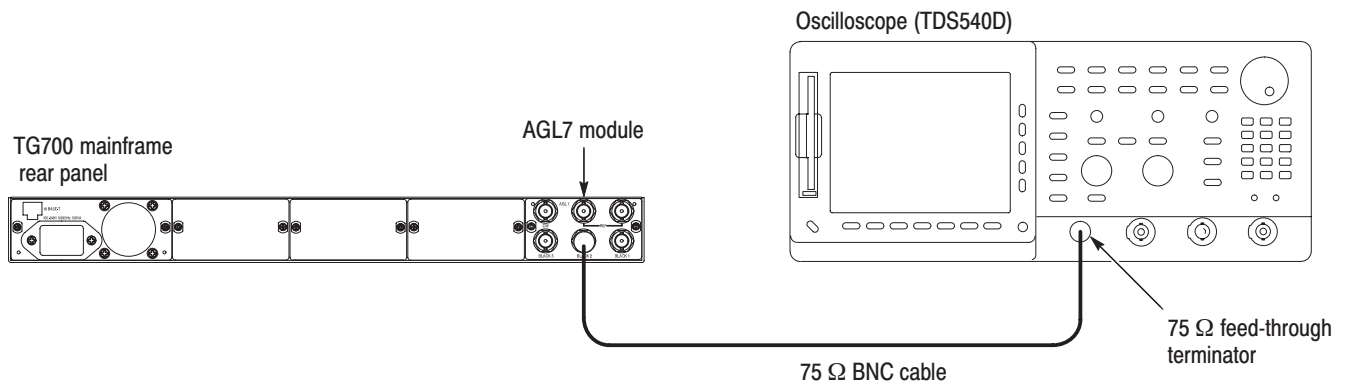


Figure 4–2: Equipment connection for verifying the trilevel sync outputs

2. Select the **HD SYNC (SAME AS BLACK3)** signal for **BLACK 2** as follows:
 - a. Press the up (▲) or down (▼) arrow button to select **SELECT OUTPUT**.
 - b. Press the left (◀) or right (▶) arrow button to select **BLACK 2**, and then press the **ENTER** button to access the **OUTPUT** submenu.
 - c. Press the left (◀) or right (▶) arrow button to select **HD SYNC (SAME AS BLACK3)**, and then press the **ENTER** button.
 - d. Press the **CANCEL** button to return the module main menu.
3. Set the oscilloscope settings as indicated below:

Vertical 50 mV/div
Vertical offset 0 V
Horizontal 500 ns/div
Horizontal position Center
Trig Position 50 %
Trig slope Rising Edge
Acquire menu Average 32
4. Verify that the blanking level is within the range of +50 mV to -50 mV.
5. Change the oscilloscope vertical scale to 10mV/div.
6. Align the blanking level with the center graticule line on the oscilloscope.
7. Change the oscilloscope vertical offset to 300 mV.
8. Verify that the high level of the signal (sync amplitude plus) is within the range of +0.6 div to -0.6 div to the center graticule (except for ringing of the rising edge).
9. Change the oscilloscope vertical offset to -300 mV.
10. Verify that the low level of the signal (sync amplitude minus) is within the range of +0.6 div to -0.6 div to the center graticule (except for ringing of the falling edge).
11. Change the BNC cable connection from **BLACK 2** connector to the **BLACK 3** connector on the **AGL7 Genlock** module and repeat steps 4 through 10.

Black Burst Outputs

This test verifies that the blanking level, burst amplitude, and sync amplitude of black burst signals. The following equipment is required for the test:

- Oscilloscope
- Video measurement set
- 75 Ω feed-through terminator
- 75 Ω terminator

Perform the following procedure to verify that the blanking level, burst amplitude, and sync amplitude of black burst signals.

Use the equipment connection and controls from the previous test.

1. Move the BNC cable connection from BLACK 3 connector to the BLACK 1 connector on the AGL7 Genlock module.
2. Select the **NTSC Black Burst** signal for BLACK 2 and BLACK 3 as follows:
 - a. Press the left (◀) or right (▶) arrow button to select **BLACK 2**, and then press the **ENTER** button to access the **OUTPUT** submenu.
 - b. Press the left (◀) or right (▶) arrow button to select **NTSC**, and then press the **ENTER** button to access the **SIGNAL** submenu.
 - c. Press the left (◀) or right (▶) arrow button to select **Black Burst**, and then press the **ENTER** button.
 - d. Press the **CANCEL** button to return the module main menu.
 - e. Press the left (◀) or right (▶) arrow button to select **BLACK 3**, and then press the **ENTER** button to access the **OUTPUT** submenu.
 - f. Press the left (◀) or right (▶) arrow button to select **BB (SAME AS BLACK2)**, and then press the **ENTER** button.
 - g. Press the **CANCEL** button to return the module main menu.

3. Set the oscilloscope settings as indicated below:

- Vertical 50 mV/div
- Vertical offset 0 V
- Horizontal 1 μ s/div
- Horizontal position Center
- Trig position 10 %
- Acquire menu Average 32
- Measure menu Mean
- Trig type Video
- Trig standard NTSC
- Trig source CH1
- Trig polarity Negative
- Trig field Odd Field
- Trig line 2
- Trig mode MONO (2 Field)

- 4.** Verify that the blanking level is within the range of +50 mV to –50 mV.
- 5.** Move the BNC cable connection from the BLACK 1 connector to the BLACK 2 connector on the AGL7 Genlock module and repeat step 4.
- 6.** Move the BNC cable connection from the BLACK 2 connector to the BLACK 3 connector on the AGL7 Genlock module and repeat step 4.
- 7.** Move the BNC cable connection from the BLACK 3 connector to the BLACK 1 connector on the AGL7 Genlock module.
- 8.** Disconnect the BNC cable from the 75 Ω feed-through terminator on the oscilloscope's input, and then connect the BNC cable to the CHAN A connector on the video measurement set as shown in Figure 4–3.
- 9.** Use the 75 Ω coax terminator to terminate the other loop through to the CHAN A connector on the video measurement set.

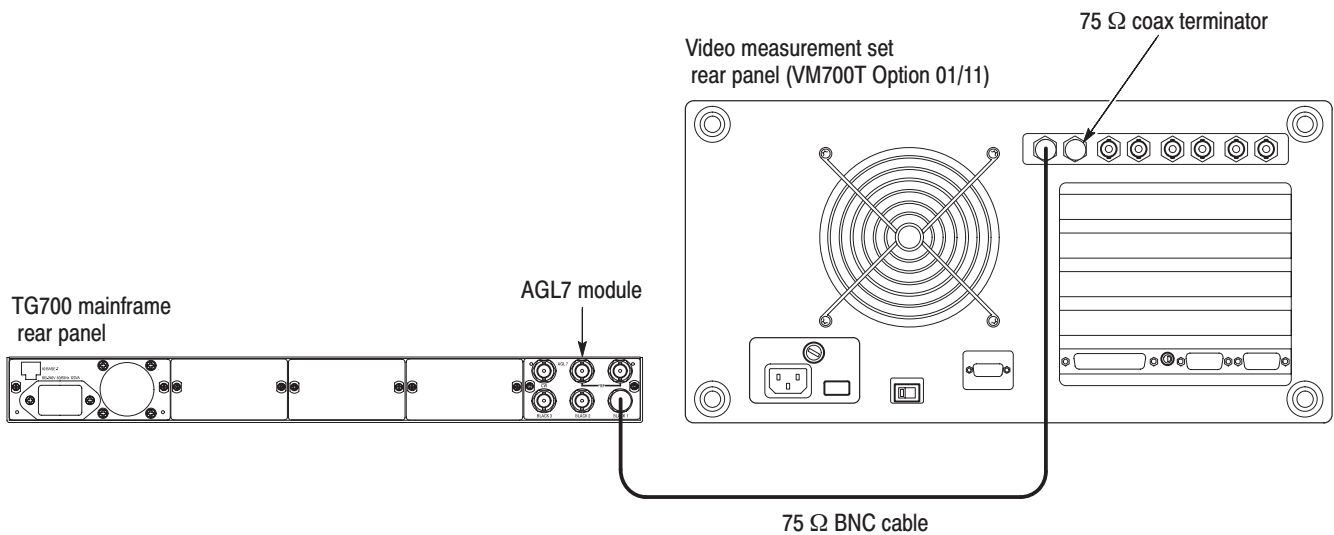


Figure 4-3: Equipment connection for verifying burst and sync amplitude

10. Press the **Measure** button on the video measurement set to open the Measure mode display.
11. Touch the **Mode** soft key to set the instrument to Analog mode, and then touch the **H_Timing** soft key.
12. Press the **Menu** button to display the H_Timing main menu.
13. Touch the **Average** soft key and rotate the front-panel knob to set the value to 32.
14. Touch the **RS-170A** soft key.
15. Press the **Select Line** button and rotate the front-panel knob set the measurement line to 100 (Field=1 Line=100).
16. Verify that the burst and sync amplitude are within the range of 280.0 mV to 291.4 mV.
17. Move the BNC cable connection from the **BLACK 1** connector to the **BLACK 2** connector on the AGL7 Genlock module and repeat step 16.
18. Move the BNC cable connection from the **BLACK 2** connector to the **BLACK 3** connector on the AGL7 Genlock module and repeat step 16.

Subcarrier Frequency

This test verifies that the subcarrier frequency accuracy of black burst signals. The following equipment is required for the test:

- Frequency counter
- 75 Ω BNC cable
- 75 Ω feed-through terminator

Perform the following procedure to verify the subcarrier frequency accuracy of the black burst signals.

1. Use the 75 Ω BNC cable and the 75 Ω feed-through terminator to connect the BLACK 1 connector on the AGL7 Genlock module to the INPUT A connector on the frequency counter as shown in Figure 4-4.

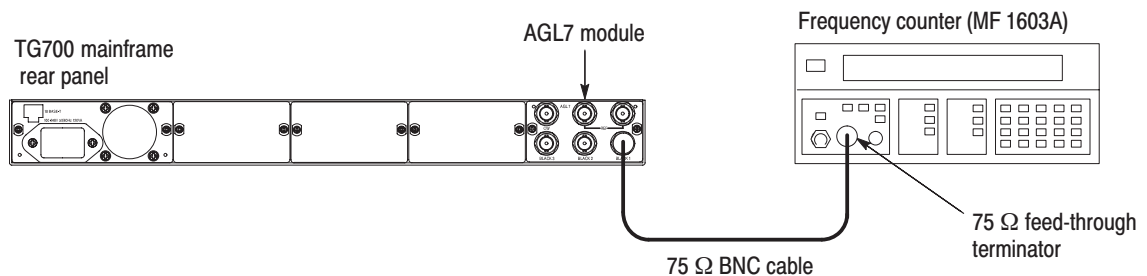


Figure 4-4: Equipment connection for verifying subcarrier frequency

2. Set the frequency counter to the frequency measurement mode (if necessary), and then set the Gate Time to $< 2s$.
3. Output the NTSC subcarrier calibration signal as follows:
 - a. Press and hold the **MODULE**, **FORMAT**, and **FRONT PANEL ENABLE** buttons simultaneously until **TG700 Preset** appears in the display, then release the **MODULE** and **FORMAT** buttons to re-start the instrument in Factory mode.
 - b. Press the up (\blacktriangle) or down (\blacktriangledown) arrow button to select **SELECT OUTPUT**.
 - c. Press the left (\blacktriangleleft) or right (\blacktriangleright) arrow button to select **BLACK 1**, and then press the **ENTER** button to access the OUTPUT submenu.
 - d. Press the left (\blacktriangleleft) or right (\blacktriangleright) arrow button to select **CAL**, and then press the **ENTER** button to access the SIGNAL submenu.
 - e. Press the left (\blacktriangleleft) or right (\blacktriangleright) arrow button to select **NTSC Subcarrier (1V_{p-p})**, and then press the **ENTER** button.



Adjustment Procedures

Adjustment Procedures

This section contains information needed to adjust the AGL7 Genlock module.

Adjustments in the AGL7 Genlock module are for the output offset, output gain, and clock timing.

Requirements for Adjustment

Before doing the adjustment, note the following requirements.

Personnel This procedure is only to be performed by trained service technicians.

Warm-Up Period The AGL7 Genlock module requires a 20 minute warm-up time in a +20° C to +30° C environment before it is adjusted. Adjustment done before the operating temperature has stabilized may cause errors in performance.

Access When adjusting the output offset, output gain, and clock timing, you need to remove the top cover of the TG700 mainframe. For removal and installation procedures for the top cover, refer to the *TG700 TV Signal Generator Platform Service Manual*.

Equipment Required

Table 5–1 lists the equipment required to adjust the output offset, output gain, and clock timing.

Table 5–1: Equipment required

Item	No.	Minimum requirement	Recommended equipment
TV signal generator platform	1		Tektronix TG700
Digital multimeter	1	5 1/2 digits	FLUKE 8842A
Oscilloscope	1	Bandwidth: 500 MHz or higher	Tektronix TDS754D with two P6139A probes
75 Ω BNC cable	1	Length: 42 inches	Tektronix part no. 012-0074-00
75 Ω coax terminator	1		Tektronix part no. 011-0102-03
BNC T connector	1		Tektronix part no. 103-0030-00
BNC female to dual banana adapter	1		Tektronix part no. 103-0090-00

Output Offset and Gain Adjustment

Preparation To perform the output offset and gain adjustment, you must first remove the top cover of the TG700 mainframe. For removal and installation procedures for the top cover, refer to the *TG700 TV Signal Generator Platform Service Manual*.

After you have removed the top cover, find the variable resistors on the AGL7 circuit board. See Figure 5-1.

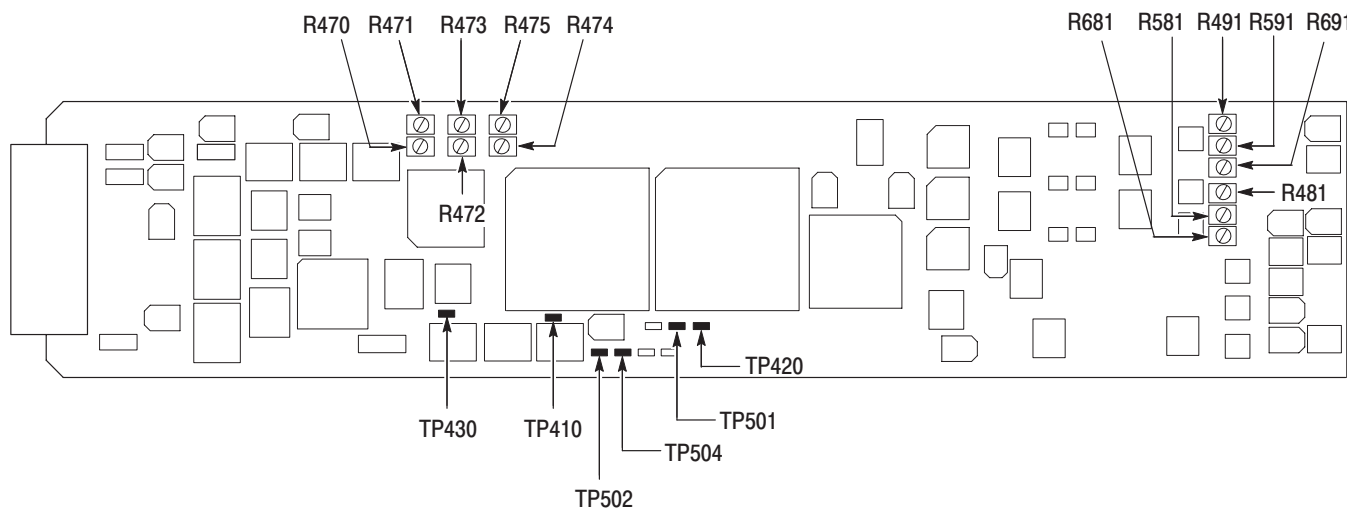


Figure 5-1: AGL7 circuit board view

Procedure



WARNING. To avoid serious injury, do not touch exposed connectors or components when operating the TG700 mainframe with the top cover removed. Dangerous potentials exist at several points within the TG700 mainframe.

1. Use the 75 Ω BNC cable, BNC T connector, 75 Ω coax terminator, and BNC female-to-dual banana adapter to connect the BLACK 1 connector on the AGL7 Genlock module to the INPUT connector on the digital multimeter as shown in Figure 5-2.

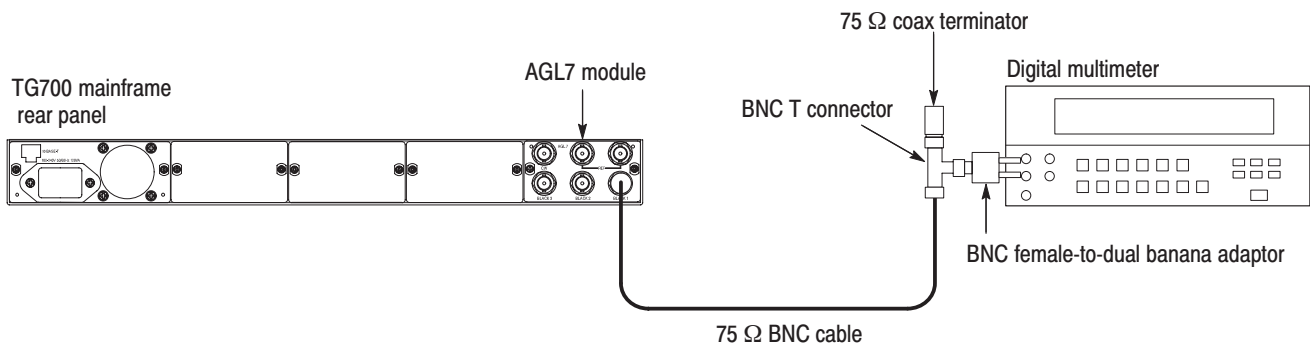


Figure 5-2: Equipment connection for adjusting the output offset and gain

2. Press and hold the **MODULE**, **FORMAT**, and **FRONT PANEL ENABLE** buttons simultaneously until **TG700 Preset** is displayed, then release the **MODULE** and **FORMAT** buttons to re-start the instrument in Factory mode.
3. Select the DAC Offset (0V DC) calibration signal for **BLACK 1** through **BLACK 3** as follows:
 - a. Press the **MODULE** button to display the **AGL7** main menu.
 - b. Press the up (▲) or down (▼) arrow button to select **SELECT OUTPUT**.
 - c. Press the left (◀) or right (▶) arrow button to select **BLACK 1**, and then press the **ENTER** button.
 - d. Press the left (◀) or right (▶) arrow button to select **CAL**, and then press the **ENTER** button.
 - e. Press the left (◀) or right (▶) arrow button to select **DAC Offset (0V DC)**, and then press the **ENTER** button.
 - f. Press the **CANCEL** button twice.
 - g. Repeat steps c through f to select the calibration signal for **BLACK 2**.
 - h. Press the left (◀) or right (▶) arrow button to select **BLACK 3**, and then press the **ENTER** button.
 - i. Press the left (◀) or right (▶) arrow button to select **Black Burst (Same as BLACK2)**, and then press the **ENTER** button.
 - j. Press the **CANCEL** button to return the **AGL7** main menu.
4. Locate variable resistor R691 on the AGL7 circuit board. See Figure 5-1.
5. Adjust R691 so that the output offset is $0\text{ V} \pm 1\text{ mV}$.

6. Move the BNC cable connection from the BLACK 1 connector to the BLACK 2 connector on the AGL7 Genlock module.
7. Locate variable resistor R491 on the AGL7 circuit board. See Figure 5–1.
8. Adjust R491 so that the output offset is $0\text{ V} \pm 1\text{ mV}$.
9. Move the BNC cable from the BLACK 2 connector to the BLACK 3 connector on the AGL7 Genlock module.
10. Locate variable resistor R591 on the AGL7 circuit board. See Figure 5–1.
11. Adjust R591 so that the output offset is $0\text{ V} \pm 1\text{ mV}$.
12. Select the DAC Gain (1.000V DC) calibration signal for BLACK 1 through BLACK 3 as follows:
 - a. Press the left (◀) or right (▶) arrow button to select **BLACK 1**, and then press the **ENTER** button.
 - b. Press the left (◀) or right (▶) arrow button to select **CAL**, and then press the **ENTER** button.
 - c. Press the left (◀) or right (▶) arrow button to select **DAC Gain (1.000V DC)**, and then press the **ENTER** button.
 - d. Press the **CANCEL** button twice to return the AGL7 main menu.
 - e. Repeat steps a through d to select the calibration signal for BLACK 2. BLACK 3 uses the previous setting (Same as BLACK2).
13. Locate variable resistor R681 on the AGL7 circuit board. See Figure 5–1.
14. Adjust R681 so that the output gain is $1\text{ V} \pm 1\text{ mV}$.
15. Move the BNC cable from the BLACK 1 connector to the BLACK 2 connector on the AGL7 Genlock module.
16. Locate variable resistor R481 on the AGL7 circuit board. See Figure 5–1.
17. Adjust R481 so that the output gain is $1\text{ V} \pm 1\text{ mV}$.
18. Move the BNC cable from the BLACK 2 connector to the BLACK 3 connector on the AGL7 Genlock module.
19. Locate variable resistor R581 on the AGL7 circuit board. See Figure 5–1.
20. Adjust R581 so that the output gain is $1\text{ V} \pm 1\text{ mV}$.

Clock Timing Adjustment (Board Number 671-B089-02 and Above Only)

Preparation To perform the clock timing adjustment, you must first remove the top cover of the TG700 mainframe. For removal and installation procedures for the top cover, refer to the *TG700 TV Signal Generator Platform Service Manual*.

After you have removed the top cover, find the variable resistors on the AGL7 circuit board. See Figure 5–1.

Procedure



WARNING. To avoid serious injury, do not touch exposed connectors or components when operating the TG700 mainframe with the top cover removed. Dangerous potentials exist at several points within the TG700 mainframe.

1. Select the NTSC **Black Burst** signal for BLACK 1 and BLACK 2 and **1080/59.94i** signal for BLACK 3 as follows:
 - a. Press the left (◀) or right (▶) arrow button to select **BLACK 1**, and then press the **ENTER** button.
 - b. Press the left (◀) or right (▶) arrow button to select **NTSC**, and then press the **ENTER** button.
 - c. Press the left (◀) or right (▶) arrow button to select **Black Burst**, and then press the **ENTER** button.
 - d. Press the **CANCEL** button twice to return the AGL7 main menu.
 - e. Repeat steps a through d to select the NTSC Black Burst signal for BLACK 2.
 - f. Press the left (◀) or right (▶) arrow button to select **BLACK 3**, and then press the **ENTER** button.
 - g. Press the left (◀) or right (▶) arrow button to select **1080/59.94i**, and then press the **ENTER** button.
 - h. Press the **CANCEL** button to return the AGL7 main menu.
2. Set the horizontal fine timing for BLACK 1 through BLACK 3 to 0.00 ns as follows:
 - a. Press the up (▲) or down (▼) arrow button to select **GENLOCK** and then press the **ENTER** button.
 - b. Press the left (◀) or right (▶) arrow button to select **INTERNAL**, and then press the **ENTER** button.

- c. Press the **CANCEL** button to return the AGL7 main menu.
 - d. Press the up (▲) or down (▼) arrow button to select **SELECT OUTPUT**.
 - e. Press the left (◀) or right (▶) arrow button to select **BLACK 1**, and then press the **ENTER** button.
 - f. Press the up (▲) or down (▼) arrow button to select **TIMING**, and then press the **ENTER** button.
 - g. Press the up (▲) or down (▼) arrow button to select **Horizontal Fine**, and then press the left (◀) or right (▶) arrow button to set the timing to 0.00 ns.
 - h. Press the **CANCEL** button twice to return the AGL7 main menu.
 - i. Repeat steps e through h to set the horizontal fine timing for **BLACK 2** and **BLACK 3** to 0.00 ns
3. Attach the two P6139A probes to the oscilloscope CH1 and CH2 inputs.
 4. Locate test points TP410, TP420, TP430, TP501, TP502, and TP504 on the AGL7 circuit board. See Figure 5–1.
 5. Locate variable resistors R470, R471, R472, R473, R474, and R475 on the AGL7 circuit board. See Figure 5–1.
 6. Turn all the variable resistors completely counterclockwise.
 7. Connect the probe tip from the oscilloscope CH1 input to TP501.
 8. Connect the probe tip from the oscilloscope CH2 input to TP430.
 9. Set the oscilloscope settings as indicated below:
 - Vertical 500 mV/div
 - Vertical position –3.0 div
 - Horizontal 2 ns/div
 - Trigger source CH1
 - Trigger level 1.5V
 - Trigger slope Rising Edge
 10. Adjust R470 so that the CH2 signal is delayed by 4 ± 0.5 ns from the CH1 signal. See Figure 5–3.

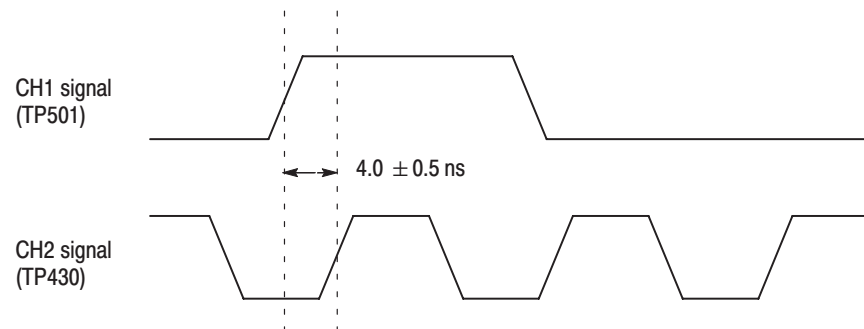


Figure 5-3: Timing relationship between CH1 and CH2 signals

11. Move the CH1 probe from TP501 to TP502.
12. Change the horizontal fine timing of the BLACK 3 output from -7.0 ns to $+7.0$ ns and verify that the CH2 signal moves at least 13.5 ns.
13. If the CH2 signal moves less than 13.5 ns, turn R471 to its center position and then perform the following steps:
 - a. Move the CH1 probe from TP502 to TP501.
 - b. Set the horizontal fine timing of BLACK 3 output to 0.00 ns.
 - c. Adjust R470 so that the CH2 signal delays for 4 ± 0.5 ns to the CH1 signal.
 - d. Change the horizontal fine timing of the BLACK 3 output from -7.0 ns to $+7.0$ ns and verify that the CH2 signal moves at least 13.5 ns.

Nevertheless the CH2 signal moves less than 13.5 ns, turn R471 clockwise and then repeat steps a through d.
14. Change the CH2 probe connection from TP430 to TP410.
15. Adjust R472 so that the CH2 signal delays for 8 ± 0.5 ns to the CH1 signal.
16. Change the CH1 probe connection from TP502 to TP504.
17. Change the horizontal fine timing of the BLACK 1 output from -10.0 ns to $+10.0$ ns and verify that the CH2 signal moves at least 18.5 ns.
18. If the CH2 signal moves less than 18.5 ns, turn R473 its center position and then perform the following steps:
 - a. Change the CH1 probe connection from TP504 to TP502.
 - b. Set the horizontal fine timing of BLACK 1 output to 0.00 ns.

- c. Adjust R472 so that the CH2 signal delays for 8 ± 0.5 ns to the CH1 signal.
- d. Change the horizontal fine timing of the BLACK 1 output from -10.0 ns to $+ 10.0$ ns and verify that the CH2 signal moves at least 18.5 ns.

Nevertheless the CH2 signal moves less than 18.5 ns, turn R473 clockwise and then repeat steps a through d.

- 19. Change the CH2 probe connection from TP410 to TP420.
- 20. Adjust R474 so that the CH2 signal delays for 8 ± 0.5 ns to the CH1 signal.
- 21. Change the CH1 probe connection from TP504 to TP502.
- 22. Change the horizontal fine timing of the BLACK 2 output from -10.0 ns to $+ 10.0$ ns and verify that the CH2 signal moves at least 18.5 ns.
- 23. If the CH2 signal moves less than 18.5 ns, turn R475 its center position and then perform the following steps:
 - a. Change the CH1 probe connection from TP502 to TP504.
 - b. Set the horizontal fine timing of BLACK 2 output to 0.00 ns.
 - c. Adjust R474 so that the CH2 signal delays for 8 ± 0.5 ns to the CH1 signal.
 - d. Change the horizontal fine timing of the BLACK 2 output from -10.0 ns to $+ 10.0$ ns and verify that the CH2 signal moves at least 18.5 ns.

Nevertheless the CH2 signal moves less than 18.5 ns, turn R475 clockwise and then repeat steps a through d.



Maintenance

Maintenance

This section contains instructions and procedures for maintaining the AGL7 Genlock module. For information on servicing the mainframe, refer to the *TG700 TV Signal Generator Platform Service Manual*.

The following information can be found in this section:

- Preparation page 6–1
- Inspection and Cleaning (preventive maintenance) page 6–3
- Repackaging Instructions page 6–3
- Removal and Replacement page 6–5
- Troubleshooting page 6–7

If the instrument does not function properly, troubleshooting and corrective measures should be taken immediately to prevent additional problems.

NOTE. Contact your local Tektronix representative for information on where to return your instrument if it requires repair during the warranty period.

Preparation

Please read and follow these preparation instructions before attempting to perform any maintenance or service to the instrument.

Servicing Prerequisites

Make sure of the following before beginning any instrument service:

- The maintenance or service of this instrument must be performed by qualified service personnel only.
- Read the *Service Safety Summary* located at the beginning of this manual before attempting to perform any maintenance or service to the instrument.
- Read the *Operating Information* section of this manual before attempting to perform any maintenance or service to the instrument.

Electrostatic Damage Prevention

This instrument contains electrical components that are susceptible to damage from electrostatic discharge. Static voltages of 1 kV to 30 kV are common in unprotected environments.



CAUTION. *Static discharge can damage any semiconductor component in this instrument.*

Observe the following precautions to avoid static damage:

- Minimize handling of static-sensitive components.
- Transport and store static-sensitive components or assemblies in their original containers, on a metal rail, or on conductive foam. Label any package that contains static-sensitive assemblies or components.
- Discharge the static voltage from your body by wearing a wrist strap while handling these components. Servicing static-sensitive assemblies or components should only be performed at a static-free workstation by qualified personnel.
- Nothing capable of generating or holding a static charge should be allowed on the workstation surface.
- Keep the component leads shorted together whenever possible.
- Pick up components by the body, never by the leads.
- Do not slide the components over any surface.
- Avoid handling components in areas that have a floor or work surface covering capable of generating a static charge.
- Use a soldering iron that is connected to earth ground.
- Use only special antistatic, suction-type or wick-type desoldering tools.

NOTE. *A 2% RMA flux content solder is recommended for making repairs in this instrument. Cleaning of rosin residue is not recommended. Most cleaning solvents tend to reactivate the rosin and spread it under components where it may cause corrosion under humid conditions. The rosin residue, if left alone, does not exhibit these corrosive properties.*

Inspection and Cleaning

Preventive maintenance consists of cleaning, visual inspection, checking performance, and, if needed, readjustment. The preventive maintenance schedule established for the instrument should be based on the environment in which it is operated and the amount of use. Under average conditions, scheduled preventive maintenance should be performed every 2000 hours of operation.

General Care

Protect the module from adverse weather conditions. The module is not waterproof.



CAUTION. To avoid damage to this module, do not expose it to sprays, liquids, or solvents. Do not flex the circuit board if you remove the board from its mounting shield. The circuit board can be damaged by flexing. The shield provides necessary structural support to the circuit board.

Inspecting and Cleaning Procedures

Clean the mainframe and modules often enough to prevent dust or dirt from accumulating. Refer to *Inspecting and Cleaning Procedures* in the *TG700 TV Signal Generator Platform Service Manual*.

Performance Verification

Check module performance after each 2000 hours of operation or every 12 months. This will help to ensure maximum performance and assist in locating defects that may not be apparent during regular operation. Performance verification procedures are included in this manual.

Repackaging Instructions

Use the following instructions to prepare your instrument for shipment to a Tektronix, Inc., Service Center:

1. Attach a tag to the instrument showing: the owner, complete address and phone number of someone at your firm who can be contacted, the instrument serial number, and a description of the required service.
2. Package the instrument in the original packaging materials. If the original packaging materials are not available, follow these directions:
 - a. Obtain a corrugated cardboard carton with inside dimensions six or more inches greater than the dimensions of the instrument. Use a shipping carton that has a test strength of at least 250 pounds (113.5 kg).
 - b. Surround the module with a protective (anti-static) bag.

Removal and Replacement

This section contains the instructions on how you can remove and replace the customer replaceable parts of the AGL7 Genlock module.

Tools Required

The following tools are required to perform the removal and replacement procedures:

Table 6-1: Required tools

Name	Description	Tektronix part number
Screwdriver handle	Accepts Phillips-driver bits	
#1 Phillips tip	Phillips-driver bit for #1 size screw heads	
#2 Phillips tip	Phillips-driver bit for #2 size screw heads	
Nut driver, 14 mm	Special nut driver for removing the BNC connectors of the AGL7 module	030-A041-00

Replacing the Rear Panel Connectors and Chassis

It is usually not necessary to replace the rear panel connectors and chassis. However, if a connector or chassis becomes damaged, you can replace them.

Replacing the Rear Panel Connectors

Perform the following procedure to replace the rear panel connector:

1. Use the *Module Installation* section in the *TG700 TV Signal Generator Platform Service Manual* to remove the AGL7 Genlock module from the mainframe.
2. Disconnect the cables at J000 (REF), J002 (REF), J040 (CW), J930 (BLACK 1), J830 (BLACK 2), and J880 (BLACK 4) on the AGL7 circuit board.
3. Use the 14 mm nut driver to remove the nut securing the damaged connector to the chassis. Pull the connector away.
4. Perform steps 2 and 3 in reverse order to replace the connector.

Replacing the chassis

Perform the following procedure to replace the chassis:

1. Use the 14 mm nut driver to remove the nuts from each of the rear panel connectors.
2. Use a screwdriver with a size #2 Phillips tip to remove the six screws securing the AGL7 circuit board to the chassis.
3. Lift the circuit board up and away from chassis, and then place it on a static free surface.
4. Set the replacement chassis on a firm, flat, static-free work surface.
5. Carefully place the circuit board in place on the chassis.
6. Use a screwdriver with a #2 Phillips tip to install the five screws securing the circuit board to the chassis.
7. Apply the rear panel to the chassis, and then install all the rear panel connectors to the chassis.

Troubleshooting

This section contains instructions and procedures for troubleshooting the AGL7 Genlock module. These procedures will help you decide whether it is necessary to replace your module.

If the TG700 mainframe does not boot up or if the display is not working, refer to *Troubleshooting* in the *TG700 TV Signal Generator Platform Service Manual*.

Equipment Required

The equipment listed in Table 6–2 is required for troubleshooting.

Table 6–2: Equipment required for troubleshooting

Equipment description	Minimum requirements/example
Screwdriver handle	Accept Phillips-driver bits
#1 Phillips tip	Phillips-driver bit for #1 size screw heads
TG700 mainframe	A TG700 mainframe that is functioning correctly.

Backing up the instrument settings

Before you begin the troubleshooting procedures, create a preset to save your instrument settings as follows:

1. Press the **MODULE** button until the mainframe main menu (TG700: PRESET) appears.
2. Press the **ENTER** button to access the PRESET submenu.
3. Press the up (▲) or down (▼) arrow button to select **SAVE**.
4. Press the left (◀) or right (▶) arrow button to select a preset number to save instrument settings.
5. Press the **ENTER** button to save the current instrument settings to the new preset.

After the problem is solved, recall the preset you created.

Troubleshooting Trees

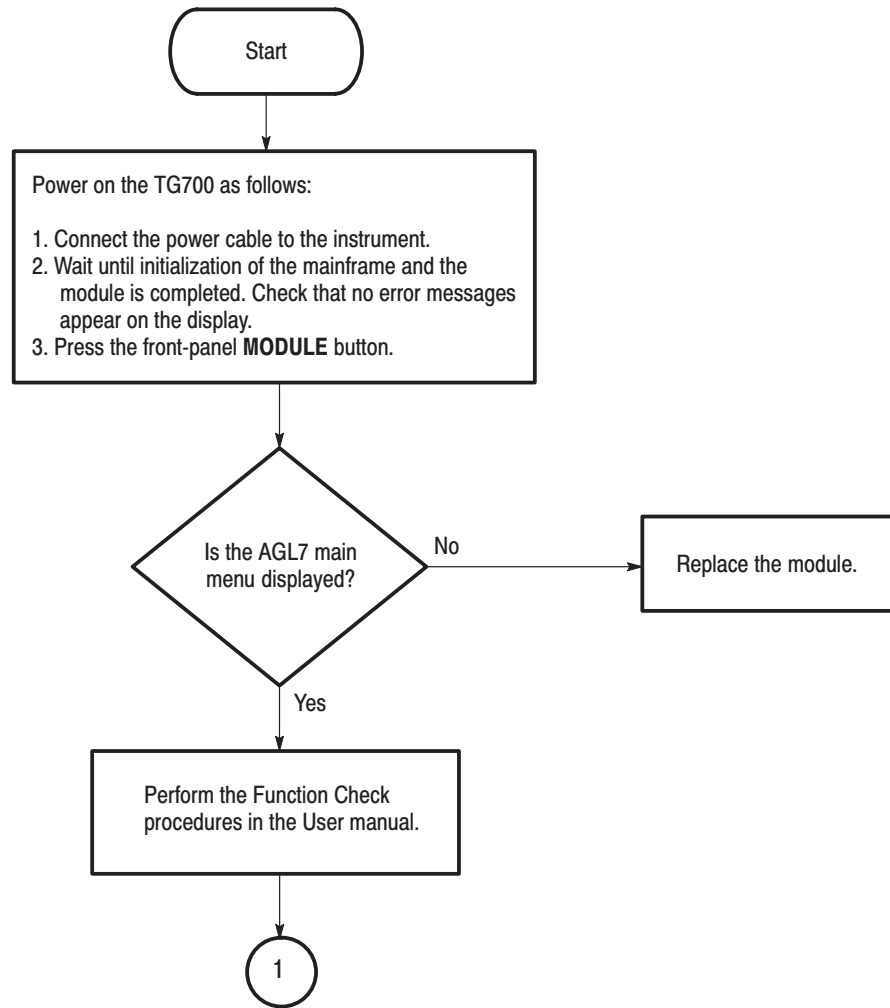


Figure 6-1: Troubleshooting procedure (1)

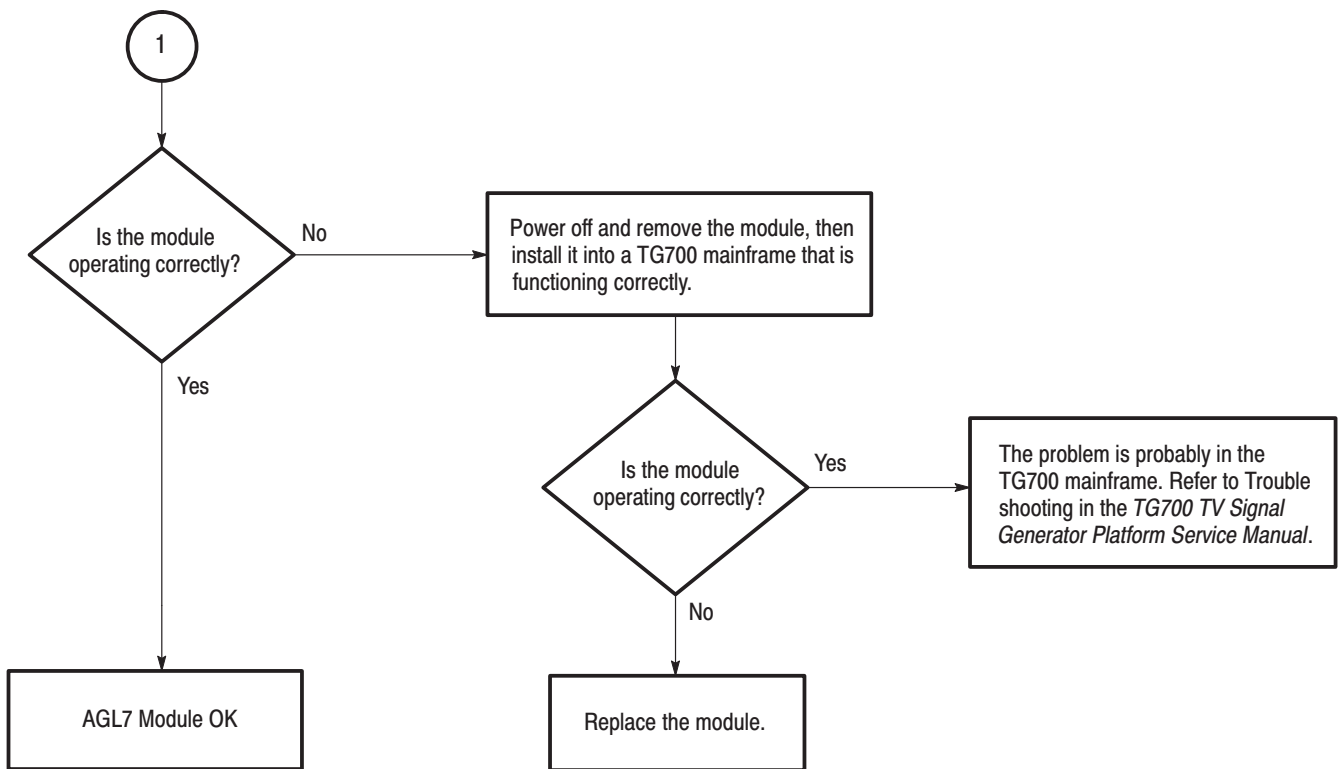


Figure 6-2: Troubleshooting procedure (2)



Option



Option

This section describes option that is available for the AGL7 Genlock module.

The following option is available.

- Option D1 (Test data report)

Option D1 Description

A calibration data test result report will be provided with the AGL7 Genlock module when this option is specified.



Replaceable Electrical Parts



Replaceable Electrical Parts

The module-level replaceable electrical parts are included in the *Replaceable Mechanical Parts* list. Since component-level repair is not supported, individual electrical components are not listed.



Diagram

Diagram

Figure 9-1 shows the AGL7 Genlock module and how it interconnects with the TG700 TV Signal Generator Platform.

Diagrams showing mainframe component interconnections, such as power supply and oscillator, can be found in the *TG700 TV Signal Generator Platform Service Manual*.

A block diagram of the AGL7 Genlock module is located in the *Theory of Operation* section, beginning on page 3-1.

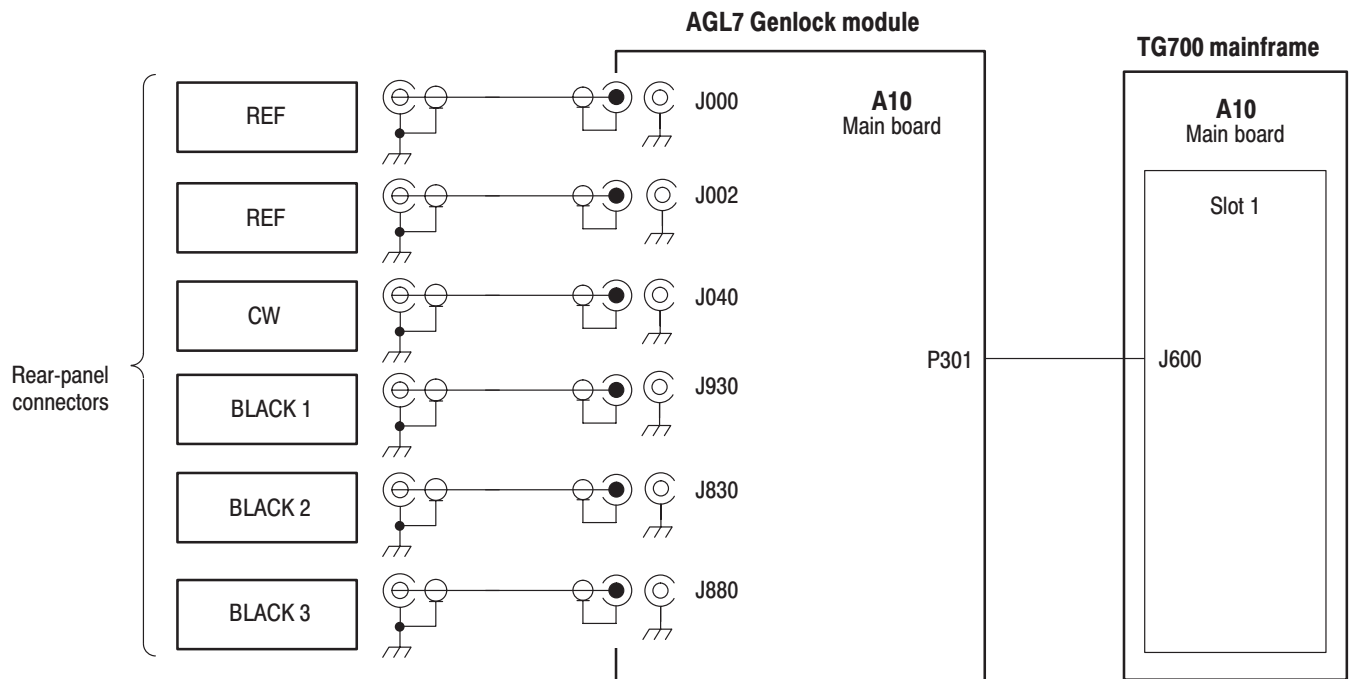


Figure 9-1: AGL7 Genlock module connections



Mechanical Parts List

Mechanical Parts List

This section contains a list of the replaceable modules for the AGL7 Genlock module. Use this list to identify and order replacement parts.

Parts Ordering Information

Replacement parts are available through your local Tektronix field office or representative.

Changes to Tektronix products are sometimes made to accommodate improved components as they become available and to give you the benefit of the latest improvements. Therefore, when ordering parts, it is important to include the following information in your order:

- Part number
- Instrument type or model number
- Instrument serial number
- Instrument modification number, if applicable

If you order a part that has been replaced with a different or improved part, your local Tektronix field office or representative will contact you concerning any change in part number.

Module Servicing

Modules can be serviced by selecting one of the following three options. Contact your local Tektronix service center or representative for repair assistance.

Module Exchange. In some cases you may exchange your module for a remanufactured module. These modules cost significantly less than new modules and meet the same factory specifications. For more information about the module exchange program, call 1-800-833-9200. Outside North America, contact a Tektronix sales office or distributor; see the Tektronix web site for a list of offices: www.tektronix.com

Module Repair and Return. You may ship your module to us for repair, after which we will return it to you.

New Modules. You may purchase replacement modules in the same way as other replacement parts.

Using the Replaceable Parts List

This section contains a list of the mechanical and/or electrical components that are replaceable for the AGL7 Genlock module. Use this list to identify and order replacement parts. The following table describes each column in the parts list.

Parts list column descriptions

Column	Column name	Description
1	Figure & Index Number	Items in this section are referenced by figure and index numbers to the exploded view illustrations that follow.
2	Tektronix Part Number	Use this part number when ordering replacement parts from Tektronix.
3 and 4	Serial Number	Column three indicates the serial number at which the part was first effective. Column four indicates the serial number at which the part was discontinued. No entries indicates the part is good for all serial numbers.
5	Qty	This indicates the quantity of parts used.
6	Name & Description	An item name is separated from the description by a colon (:). Because of space limitations, an item name may sometimes appear as incomplete. Use the U.S. Federal Catalog handbook H6-1 for further item name identification.
7	Mfr. Code	This indicates the code of the actual manufacturer of the part.
8	Mfr. Part Number	This indicates the actual manufacturer's or vendor's part number.

Abbreviations Abbreviations conform to American National Standard ANSI Y1.1-1972.

Mfr. Code to Manufacturer Cross Index The table titled Manufacturers Cross Index shows codes, names, and addresses of manufacturers or vendors of components listed in the parts list.

Manufacturers cross index

Mfr. code	Manufacturer	Address	City, state, zip code
S3109	FELLER	72 VERONICA AVE UNIT 4	SUMMERSET NJ 08873
TK0191	SONY/TEKTRONIX	PO BOX 5209 TOKYO INTERNATIONAL	TOKYO JAPAN 100-31
TK2432	UNION ELECTRIC	15/F #1, FU-SHING N. ROAD	TAIPEI, TAIWAN ROC
2W733	BELDEN CORPORATION	2200 US HIGHWAY 27 SOUTH PO BOX 1980	RICHMOND IN 47375-0010
80009	TEKTRONIX INC	14150 SW KARL BRAUN DR PO BOX 500	BEAVERTON, OR 97077-0001

Replaceable parts list

Fig. & index number	Tektronix part number	Serial no. effective	Serial no. discont'd	Qty	Name & description	Mfr. code	Mfr. part number
10-1	116-A002-00			1	EXCHANGE MODULE:AGL7	80009	
10-1-1	441-A269-00			1	CHASSIS,MODULE AGL7:ASSY	80009	
-2	333-A405-00			1	PANEL,REAR:AGL7,AL	80009	
-3	214-4946-00			2	SPRING,CONICAL:VXI MOUNTING SCREW,0.26 MM SUS304,5.4 MML	80009	
-4	213-1129-00			2	SCREW,MACHINE:M2.5X11MM L,PAN HD,STL,N1 PL,CROSS REC & SLOTTED [322401-05]	80009	
-5	348-A128-00			2.5 CM	SHLD GASKET,ELEK:FINGER TYPE,5.1MM LX6.4MM W,BE-CU [97-645-02]	80009	
-6	174-B847-00			5	CABLE ASSY,RF:75OHM COAX(RG179),7.5CM L,BNC TO MCX	80009	
	174-B851-00			1	CABLE ASSY,RF:75OHM COAX(RG179),5.5CM L,BNC TO MCX	80009	
-7	211-A245-00			5	SCREW,MACHINE:M3X6MM L,PNH,STL,NI PL,CROSS REC,W/KOGATAMARU&LOCK WASHER	80009	
-8	334-1378-03			1	MARKER,IDENT:MKD SERIAL NO. FOR SONY/TEK	80009	
-9	342-A146-00			1	INSULATOR,PLATE:HEAT CONDUCTOR,RUBBER,20MMX20MMX100MM THK [TC1000-TKC]	80009	
					OPTIONAL ACCESSORIES		
	070-A800-XX			1	MANUAL,TECH:SERVICE,TG700	TK0191	
	003-A041-00			1	NUTDRIVER,BOX:14MM HEX,BNC RETAINING NUT,MODIFIED 19MM	TK0191	

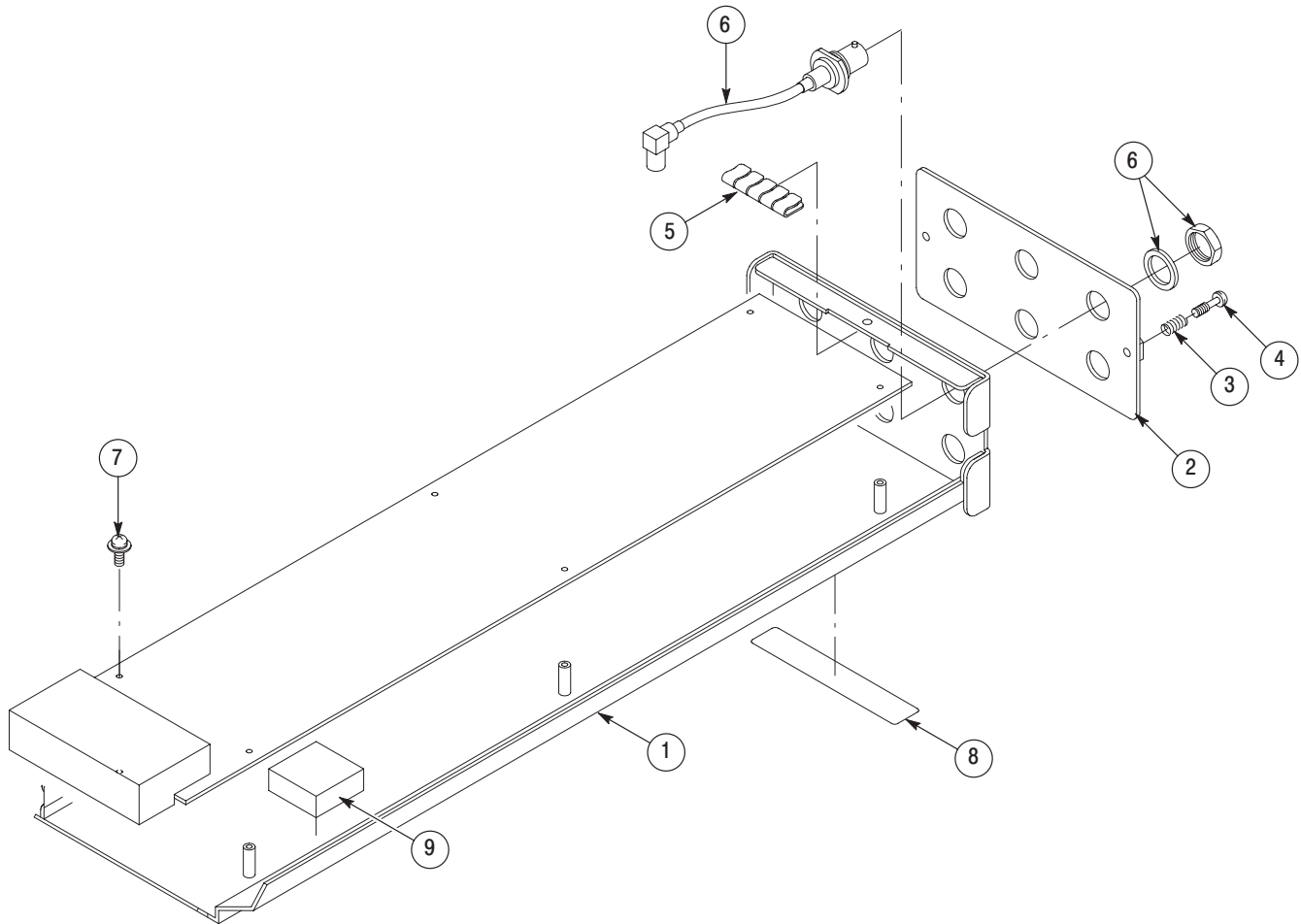


Figure 10-1: AGL7 Genlock module exploded view

Service Manual



ATG7 Analog Test Generator

Copyright © Tektronix, Inc. All rights reserved.

Copyright © Sony/Tektronix Corporation. All rights reserved.

Printed in Japan.

Sony/Tektronix Corporation, 5-9-31 Kitashinagawa, Shinagawa-ku, Tokyo 141-0001 Japan

Tektronix, Inc., P.O. Box 500, Beaverton, OR 97077

TEKTRONIX and TEK are registered trademarks of Tektronix, Inc.

Table of Contents

Preface	v
Manual Structure	v
Related Manuals	vi
Contacting Tektronix	vi

Specifications

Specifications	1-1
Product Description	1-1
Electrical Characteristics	1-2
Environmental Characteristics	1-5

Operating Information

Operating Instructions	2-1
Operation Procedure	2-1
Selecting an Output Signal	2-2
ATG7 Module Main Menu	2-4

Theory of Operation

Theory of Operation	3-1
----------------------------------	------------

Performance Verification

Performance Verification	4-1
Preparation for Performance Verification	4-1
Equipment Required	4-1
Calibration Data Report	4-2
Performance Verification Procedures	4-4

Adjustment Procedures

Adjustment Procedures	5-1
Requirements for Adjustment	5-1
Equipment Required	5-1
Output Offset and Gain Adjustment	5-2

Maintenance

Maintenance	6-1
Preparation	6-1
Inspection and Cleaning	6-3
Repackaging Instructions	6-3
Removal and Replacement	6-5
Tools Required	6-5
Replacing the Rear Panel Connectors and Chassis	6-5
Troubleshooting	6-7
Equipment Required	6-7
Backing up the instrument settings	6-7
Troubleshooting Trees	6-8

Option

Option	7-1
Option D1 Description	7-1

Replaceable Electrical Parts

Replaceable Electrical Parts	8-1
---	------------

Diagram

Diagram	9-1
----------------------	------------

Mechanical Parts List

Mechanical Parts List	10-1
Parts Ordering Information	10-1
Using the Replaceable Parts List	10-2

List of Figures

Figure 2–1: ATG7 module main menu	2–5
Figure 2–2: SELECT OUTPUT submenu	2–6
Figure 2–3: SELECT SIGNAL submenu	2–6
Figure 2–4: ID TEXT submenu	2–7
Figure 2–5: TIMING submenu	2–8
Figure 2–6: APL submenu	2–8
Figure 3–1: Simplified block diagram of the ATG7 Generator module	3–2
Figure 4–1: Equipment connection for verifying pulse amplitude ...	4–4
Figure 4–2: Equipment connection for verifying burst and sync amplitude	4–8
Figure 5–1: ATG7 circuit board view	5–2
Figure 5–2: Equipment connection for adjusting the output offset and gain	5–3
Figure 6–1: Troubleshooting procedure (1)	6–8
Figure 6–2: Troubleshooting procedure (2)	6–9
Figure 9–1: ATG7 Generator module connections	9–1
Figure 10–1: ATG7 Generator module exploded view	10–4

List of Tables

Table 1–1: Black burst and timing pulse outputs	1–2
Table 1–2: Color bars signal output	1–3
Table 1–3: Test signal output	1–4
Table 1–4: Common outputs characteristics	1–4
Table 1–5: Environmental characteristics	1–5
Table 2–1: Signal set assigned to the test signal buttons	2–3
Table 4–1: Equipment required for performance verification	4–1
Table 4–2: ATG7 calibration data report	4–2
Table 5–1: Equipment required	5–1
Table 6–1: Required tools	6–5
Table 6–2: Equipment required for troubleshooting	6–7

Preface

This is the service manual for the ATG7 Analog Test Generator module. This manual contains information needed to service an ATG7 Generator module to the module level.

Manual Structure

This manual is divided into sections, such as the *Specifications* and *Theory of Operation*. Further, some sections are divided into subsections, such as *Product Description* and *Removal and Installation Procedures*.

Sections containing procedures also contain introductions to those procedures. Be sure to read these introductions because they provide information needed to do the service correctly and efficiently. The following are a brief descriptions of each manual section.

- *Specifications* contains a description of the ATG7 Generator module and the characteristics that apply it.
- *Operating Information* provides basic operating information.
- *Theory of Operation* is an overview of the module's design.
- *Performance Verification* contains procedures to perform the operation tests.
- *Adjustment Procedures* contains procedures for adjusting an ATG7 Generator module to meet warranted characteristics.
- *Maintenance* contains installation, removal and replacement, and troubleshooting instructions.
- *Option* contains a description of available option for the ATG7 Generator module.
- *Replaceable Electrical Parts* for the module level are included in the Replaceable Mechanical Parts list.
- *Diagram* contains interconnect diagram showing the connections between the ATG7 Generator module and the mainframe.
- *Replaceable Mechanical Parts* lists the part numbers for replacement parts that you can order. Exploded view illustrations help you to identify the parts.

Related Manual

The following document is related to the ATG7 Generator module.

- The *TG700 TV Signal Generator Platform User Manual* (Tektronix part number 070-A799-XX) describes how to use the TG700 mainframe and all modules. It also contains information about remote commands and programming structure for the TG700 mainframe and all modules.

Contacting Tektronix

Phone	1-800-833-9200*
Address	Tektronix, Inc. Department or name (if known) 14200 SW Karl Braun Drive P.O. Box 500 Beaverton, OR 97077 USA
Web site	www.tektronix.com
Sales support	1-800-833-9200, select option 1*
Service support	1-800-833-9200, select option 2*
Technical support	Email: techsupport@tektronix.com 1-800-833-9200, select option 3* 1-503-627-2400 6:00 a.m. – 5:00 p.m. Pacific time

* **This phone number is toll free in North America. After office hours, please leave a voice mail message. Outside North America, contact a Tektronix sales office or distributor; see the Tektronix web site for a list of offices.**



Specifications

Specifications

This section contains a general product description of the ATG7 Generator module followed by the operating specifications of the module.

Product Description

The ATG7 Generator module is designed for installation in the TG700 TV Signal Generator Platform.

The module is an analog test signal generator that provides NTSC/PAL analog composite signals. PAL-M and PAL-N are not supported by the AGL7, ATG7 and BG7 modules. The ATG7 Generator module contains the following features:

- **SIGNAL output:**
 - Outputs test signals selectable from the front-panel test signal buttons
 - Overlay ID text on the video signal
- **BARS output:**
 - Outputs NTSC (with or without setup) /PAL color bar signals, black burst signals, and other test signals (Other 1 and Other 2)
 - Overlay ID text on the video signal
- **BLACK 1 and BLACK 2 outputs:**
 - Outputs NTSC (with or without setup)/PAL black burst signals, composite sync signal, composite blanking signal, NTSC (with or without setup)/PAL subcarrier signals, H/V drive signals, color frame ID signal, and PAL pulse signal
- Individual format and timing control for each output
- Full remote control using Ethernet interface

Electrical Characteristics

Tables 1–1 through 1–4 list the electrical characteristics of the ATG7 Generator module.

Table 1–1: Black burst and timing pulse outputs

Characteristic	Performance requirements	Reference information
Connector	BNC	
Number of outputs	2	BLACK 1 and BLACK 2
Output impedance, typical	75 Ω	
Black burst output signals		
NTSC and NTSC No Setup		Black Burst Black Burst with Field REF
PAL		Black Burst Black Burst with No Field REF
Timing pulse output		
Amplitude accuracy	1.0 V \pm 0.1 V	
Rise time		
NTSC and NTSC No Setup	140 ns \pm 20 ns	
PAL	250 ns \pm 20 ns	
Output signals		
NTSC and NTSC No Setup		Composite Sync Composite Blanking Subcarrier H Drive V Drive Color Frame ID
PAL		Composite Sync Composite Blanking Subcarrier H Drive V Drive Color Frame ID PAL Pulse

Table 1-2: Color bars signal output

Characteristic	Performance requirements	Reference information
Connector	BNC	
Number of outputs	1	BARS
Output impedance, typical	75 Ω	
Output signals NTSC and NTSC No Setup		SMPTE Color Bar 100 % Color Bar 75 % Color Bar 40 % Flat Field Black Burst Black Burst with Field REF Other 1 Other 2
PAL		100 % Colour Bar 75 % Colour Bar 100 % Colour Bar Over Red 75 % Colour Bar Over Red 40 % Flat Field Black Burst Black Burst No Field REF Other 1 Other 2
ID text	Maximum 18 characters	
Luminance amplitude accuracy	$\pm 1\%$	Measured at 700 mV.
Chrominance to luminance gain	$\pm 2\%$	Chrominance is measured at red portion of the 75 % Colour Bar Over Red signal.

Table 1-3: Test signal output

Characteristic	Performance requirements	Reference information
Connector	BNC	
Number of outputs	1	SIGNAL
Output impedance, typical	75 Ω	
Output signals		Refer to Table 2-1 on page 2-3 for detailed information about the output signals.
ID text	Maximum 18 characters	
Luminance amplitude accuracy	$\pm 1\%$	Measured at 700 mV.
Chrominance to luminance gain	$\pm 1\%$	
Frequency response	$\pm 1\%$	To 5 MHz
Chrominance to luminance delay	≤ 10 ns	Measured at 500 kHz and 4.43 MHz.
Linearity	$< 1\%$	$< 0.5\%$ (typical); measured at 5 step signal.
Differential gain error	$< 0.5\%$	Measured at modulated 5 step signal.
Differential phase error	$< 0.5^\circ$	Measured at modulated 5 step signal.
Field tilt	$< 0.5\%$	
Line tilt	$< 0.5\%$	

Table 1-4: Common outputs characteristics

Characteristic	Performance requirements	Reference information
Return loss	≥ 36 dB	To 6 MHz
Burst amplitude accuracy	$\pm 2\%$	
Sync amplitude accuracy	$\pm 2\%$	
Blanking level	0 mV \pm 50 mV	
SCH phase accuracy	$0^\circ \pm 5^\circ$	
Timing offset		
Range	Full color frame	
Resolution	54 MHz clock resolution	≈ 18.5 ns

Environmental Characteristics

Tables 1–5 lists the environmental characteristics of the ATG7 Generator module.

Table 1–5: Environmental characteristics

Characteristic	Description
Temperature	
Operating	0° C to +50° C
Non-operating	-20° C to +60° C
Relative Humidity	
Operating	20 % to 80 % (No condensation) ; Maximum wet-bulb temperature 29.4° C
Non-operating	5 % to 90 % (No condensation) ; Maximum wet-bulb temperature 40.0° C
Altitude	
Operating	To 4.5 km (15,000 feet) Maximum operating temperature decreases 1° C each 300 m above 1.5 km.
Non-operating	To 15 km (50,000 feet)
Vibration	
Operating	3.04 m/s ² (0.31 G _{rms}), 5 Hz to 500 Hz, 10 min, three axes
Non-operating	23.3 m/s ² (2.38 G _{rms}), 5 Hz to 500 Hz, 10 min, three axes
Shock	
Non-operating	294 m/s ² (30 G), half-sine, 11 ms duration



Operating Information

Operating Instructions

Before servicing the ATG7 Generator module, read the following operating instructions. These instructions are at a level appropriate for servicing the ATG7 Generator module. The user manual contains complete operator instructions.

This section provides the following information:

- Operating Procedure
- Selecting an Output Signal
- ATG7 Module Main Menu

Operating Procedure

After the module is installed in the mainframe, and the mainframe is installed in the rack or other location where it will be used, access each function of the module with the following procedure:

1. Connect the power connector on the rear panel to the AC electric power source using the power cord. Electric power is supplied to the mainframe.
2. Wait until the mainframe and installed modules completely initialize. Check that no error messages appear on the display.
3. The top menu item of the mainframe main menu shown below appears on the display after initialization is complete.



TG700 : PRESET

4. Press the front-panel **MODULE** button until the ATG7 module main menu appears, as shown below.



ATG7 [x] : STATUS : NTSC
SMPTE Color Bars

5. Select the signal format and the signal you want to output. Refer to *Selecting a Output Signal* on page 2–2 for more information.
6. Press the front-panel arrow buttons to select the desired main menu item or submenu item.

Refer to *ATG7 Module Main Menu* beginning on page 2–4 for detailed information about the main menu items and the submenu items.

Selecting an Output Signal

The ATG7 Generator module provides the capability to output test signals assigned to the corresponding test signal buttons from the SIGNAL connector. When you output a signal from the connector, you need to select a signal format and output signal. This subsection provides instructions on how to output a signal.

Selecting a Format

If you press the front-panel **FORMAT** button when the ATG7 Generator module is selected (active), you can select the format for the output signals.

Perform the following steps to select the format:

1. Confirm that any of the menu items of the ATG7 module main menu is displayed. If the menu is not displayed, press the front-panel **MODULE** button until the ATG7 module main menu appears, as shown below.



ATG7 [x] : STATUS : NTSC
SMPTE Color Bars

2. Press the **FORMAT** button. The menu display changes as follows:



ATG7 [x] : SELECT FORMAT
NTSC (Current)

3. Press the left (◀) or right (▶) arrow button, or press the **FORMAT** button repeatedly to select one of the signal formats, and then press the **ENTER** button to confirm the selection.

NOTE. When you change signal format, synchronization shock occurs.

Selecting a Signal

All the signal sets available in the module are already assigned to corresponding test signal buttons. When you press any of the buttons, one of the signals in the signal set is output.

For example, when you press the **COLOR BAR** test signal button, you can output the **100% Color Bars** signal in the Color Bars signal set.

Press the left (◀) or right (▶) arrow button, or press the test signal button repeatedly to select different signals assigned to the test signal button.

Table 2–1 lists the signal sets assigned to the test signal buttons, and shows the signals available in each signal set. The list of available signals changes, depending on the signal format.

Table 2-1: Signal set assigned to the test signal buttons

Button name	Signal set	Signals in the signal set
NTSC and NTSC No Setup formats		
COLOR BAR	Color Bars	100% Color Bars, 75% Color Bars, SMPTE Color Bars
LINEARITY	Linearity	5 Step, 10 Step, Modulated 5 Step, Modulated Pedestal, Modulated Ramp, Ramp, Shallow Ramp
FLAT FIELD	Flat Fields	0% Flat Field (NTSC format only), 10% Flat Field, 40% Flat Field, 50% Flat Field, 100% Flat Field, Field Square Wave, Black Burst, Black Burst with Field Reference
MULTIBURST	Multiburst	100% Multiburst, 60% Multiburst, Multipulse
SWEEP	Sweep	100% Sweep, 60% Sweep, Chroma Response
MONITOR	Monitor	100% Red Field, 75% Red Field, 2 Level Ped. & Pluge, 4 Level Ped. & Pluge, Convergence, Grey Window, White Window, Safe Area, Monitor Setup
PULSE BAR	Pulse & Bar	Window 2T Pulse Bar, Sin X/X
OTHER	Other	FCC Composite, FCC Multiburst, NTC7 Combination, NTC7 Composite, Test Matrix, SNG Color Bars

Table 2-1: Signal set assigned to the test signal buttons (Cont.)

Button name	Signal set	Signals in the signal set
PAL format		
COLOR BAR	Color Bars	100% Colour Bars, 75% Colour Bars, 100% Colour Bars Over Red, 75% Colour Bars Over Red
LINEARITY	Linearity	5 Step, 10 Step, Modulated 5 Step, Modulated 10 Step, Modulated Pedestal, Modulated Ramp, Ramp, Shallow Ramp
FLAT FIELD	Flat Fields	40% Flat Field, 50% Flat Field, 100% Flat Field, Field Square Wave, Black Burst, Black Burst with No Field Reference, Field Square Wave
MULTIBURST	Multiburst	100% Multiburst, Multipulse
SWEEP	Sweep	100% Sweep, 60% Sweep
MONITOR	Monitor	100% Red Field, 75% Red Field, 2 Level Ped. & Pluge, 4 Level Ped. & Pluge, Convergence, Grey Window, White Window, Safe Area, Monitor Setup Matrix
PULSE BAR	Pulse & Bar	2T Pulse & Bar, Sin X/X
OTHER	Other	CCIR 17, CCIR 18, CCIR 330, CCIR 331, UK ITS 1, UK ITS 2, UK 1 Line ITS, ITS Matrix

ATG7 Module Main Menu

You can set the text overlay, timing offset, and APL feature of the SIGNAL output using the ATG7 module main menu. This menu also provides the access point to the SELECT OUTPUT submenu where you can set the output parameters for the BLACK 1, BLACK 2, and BARS outputs.

Use the up (▲) or down (▼) arrow button to scroll through the main menu. Figure 2-1 shows the ATG7 module main menu.

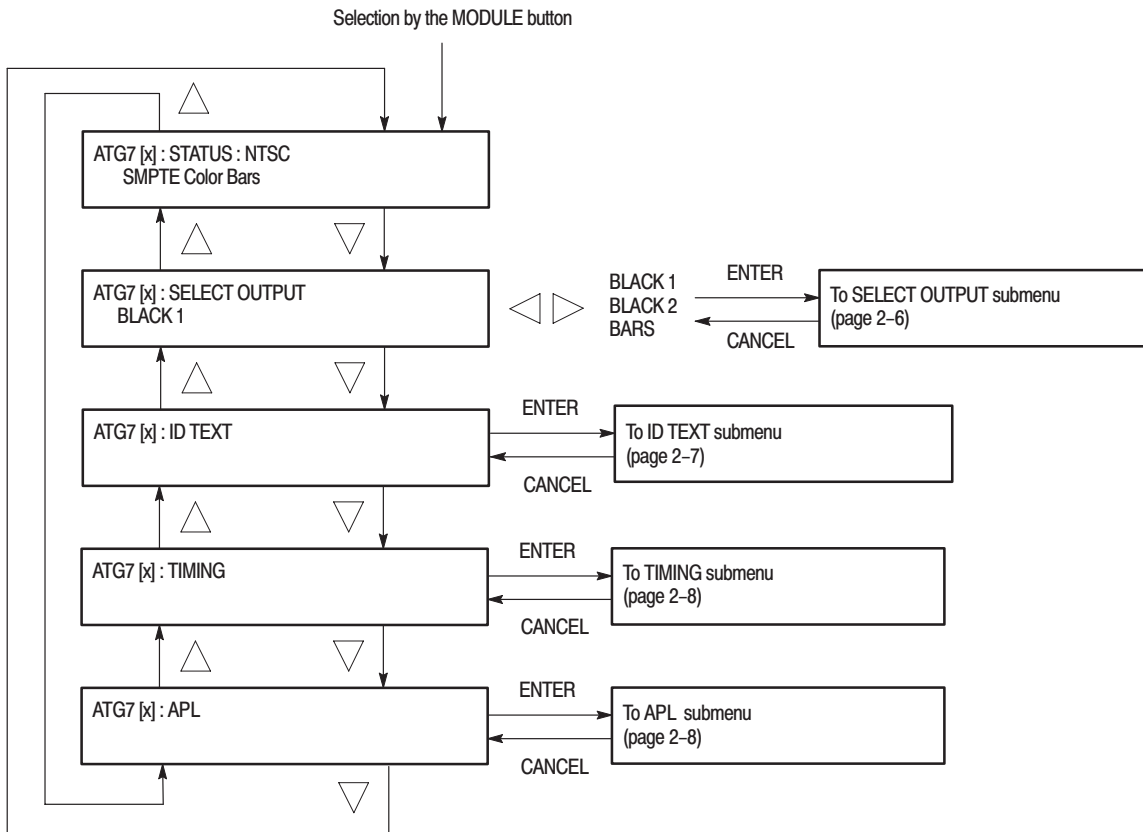


Figure 2-1: ATG7 module main menu

SELECT OUTPUT Submenu

This menu allows you to set the video format, signal, and timing offset for the BLACK 1, BLACK 2, or BARS output. You can also set the ID text overlay for the BARS output using this menu. Figure 2–2 shows the SELECT OUTPUT submenu.

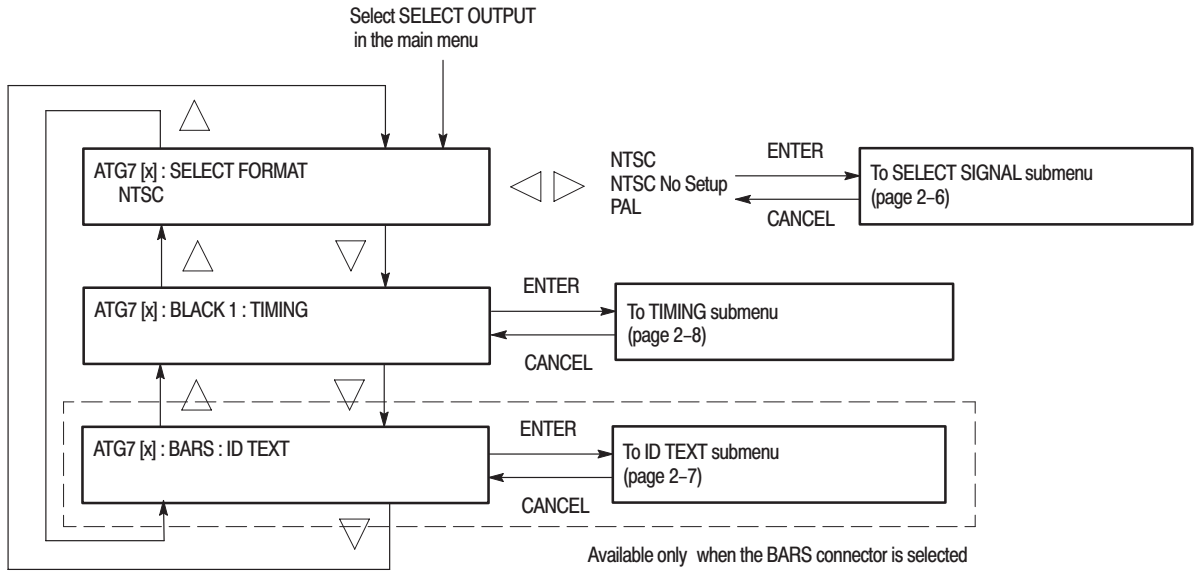


Figure 2-2: SELECT OUTPUT submenu

SELECT SIGNAL Submenu

This menu allows you to select an output signal for the BLACK 1, BLACK 2, or BARS connector. Figure 2–3 shows the SELECT SIGNAL submenu.

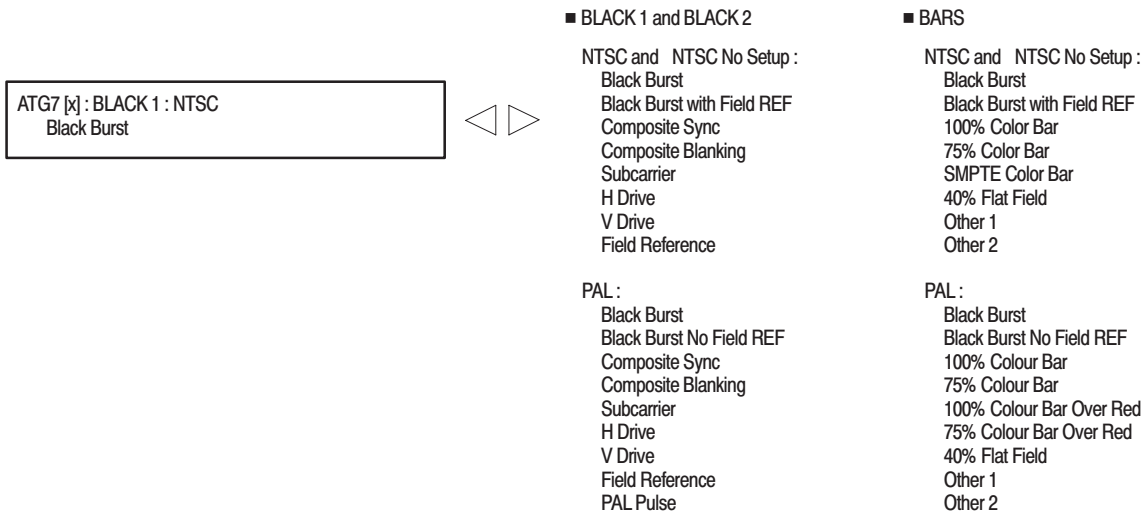


Figure 2-3: SELECT SIGNAL submenu

ID TEXT Submenu

This menu allows you to edit text that is overlaid on the signal for the SIGNAL and BARS outputs, and to set the display position of the text. Use the up (▲) or down (▼) arrow button to scroll through the menu. Figure 2–4 shows the ID TEXT submenu.

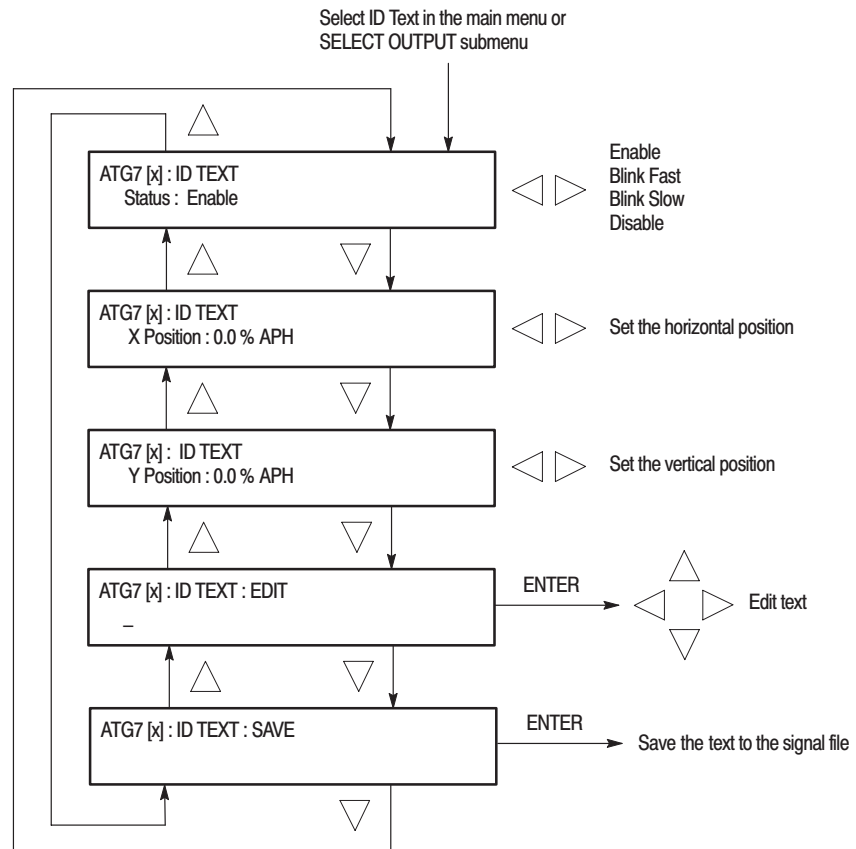


Figure 2–4: ID TEXT submenu

TIMING Submenu

This menu allows you to adjust the timing offset of the selected output relative to the internal reference signal (frame reset signal). Use the up (▲) or down (▼) arrow button to scroll through the menu. Figure 2–5 shows the TIMING submenu.

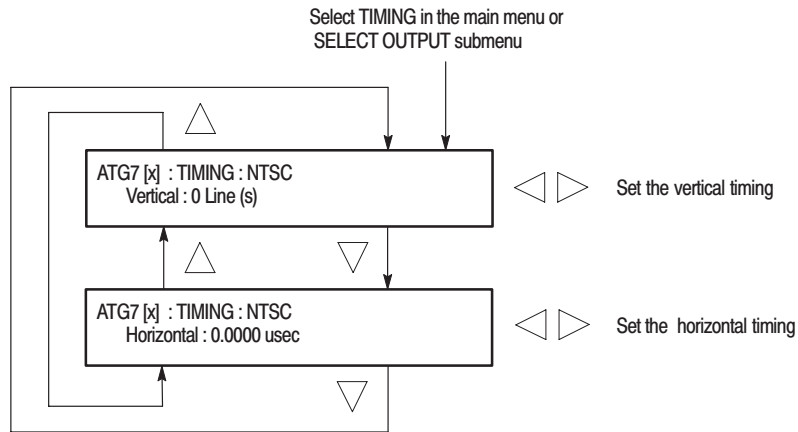


Figure 2-5: TIMING submenu

APL Submenu

This menu allows you to set the APL and Bounce features for the test signal output from the SIGNAL connector. Use the up (▲) or down (▼) arrow button to scroll through the menu. Figure 2–6 shows the APL submenu.

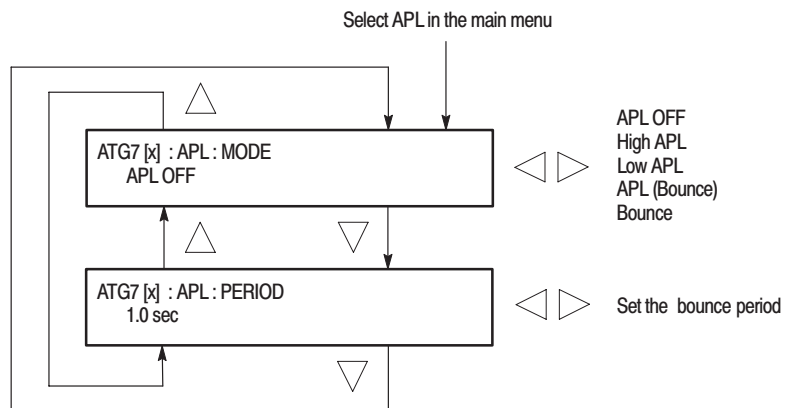


Figure 2-6: APL submenu



Theory of Operation

Theory of Operation

This section describes the basic operation of the major circuit blocks in the ATG7 Generator module.

For information about the TG700 mainframe, refer to the *TG 700 TV Signal Generator Platform Service Manual*.

Bus Interface	This block provides the communication between the mainframe and the module circuit.
Black Burst Generator	This block generates NTSC or PAL black burst digital data.
BARS Generator	This block generates digital data for color bars, black burst, and other signals.
SIGNAL Generator	This block generates digital data for the test signals assigned to the front-panel buttons.
D/A Convertor & Amp	This block consists of a D/A convertor, two amplifiers, and a filter. It converts the digital data from the black burst generator, BARS generator, and SIGNAL generator to analog signal and re-construct the signal for output.

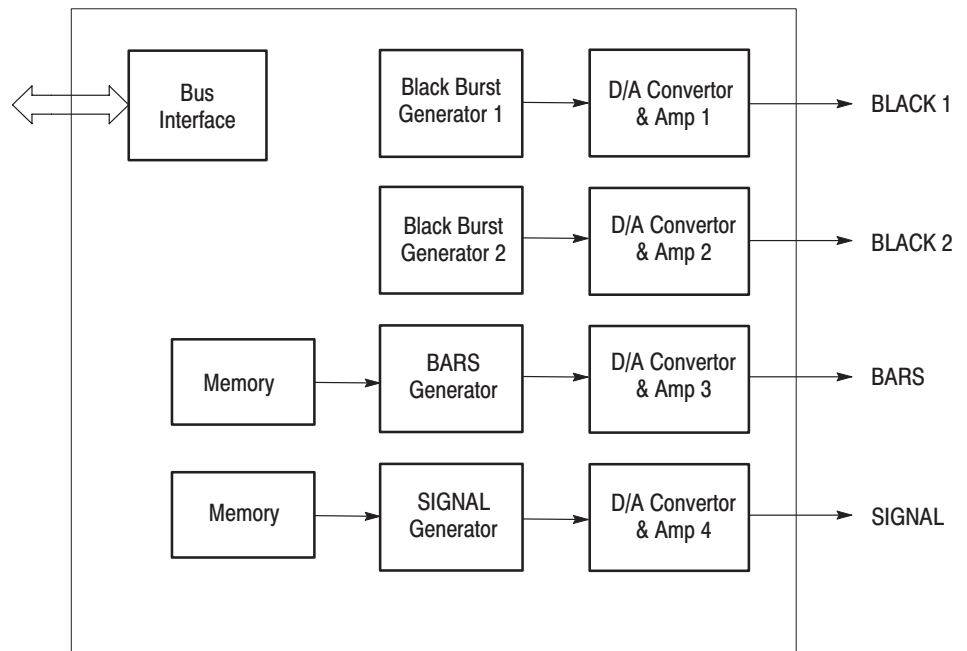


Figure 3-1: Simplified block diagram of the ATG7 Generator module



Performance Verification

Performance Verification

This section provides procedures that verify the performance and functionality of the ATG7 Generator module.

Preparation for Performance Verification

Do the following before starting the performance verification procedures:

Power On Default Settings

Before you perform the performance verification procedures, make sure that the required instrument settings are saved in the Power On Default preset.

If the instrument settings are saved in the Power On Default preset, you can recall the settings after completing the performance verification procedures by removing and reapplying the power.

Warm up

The ATG7 Generator module and test equipment must have had a warm-up period of at least 20 minutes.

Equipment Required

Table 4–1 lists the equipment required for the procedures.

Table 4–1: Equipment required for performance verification

Item	No.	Minimum requirement	Recommended equipment
Oscilloscope	1	Bandwidth: 200 MHz or higher	Tektronix TDS540D
Video measurement set	1		Tektronix VM700T Option 01/11
75 Ω BNC cable	1	Length: 42 inches	Tektronix part no. 012-0074-00
75 Ω feed-through terminator	1		Tektronix part no. 011-0103-02
75 Ω coax terminator	1		Tektronix part no. 011-0102-01

Calibration Data Report

Photocopy this form and use it to record the performance test results.

Table 4-2: ATG7 calibration data report

Serial Number:		Cal Date:	Temperature:	Humidity:
Step	Function Tested	Minimum	Cal Data	Maximum
SIGNAL Output (Tested format : NTSC)				
1.	Luminance Amplitude (Measured on 75% Color Bars signal)	707.2 mV	mV	721.0 mV
2.	Chrominance to Luminance Gain Ratio (Measured on FCC Composite signal)	-1.0 %	%	1.0 %
3.	Chrominance to Luminance Delay (Measured on FCC Composite signal)	-----	ns	10 ns
4.	Differential Phase and Gain (Measured on Modulated 5 Step signal)			
	Gain	-----	OK	0.5 %
	Phase	-----	OK	0.5 °
SIGNAL Output (Tested format : PAL)				
5.	Luminance Amplitude (Measured on 75% Colour Bars signal)	693.0 mV	mV	707.0 mV
6.	Chrominance to Luminance Gain Ratio (Measured on CCIR17 signal)	-1.0 %	%	1.0 %
7.	Chrominance to Luminance Delay (Measured on CCIR17 signal)	-----	ns	10 ns
8.	Differential Phase and Gain (Measured on Modulated 5 Step signal)			
	Gain	-----	OK	0.5 %
	Phase	-----	OK	0.5 °
9.	Luminance Linearity Error (Measured on 5 Step signal)	-----		1.0 %
10.	Frequency Response (to 5.0 MHz) (Measured on DAC Test signal)	-1.0 %	OK	1.0 %
BARS Output (Tested format : PAL)				
11.	Luminance Gain (Measured on 75% Colour Bar Over Red signal)	693.0 mV	mV	707.0 mV
12.	Chrominance Gain (Measured on 75% Colour Bar Over Red signal)	693.0 mV	mV	707.0 mV

Table 4-2: ATG7 calibration data report (Cont.)

Step	Function Tested	Minimum	Cal Data	Maximum
BLACK 1 and BLACK 2 Outputs				
13.	Timing Pulse Amplitude			
	BLACK 1 (Peak to Peak value)	900 mV	mV	1100 mV
	BLACK 2 (Peak to Peak value)	900 mV	mV	1100 mV
SIGNAL, BARS, BLACK 1, and BLACK2 Outputs (Common function)				
14.	Blanking Level			
	SIGNAL	-50 mV	mV	50 mV
	BARS	-50 mV	mV	50 mV
	BLACK 1	-50 mV	mV	50 mV
	BLACK 2	-50 mV	mV	50 mV
15.	Burst Amplitude			
	SIGNAL (Peak to Peak value)	280 mV	mV	291.4 mV
	BARS (Peak to Peak value)	280 mV	mV	291.4 mV
	BLACK 1 (Peak to Peak value)	280 mV	mV	291.4 mV
	BLACK 2 (Peak to Peak value)	280 mV	mV	291.4 mV
16.	Sync Amplitude			
	SIGNAL	280 mV	mV	291.4 mV
	BARS	280 mV	mV	291.4 mV
	BLACK 1	280 mV	mV	291.4 mV
	BLACK 2	280 mV	mV	291.4 mV

Performance Verification Procedures

Be sure you have performed the *Preparation for Performance Verification* before proceeding.



WARNING. Dangerous electric shock hazards exist inside the TG700 mainframe. Only qualified service personnel should perform these procedures.

Timing Pulse Outputs (BLACK 1 and BLACK 2)

This test verifies the pulse amplitude of the H drive signal from the BLACK 1 and BLACK 2 outputs. The following equipment is required for the test:

- Oscilloscope
- 75 Ω BNC cable
- 75 Ω feed-through terminator

Perform the following procedure to verify that the pulse amplitude of the H drive signal from the BLACK 1 and BLACK 2 outputs.

1. Use the 75 Ω BNC cable and the 75 Ω feed-through terminator to connect the BLACK 1 connector on the ATG7 Generator module to the oscilloscope CH1 input as shown in Figure 4–1.

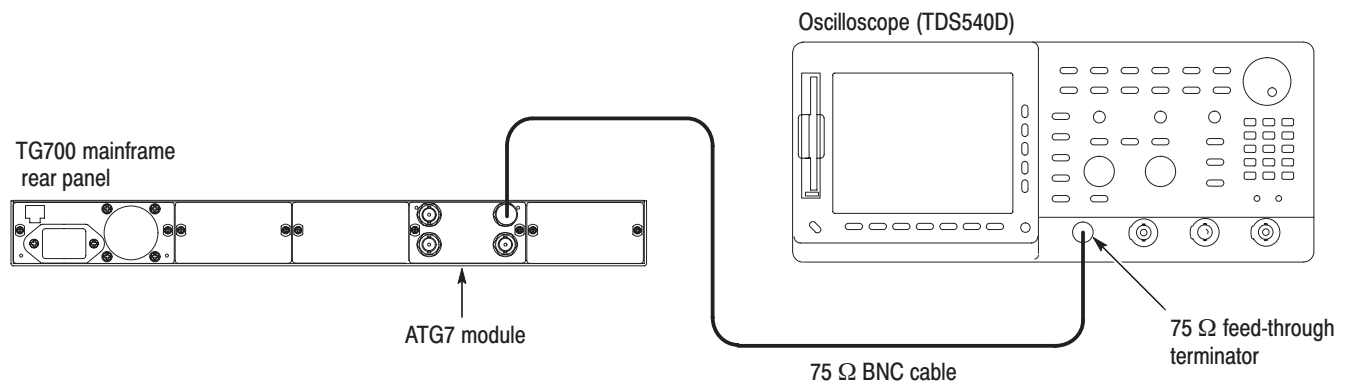


Figure 4–1: Equipment connection for verifying pulse amplitude

2. Recall the Factory Default preset as follows:
 - a. Press the **MODULE** button to display the TG700 main menu.
 - b. Press the up (▲) or down (▼) arrow button to select **RECALL**.
 - c. Press the left (◀) or right (▶) arrow button to select **Factory Default**.
 - d. Press the **ENTER** button to recall the factory default settings.
3. Select the **H Drive** signal for BLACK 1 and BLACK 2 as follows:
 - a. Press the **MODULE** button to display the ATG7 main menu.
 - b. Press the up (▲) or down (▼) arrow button to select **SELECT OUTPUT**.
 - c. Press the left (◀) or right (▶) arrow button to select **BLACK 1**, and then press the **ENTER** button.
 - d. Press the left (◀) or right (▶) arrow button to select **NTSC**, and then press the **ENTER** button.
 - e. Press the left (◀) or right (▶) arrow button to select **H Drive**, and then press the **ENTER** button.
 - f. Press the **CANCEL** button twice to return the module main menu.
 - g. Repeat steps c through f to select the H Drive signal for BLACK 2.
4. Set the oscilloscope settings as indicated below:

Vertical	200 mV/div
Vertical offset	0 V
Horizontal	200 ns/div
Horizontal position	Center
Trig position	50 %
Trig slope	Rising Edge
Acquire menu	Average 32
Measure menu	Pk-Pk
5. Verify that the pulse amplitude is within the range of 0.900 V to 1.100V.
6. Move the BNC cable from the BLACK 1 connector to the BLACK 2 connector on the ATG7 Generator module and repeat step 5.

Black Burst Outputs

This test verifies the blanking level, burst amplitude, and sync amplitude of black burst signals. The following equipment is required for the test:

- Oscilloscope
- Video measurement set
- 75 Ω BNC cable
- 75 Ω feed-through terminator
- 75 Ω coax terminator

Perform the following procedure to verify the blanking level, burst amplitude, and sync amplitude of black burst signals.

Use the equipment connection and controls from the previous test.

1. Move the BNC cable from the BLACK 2 connector to the BLACK 1 connector on the ATG7 Generator module
2. Select the **Black Burst** signal for BLACK 1, BLACK 2, and BARS as follows:
 - a. Press the **MODULE** button to display the module main menu.
 - b. Press the left (◀) or right (▶) arrow button to select **BLACK 1**, and then press the **ENTER** button.
 - c. Press the left (◀) or right (▶) arrow button to select **NTSC**, and then press the **ENTER** button.
 - d. Press the left (◀) or right (▶) arrow button to select **Black Burst**, and then press the **ENTER** button.
 - e. Press the **CANCEL** button twice to return the module main menu.
 - f. Repeat steps b to e to select the NTSC black burst signal for BLACK 2 and BARS.
3. Select the **Black Burst** signal for SIGNAL as follows:
 - a. Press the **FORMAT** button to select **NTSC**, and then press the **ENTER** button.
 - b. Press the **FLAT FIELD** button to select **Black Burst**.

4. Set the oscilloscope settings as indicated below:

Vertical 50 mV/div
Vertical offset 0 V
Horizontal 1 μ s/div
Horizontal position Center
Trig position 10 %
Acquire menu Average 32
Measure menu Mean
Trig type Video
Trig standard NTSC
Trig source CH1
Trig polarity Negative
Trig field Odd Field
Trig line 2
Trig mode MONO (2 Field)

- 5.** Verify that the blanking level is within the range of -50 mV to $+50$ mV.
- 6.** Move the BNC cable from the BLACK 1 connector to the BLACK 2 connector on the ATG7 Generator module and repeat step 5.
- 7.** Move the BNC cable from the BLACK 2 connector to the SIGNAL connector on the ATG7 Generator module and repeat step 5.
- 8.** Move the BNC cable from the SIGNAL connector to the BARS connector on the ATG7 Generator module and repeat step 5.
- 9.** Move the BNC cable from the BARS connector to the BLACK 1 connector on the ATG7 Generator module.
- 10.** Disconnect the BNC cable from the $75\ \Omega$ feed-through terminator on the oscilloscope's input, and then connect the BNC cable to the CHAN A connector on the video measurement set as shown in Figure 4-2.
- 11.** Use the $75\ \Omega$ coax terminator to terminate the other loop through to the CHAN A connector on the video measurement set.

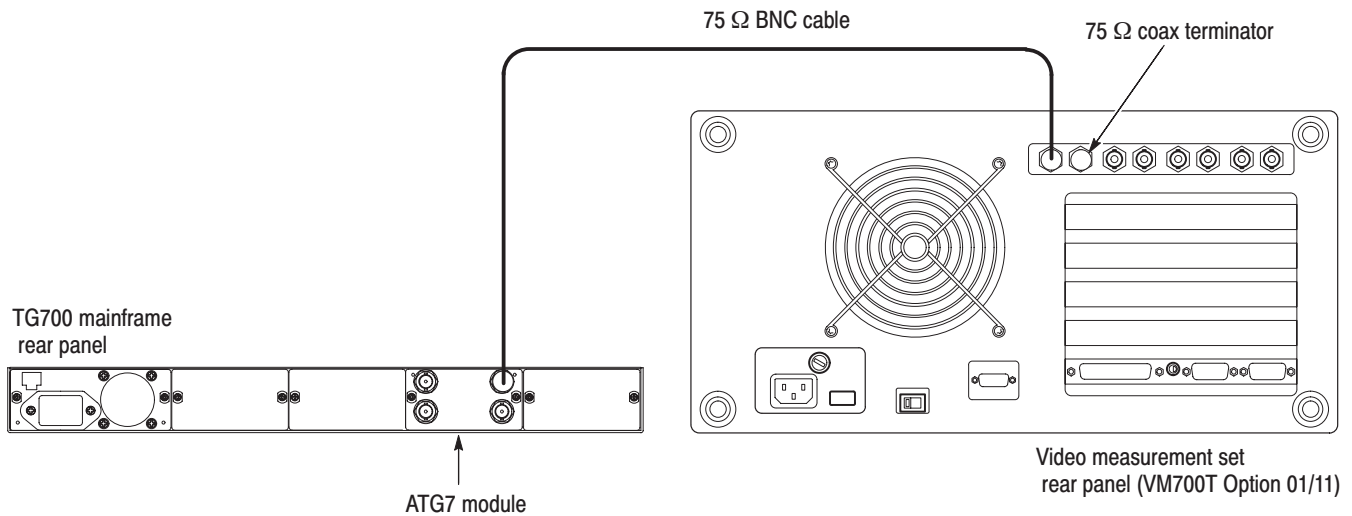


Figure 4-2: Equipment connection for verifying burst and sync amplitude

12. Press the **Measure** button on the video measurement set to open the Measure mode display.
13. Touch the **Mode** soft key to set the instrument to Analog mode, and then touch the **H_Timing** soft key.
14. Press the **Menu** button to display the H_Timing main menu.
15. Touch the **Average** soft key and rotate the front-panel knob to set the value to 32.
16. Touch the **RS-170A** soft key.
17. Press the **Select Line** button and rotate the front-panel knob set the measurement line to 100 (Field=1 Line=100).
18. Verify that the burst and sync amplitude are within the range of 39.2 IRE to 40.8 IRE.
19. Move the BNC cable from the **BLACK 1** connector to the **BLACK 2** connector on the ATG7 Generator module and repeat step 18.
20. Move the BNC cable from the **BLACK 2** connector to the **SIGNAL** connector on the ATG7 Generator module and repeat step 18.
21. Move the BNC cable from the **SIGNAL** connector to the **BARS** connector on the ATG7 Generator module and repeat step 18.

Luminance and Chrominance Gain (BARS Output)

This test verifies the luminance and chrominance gain of the 75% colour bar over red signal from the BARS output. The following equipment is required for the test:

- Video measurement set
- 75 Ω feed-through terminator
- 75 Ω coax terminator

Perform the following procedure to verify the luminance and chrominance gain of the 75% colour bar over red signal from the BARS output.

Use the equipment connection and controls from the previous test.

1. Select the **75% Colour Bar Over Red** signal for BARS as follows:
 - a. Press the **MODULE** button to display the ATG7 main menu.
 - b. Press the up (**▲**) or down (**▼**) arrow button to select **SELECT OUTPUT**.
 - c. Press the left (**◀**) or right (**▶**) arrow button to select **BARS**, and then press the **ENTER** button.
 - d. Press the left (**◀**) or right (**▶**) arrow button to select **PAL**, and then press the **ENTER** button.
 - e. Press the left (**◀**) or right (**▶**) arrow button to select **75% Colour Bar Over Red**, and then press the **ENTER** button.
2. Press the **Measure** button on the video measurement set to open the Measure mode display.
3. Touch the **Video Standard** soft key to recognize the applied video signal as PAL.
4. In the Measure mode display, touch the **Color Bar** soft key to open the Color Bar measurement display.
5. Press the **Menu** button to display the Color Bar main menu.
6. Touch the **Average** soft key and rotate the front-panel knob to set the value to 256.
7. Press the **Select Line** button and rotate the front-panel knob set the measurement line to 100 (Field=1 Line=100).
8. Verify that the luminance gain (level) is within the range of 693.0 mV to 707.0 mV.
9. Verify that the chrominance gain (level) is within the range of 650.6 mV to 677.0 mV. Note that the chrominance gain is measured by Red.

Luminance Amplitude (SIGNAL Output)

This test verifies the luminance amplitude of the 75% color bars signal (for NTSC) and the 75% colour bars signal (for PAL) from the SIGNAL output.

- Video measurement set
- 75 Ω feed-through terminator
- 75 Ω coax terminator

Perform the following procedure to verify the luminance amplitude of the 75% color bars signal (for NTSC) and the 75% colour bars signal (for PAL) from the SIGNAL output.

Use the equipment connection and controls from the previous test.

NTSC Format.

1. Move the BNC cable from the BARS connector to the SIGNAL connector on the ATG7 Generator module.
2. Select the **75% Color Bars** signal for SIGNAL as follows:
 - a. Press the **MODULE** button to display the ATG7 main menu.
 - b. Press the **FORMAT** button to select **NTSC**, and then press the **ENTER** button.
 - c. Press the **COLOR BAR** button to select **75% Color Bars**.
3. Press the **Measure** button on the video measurement set to open the Measure mode display.
4. Touch the **Video Standard** soft key to recognize the applied video signal as NTSC.
5. Press the **Menu** button, and then touch the **Average** soft key and rotate the front-panel knob to set the value to 256.
6. Touch the **Average** soft key and rotate the front-panel knob to set the value to 256.
7. Press the **Select Line** button and rotate the front-panel knob set the measurement line to 100 (Field=1 Line=100).
8. Verify that the luminance gain (level) is within the range of 707.2 mV to 721.0 mV.

PAL Format.

1. Select the **75% Colour Bars** signal for SIGNAL as follows:
 - a. Press the **FORMAT** button to select **PAL**, and then press the **ENTER** button.
 - b. Press the **COLOR BAR** button to select **75% Colour Bars**.
2. Press the **Measure** button on the video measurement set to open the Measure mode display.
3. Touch the **Video Standard** soft key to recognize the applied video signal as PAL.
4. In the Measure mode display, touch the **Color Bar** soft key to open the Color Bar measurement display.
5. Press the **Menu** button, and then touch the **Average** soft key and rotate the front-panel knob to set the value to 256.
6. Press the **Select Line** button and rotate the front-panel knob set the measurement line to 100 (Field=1 Line=100).
7. Verify that the luminance gain (level) is within the range of 693.0 mV to 707.0 mV.

Chrominance to Luminance Gain and Delay (SIGNAL Output)

This test verifies the chrominance to luminance gain and delay of the FCC composite signal (for NTSC) and the CCIR17 signal (for PAL) from the SIGNAL output.

- Video measurement set
- 75 Ω feed-through terminator
- 75 Ω coax terminator

Perform the following procedure to verify the chrominance to luminance gain and delay of the FCC composite signal (for NTSC) and the CCIR17 signal (for PAL) from the SIGNAL output.

Use the equipment connection and controls from the previous test.

NTSC Format.

8. Select the **FCC Composite** signal for SIGNAL as follows:
 - a. Press the **FORMAT** button to select **NTSC**, and then press the **ENTER** button.
 - b. Press the **OTHER** button to select **FCC Composite**.
9. Press the **Measure** button on the video measurement set to open the Measure mode display.
10. Touch the **Video Standard** soft key to recognize the applied video signal as NTSC.
11. In the Measure mode display, touch the **ChromLum GainDelay** soft key to open the chrominance to luminance gain and delay measurement display.
12. Press the **Menu** button, and then touch the **Average** soft key and rotate the front-panel knob to set the value to 256.
13. Press the **Select Line** button and rotate the front-panel knob set the measurement line to 100 (Field=1 Line=100).
14. Verify that the chrominance gain is 100 % \pm 1 %.
15. Verify that the chrominance delay is within the range of -10 ns to + 10 ns.

PAL Format.

16. Select the **CCIR 17** signal for SIGNAL as follows:
 - a. Press the **FORMAT** button to select **PAL**, and then press the **ENTER** button.

- b. Press the **OTHER** button to select CCIR 17.
17. Press the **Measure** button on the video measurement set to open the Measure mode display.
18. Touch the **Video Standard** soft key to recognize the applied video signal as PAL.
19. In the Measure mode display, touch the **ChromLum GainDelay** soft key to open the chrominance to luminance gain and delay measurement display.
20. Press the **Menu** button, and then touch the **Average** soft key and rotate the front-panel knob to set the value to 256.
21. Press the **Select Line** button and rotate the front-panel knob set the measurement line to 100 (Field=1 Line=100).
22. Verify that the chrominance gain is 100 % \pm 1 %.
23. Verify that the chrominance delay is within the range of -10 ns to + 10 ns.

Differential Phase and Gain (SIGNAL Output)

This test verifies the differential phase and gain of the modulated 5 step signal from the SIGNAL output.

- Video measurement set
- 75 Ω feed-through terminator
- 75 Ω coax terminator

Perform the following procedure to verify the differential phase and gain of the modulated 5 step signal from the SIGNAL output.

Use the equipment connection and controls from the previous test.

NTSC Format.

24. Select the **Modulated 5 Step** signal for SIGNAL as follows:
 - a. Press the **FORMAT** button to select NTSC, and then press the **ENTER** button.
 - b. Press the **LINEARITY** button to select **Modulated 5 Step**.
25. Press the **Measure** button on the video measurement set to open the Measure mode display.
26. Touch the **Video Standard** soft key to recognize the applied video signal as NTSC.

27. In the Measure mode display, touch the **DGDP** soft key to open the differential gain and phase measurement display.
28. Press the **Menu** button, and then touch the **Average** soft key and rotate the front-panel knob to set the value to 256.
29. Press the **Select Line** button and rotate the front-panel knob set the measurement line to 100 (Field=1 Line=100).
30. Verify that the p-p/max value of the differential gain is less than or equal to 0.5 %.
31. Verify that the pk-pk value of the differential phase is less than or equal to 0.5 degree.

PAL Format.

32. Press the **FORMAT** button to select **PAL**, and then press the **ENTER** button.
33. Press the **Measure** button on the video measurement set to open the Measure mode display.
34. Touch the **Video Standard** soft key to recognize the applied video signal as PAL.
35. In the Measure mode display, touch the **DGDP** soft key to open the differential gain and phase measurement display.
36. Press the **Menu** button, and then touch the **Average** soft key and rotate the front-panel knob to set the value to 256.
37. Press the **Select Line** button and rotate the front-panel knob set the measurement line to 100 (Field=1 Line=100).
38. Verify that the p-p/max value of the differential gain is less than or equal to 0.5 %.
39. Verify that the pk-pk value of the differential phase is less than or equal to 0.5 degree.

**Luminance Linearity Error
(SIGNAL Output)**

This verifies the luminance linearity error of the 5 step signal from the SIGNAL output.

- Video measurement set
- 75 Ω feed-through terminator
- 75 Ω coax terminator

Perform the following procedure to verify the luminance linearity error of the 5 step signal from the SIGNAL output.

Use the equipment connection and controls from the previous test.

1. Press the **LINEARITY** button to select **5 Step**.
2. Press the **Measure** button on the video measurement set to open the Measure mode display.
3. In the Measure mode display, touch the **Luminance Non Linearity** soft key to open the luminance non linearity measurement display.
4. Press the **Menu** button, and then touch the **Average** soft key and rotate the front-panel knob to set the value to 256.
5. Press the **Select Line** button and rotate the front-panel knob set the measurement line to 100 (Field=1 Line=100).
6. Verify that p-p value of the luminance non linearity is within the range of -1.0 % to 1.0 %.

**Frequency Response
(SIGNAL Output)**

This verifies the frequency response of the multiburst signal from the SIGNAL output.

- Video measurement set
- 75 Ω feed-through terminator
- 75 Ω coax terminator

Perform the following procedure to verify the frequency response of the multiburst signal from the SIGNAL output.

Use the equipment connection and controls from the previous test.

1. Press the **MULTIBURST** button to select **100% Multiburst**.
2. Press the **Measure** button on the video measurement set to open the Measure mode display.
3. In the Measure mode display, touch the **Multiburst** soft key to open the multiburst measurement display.

4. Press the **Menu** button, and then touch the **Average** soft key and rotate the front-panel knob to set the value to 256.
5. Press the **Select Line** button and rotate the front-panel knob set the measurement line to 100 (Field=1 Line=100).
6. Verify that the amplitude is within the range of -0.08 dB to $+0.08$ dB (0.5 MHz to 4.8 MHz).

This completes the *Performance Verification* procedure. If you require further assistance, contact your nearest Tektronix Service Center.



Adjustment Procedures

Adjustment Procedures

This section contains information needed to adjust the ATG7 Generator module.

Adjustment in the ATG7 Generator module are for the output offset and output gain.

Requirements for Adjustment

Before doing the adjustment, note the following requirements.

Personnel This procedure is only to be performed by trained service technicians.

Warm-Up Period The ATG7 Generator module requires a 20 minute warm-up time in a +20° C to +30° C environment before it is adjusted. Adjustment done before the operating temperature has stabilized may cause errors in performance.

Access When adjusting the output offset and output gain, you need to remove the top cover of the TG700 mainframe. For removal and installation procedures for the top cover, refer to the *TG700 TV Signal Generator Platform Service Manual*.

Equipment Required

Table 5–1 lists the equipment required to adjust the output offset, output gain, and luminance gain.

Table 5–1: Equipment required

Item	No.	Minimum requirement	Recommended equipment
TV signal generator platform	1		Tektronix TG700
Digital multi meter	1	5 1/2 digits	FLUKE 8842A
75 Ω BNC cable	1	Length: 42 inches	Tektronix part no. 012-0074-00
75 Ω coax terminator	1		Tektronix part no. 011-0102-03
BNC T connector	1		Tektronix part no. 103-0030-00
BNC female to dual banana adapter	1		Tektronix part no. 103-0090-00

Output Offset and Gain Adjustment

Preparation To perform the output offset and gain adjustment, you must first remove the top cover of the TG700 mainframe. For removal and installation procedures for the top cover, refer to the *TG700 TV Signal Generator Platform Service Manual*.

After you have removed the top cover, find the variable resistors on the ATG7 circuit board. See Figure 5–1.

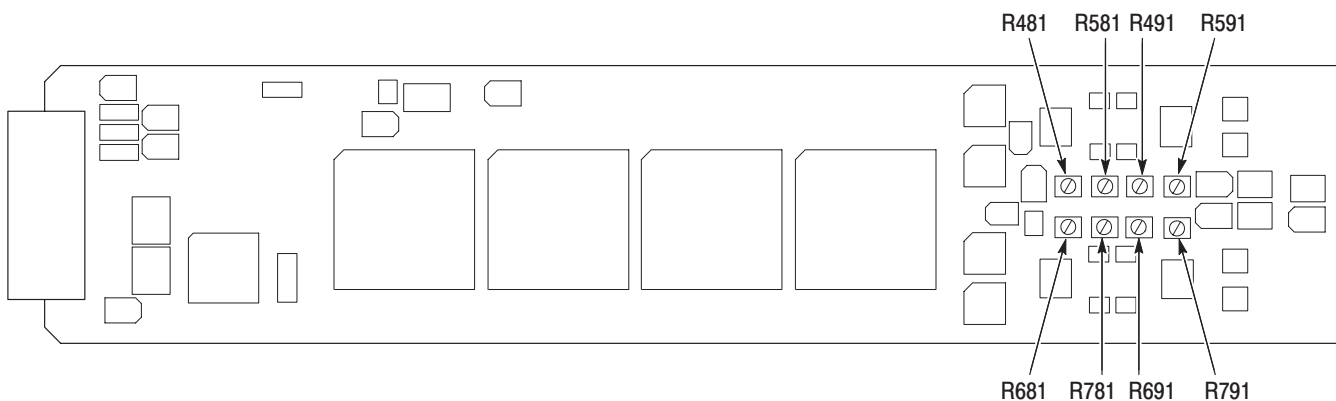


Figure 5-1: ATG7 circuit board view

Procedure



WARNING. To avoid serious injury, do not touch exposed connectors or components when operating the TG700 mainframe with the top cover removed. Dangerous potentials exist at several points within the TG700 mainframe.

1. Use the 75 Ω BNC cable, BNC T connector, 75 Ω coax terminator, and BNC female-to-dual banana adapter to connect the BLACK 1 connector on the ATG7 Generator module to the INPUT connector on the digital multi meter as shown in Figure 5–2.

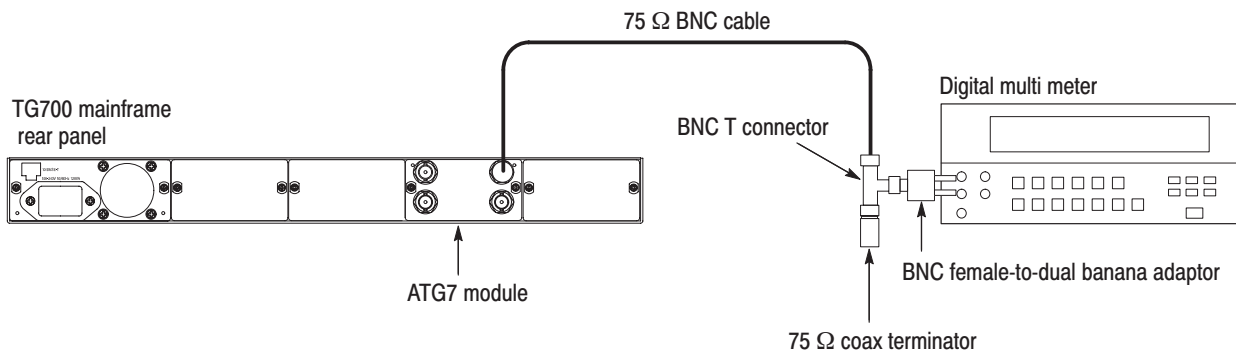


Figure 5-2: Equipment connection for adjusting the output offset and gain

2. Press the **MODULE**, **FORMAT**, and **FRONT PANEL ENABLE** buttons simultaneously, and then release the **MODULE** and **FORMAT** buttons to re-start the instrument in Factory mode.
3. Select the DAC Offset (0V DC) calibration signal for **BLACK 1**, **BLACK 2**, **SIGNAL**, and **BARS** as follows:
 - a. Press the **MODULE** button to display the **ATG7** main menu.
 - b. Press the up (▲) or down (▼) arrow button to select **CALIBRATION**.
 - c. Press the left (◀) or right (▶) arrow button to select **BLACK 1**, and then press the **ENTER** button.
 - d. Press the left (◀) or right (▶) arrow button to select **CAL : DAC Offset (0V DC)**, and then press the **ENTER** button.
 - e. Press the **CANCEL** button.
 - f. Repeat steps c through e to select the calibration signal for **BLACK 2**, **SIGNAL**, and **BARS**.
4. Locate variable resistor R491 on the ATG7 circuit board. See Figure 5-1.
5. Adjust R491 so that the output offset is $0\text{ V} \pm 1\text{ mV}$.
6. Move the BNC cable from the **BLACK 1** connector to the **BLACK 2** connector on the ATG7 Generator module.
7. Locate variable resistor R591 on the ATG7 circuit board. See Figure 5-1.
8. Adjust R591 so that the output offset is $0\text{ V} \pm 1\text{ mV}$.
9. Move the BNC cable from the **BLACK 2** connector to the **SIGNAL** connector on the ATG7 Generator module.
10. Locate variable resistor R691 on the ATG7 circuit board. See Figure 5-1.

11. Adjust R691 so that the output offset is $0\text{ V} \pm 1\text{ mV}$.
12. Move the BNC cable from the SIGNAL connector to the BARS connector on the ATG7 Generator module.
13. Locate variable resistor R791 on the ATG7 circuit board. See Figure 5–1.
14. Adjust R791 so that the output offset is $0\text{ V} \pm 1\text{ mV}$.
15. Select the DAC Gain (1.000V DC) calibration signal for BLACK 1, BLACK 2, SIGNAL, and BARS as follows:
 - a. Press the left (◀) or right (▶) arrow button to select **BLACK 1**, and then press the **ENTER** button.
 - b. Press the left (◀) or right (▶) arrow button to select **CAL : DAC Gain (1.000V DC)**, and then press the **ENTER** button.
 - c. Press the **CANCEL** button.
 - d. Repeat steps a through c to select the calibration signal for **BLACK 2**, **SIGNAL**, and **BARS**.
16. Locate variable resistor R481 on the ATG7 circuit board. See Figure 5–1.
17. Adjust R481 so that the output gain is $0.7\text{ V} \pm 1\text{ mV}$.
18. Move the BNC cable from the BLACK 1 connector to the BLACK 2 connector on the ATG7 Generator module.
19. Locate variable resistor R581 on the ATG7 circuit board. See Figure 5–1.
20. Adjust R581 so that the output gain is $0.7\text{ V} \pm 1\text{ mV}$.
21. Move the BNC cable from the BLACK 2 connector to the SIGNAL connector on the ATG7 Generator module.
22. Locate variable resistor R681 on the ATG7 circuit board. See Figure 5–1.
23. Adjust R681 so that the output gain is $0.7\text{ V} \pm 1\text{ mV}$.
24. Move the BNC cable from the SIGNAL connector to the BARS connector on the ATG7 Generator module.
25. Locate variable resistor R781 on the ATG7 circuit board. See Figure 5–1.
26. Adjust R781 so that the output gain is $0.7\text{ V} \pm 1\text{ mV}$.



Maintenance

Maintenance

This section contains instructions and procedures for maintaining the ATG7 Generator module. For information on servicing the mainframe, refer to the *TG700 TV Signal Generator Platform Service Manual*.

The following information can be found in this section:

- Preparation page 6–1
- Inspection and Cleaning (preventive maintenance) page 6–3
- Repackaging Instructions page 6–3
- Removal and Replacement page 6–5
- Troubleshooting page 6–7

If the instrument does not function properly, troubleshooting and corrective measures should be taken immediately to prevent additional problems.

NOTE. Contact your local Tektronix representative for information on where to return your instrument if it requires repair during the warranty period.

Preparation

Please read and follow these preparation instructions before attempting to perform any maintenance or service to the instrument.

Servicing Prerequisites

Make sure of the following before beginning any instrument service:

- The maintenance or service of this instrument must be performed by qualified service personnel only.
- Read the *Service Safety Summary* located at the beginning of this manual before attempting to perform any maintenance or service to the instrument.
- Read the *Operating Information* section of this manual before attempting to perform any maintenance or service to the instrument.

Electrostatic Damage Prevention

This instrument contains electrical components that are susceptible to damage from electrostatic discharge. Static voltages of 1 kV to 30 kV are common in unprotected environments.



CAUTION. *Static discharge can damage any semiconductor component in this instrument.*

Observe the following precautions to avoid static damage:

- Minimize handling of static-sensitive components.
- Transport and store static-sensitive components or assemblies in their original containers, on a metal rail, or on conductive foam. Label any package that contains static-sensitive assemblies or components.
- Discharge the static voltage from your body by wearing a wrist strap while handling these components. Servicing static-sensitive assemblies or components should only be performed at a static-free workstation by qualified personnel.
- Nothing capable of generating or holding a static charge should be allowed on the workstation surface.
- Keep the component leads shorted together whenever possible.
- Pick up components by the body, never by the leads.
- Do not slide the components over any surface.
- Avoid handling components in areas that have a floor or work surface covering capable of generating a static charge.
- Use a soldering iron that is connected to earth ground.
- Use only special antistatic, suction-type or wick-type desoldering tools.

NOTE. *A 2% RMA flux content solder is recommended for making repairs in this instrument. Cleaning of rosin residue is not recommended. Most cleaning solvents tend to reactivate the rosin and spread it under components where it may cause corrosion under humid conditions. The rosin residue, if left alone, does not exhibit these corrosive properties.*

Inspection and Cleaning

Preventive maintenance consists of cleaning, visual inspection, performance checking, and, if needed, readjustment. The preventive maintenance schedule established for the instrument should be based on the environment in which it is operated and the amount of use. Under average conditions, scheduled preventive maintenance should be performed every 2000 hours of operation.

General Care

Protect the module from adverse weather conditions. The module is not waterproof.



CAUTION. To avoid damage to this module, do not expose it to sprays, liquids, or solvents. Do not flex the circuit board if you remove the board from its mounting shield. The circuit board can be damaged by flexing. The shield provides necessary structural support to the circuit board.

Inspecting and Cleaning Procedures

Clean the mainframe and modules often enough to prevent dust or dirt from accumulating. Refer to *Inspecting and Cleaning Procedures* in the *TG700 TV Signal Generator Platform Service Manual*.

Performance Verification

Check module performance after each 2000 hours of operation or every 12 months. This will help to ensure maximum performance and assist in locating defects that may not be apparent during regular operation. Performance verification procedures are included in this manual.

Repackaging Instructions

Use the following instructions to prepare your instrument for shipment to a Tektronix, Inc., Service Center:

1. Attach a tag to the instrument showing: the owner, complete address and phone number of someone at your firm who can be contacted, the instrument serial number, and a description of the required service.
2. Package the instrument in the original packaging materials. If the original packaging materials are not available, follow these directions:
 - a. Obtain a carton of corrugated cardboard having inside dimensions six or more inches greater than the dimensions of the instrument. Use a shipping carton that has a test strength of at least 250 pounds (113.5 kg).
 - b. Surround the module with a protective (anti-static) bag.

Removal and Replacement

This section contains the instructions on how you can remove and replace the customer replaceable parts of the ATG7 Generator module.

Tools Required

The following tools are required to perform the removal and replacement procedures:

Table 6-1: Required tools

Name	Description	Tektronix part number
Screwdriver handle	Accepts Phillips-driver bits	
#1 Phillips tip	Phillips-driver bit for #1 size screw heads	
#2 Phillips tip	Phillips-driver bit for #2 size screw heads	
Nut driver, 14 mm	Special nut driver for removing the BNC connectors of the ATG7 module	030-A041-00

Replacing the Rear Panel Connectors and Chassis

It is usually not necessary to replace the rear panel connectors and chassis. However, if a connector or chassis becomes damaged, you can replace them.

Replacing the Rear Panel Connectors

To replace the rear panel connector:

1. Use the *Module Installation* section in the *TG700 TV Signal Generator Platform Service Manual* to remove the ATG7 Generator module from the mainframe.
2. Disconnect the cables at J830 (BLACK 1), J880 (BLACK 2), J930 (SIGNAL) and J980 (BARS) on the ATG7 circuit board.
3. Use the 14 mm nut driver to remove the nut securing the damaged connector to the chassis. Pull the connector away.
4. Perform steps 2 and 3 in reverse order to replace the connector.

Replacing the chassis

Perform the following procedure to replace the chassis:

1. Use the 14 mm nut driver to remove the nuts from each of the rear panel connectors.
2. Use a screwdriver with a #2 Phillips tip to remove the five screws securing the ATG7 circuit board to the chassis.
3. Lift the circuit board up and away from chassis, and then place it on a static free surface.
4. Set the replacement chassis on a firm, flat, static-free work surface.
5. Carefully place the circuit board in place on the chassis.
6. Use a screwdriver with a #2 Phillips tip to install the five screws securing the circuit board to the chassis.
7. Apply the rear panel to the chassis, and then install all the rear panel connectors to the chassis.

Troubleshooting

This section contains instructions and procedures for troubleshooting the ATG7 Generator module. These procedures will help you decide whether it is necessary to replace your module.

If the TG700 mainframe does not boot up or if the display is not working, refer to *Troubleshooting* in the *TG700 TV Signal Generator Platform Service Manual*.

Equipment Required

The equipment listed in Table 6–2 is required for troubleshooting.

Table 6–2: Equipment required for troubleshooting

Equipment description	Minimum requirements/example
Screwdriver handle	Accept Phillips-driver bits
#1 Phillips tip	Phillips-driver bit for #1 size screw heads
TG700 mainframe	A TG700 mainframe that is functioning correctly.

Backing up the instrument settings

Before you begin troubleshooting, create a preset to save your instrument settings as follows:

1. Press the **MODULE** button until the mainframe main menu (TG700: PRESET) appears.
2. Press the **ENTER** button to access the PRESET submenu.
3. Press the up (▲) or down (▼) arrow button to select **SAVE**.
4. Press the left (◀) or right (▶) arrow button to select a preset number to save instrument settings.
5. Press the **ENTER** button to save the current instrument settings to the new preset.

After the problem is solved, recall the preset you created.

Troubleshooting Trees

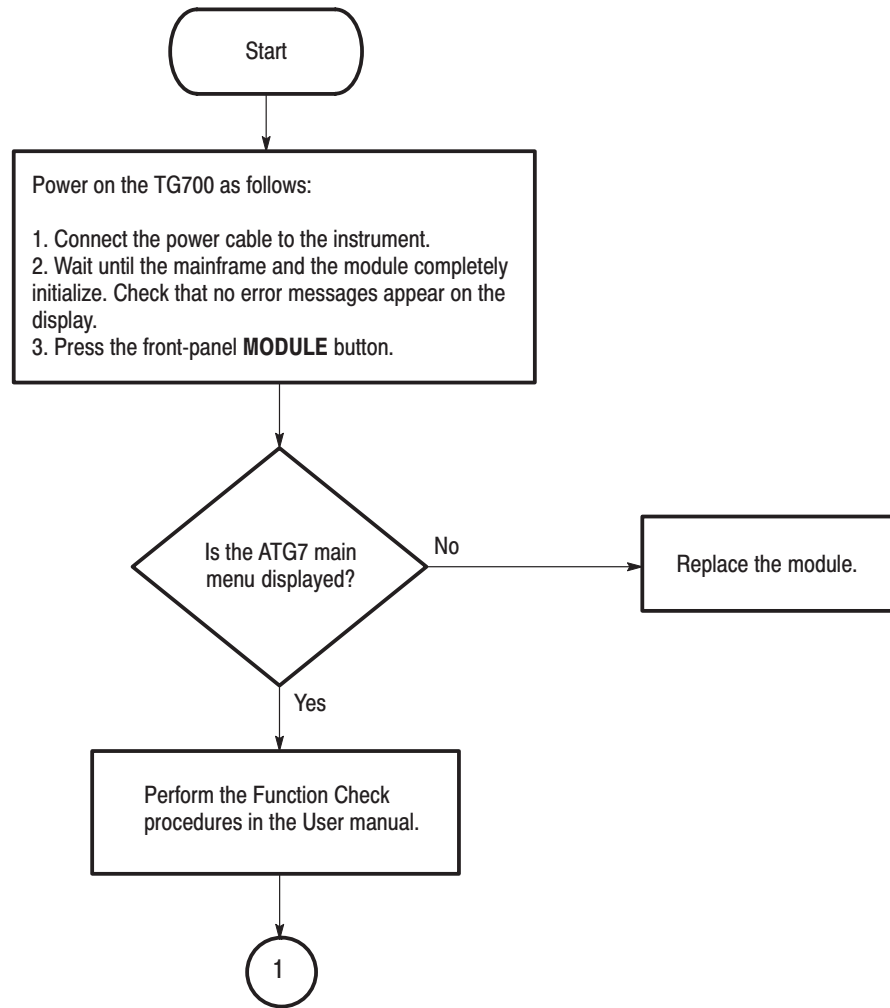


Figure 6-1: Troubleshooting procedure (1)

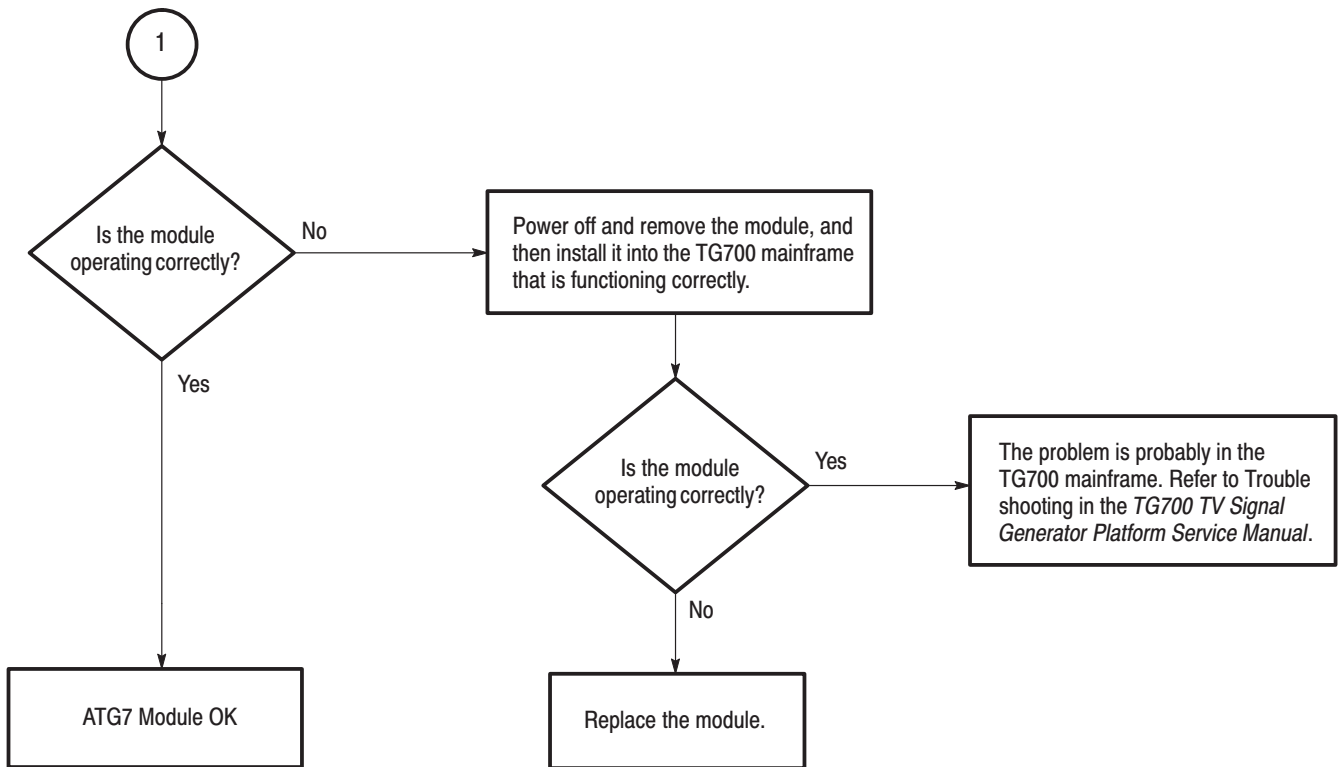


Figure 6-2: Troubleshooting procedure (2)



Option



Option

This section describes option that is available for the ATG7 Generator module.

The following option is available.

- Option D1 (Test data report)

Option D1 Description

A calibration data test result report comes with the ATG7 Generator module when you specify this option.



Replaceable Electrical Parts



Replaceable Electrical Parts

The module-level replaceable electrical parts are included in the *Replaceable Mechanical Parts* list. Since component-level repair is not supported, individual electrical components are not listed.



Diagram

Diagram

Figure 9-1 shows the ATG7 Generator module and how it interconnects with the TG700 TV Signal Generator Platform.

Diagrams showing mainframe component interconnections, such as power supply and oscillator, can be found in the *TG700 TV Signal Generator Platform Service Manual*.

A block diagram of the ATG7 Generator module is located in the *Theory of Operation* section, beginning on page 3-1.

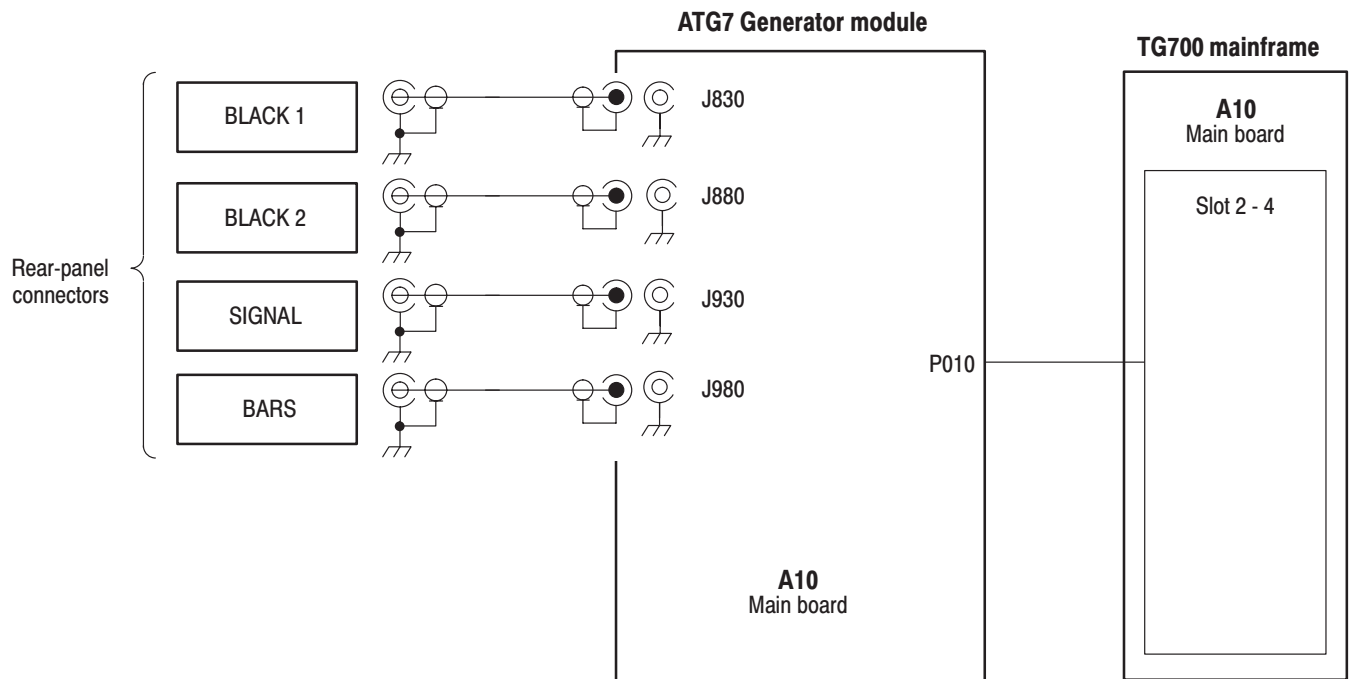


Figure 9-1: ATG7 Generator module connections



Mechanical Parts List

Mechanical Parts List

This section contains a list of the replaceable modules for the ATG7 Generator module. Use this list to identify and order replacement parts.

Parts Ordering Information

Replacement parts are available through your local Tektronix field office or representative.

Changes to Tektronix products are sometimes made to accommodate improved components as they become available and to give you the benefit of the latest improvements. Therefore, when ordering parts, it is important to include the following information in your order.

- Part number
- Instrument type or model number
- Instrument serial number
- Instrument modification number, if applicable

If you order a part that has been replaced with a different or improved part, your local Tektronix field office or representative will contact you concerning any change in part number.

Module Servicing

Modules can be serviced by selecting one of the following three options. Contact your local Tektronix service center or representative for repair assistance.

Module Exchange. In some cases you may exchange your module for a remanufactured module. These modules cost significantly less than new modules and meet the same factory specifications. For more information about the module exchange program, call 1-800-833-9200. Outside North America, contact a Tektronix sales office or distributor; see the Tektronix web site for a list of offices: www.tektronix.com

Module Repair and Return. You may ship your module to us for repair, after which we will return it to you.

New Modules. You may purchase replacement modules in the same way as other replacement parts.

Using the Replaceable Parts List

This section contains a list of the mechanical and/or electrical components that are replaceable for the ATG7 Generator module. Use this list to identify and order replacement parts. The following table describes each column in the parts list.

Parts list column descriptions

Column	Column name	Description
1	Figure & Index Number	Items in this section are referenced by figure and index numbers to the exploded view illustrations that follow.
2	Tektronix Part Number	Use this part number when ordering replacement parts from Tektronix.
3 and 4	Serial Number	Column three indicates the serial number at which the part was first effective. Column four indicates the serial number at which the part was discontinued. No entries indicates the part is good for all serial numbers.
5	Qty	This indicates the quantity of parts used.
6	Name & Description	An item name is separated from the description by a colon (:). Because of space limitations, an item name may sometimes appear as incomplete. Use the U.S. Federal Catalog handbook H6-1 for further item name identification.
7	Mfr. Code	This indicates the code of the actual manufacturer of the part.
8	Mfr. Part Number	This indicates the actual manufacturer's or vendor's part number.

Abbreviations

Abbreviations conform to American National Standard ANSI Y1.1-1972.

Mfr. Code to Manufacturer Cross Index

The table titled Manufacturers Cross Index shows codes, names, and addresses of manufacturers or vendors of components listed in the parts list.

Manufacturers cross index

Mfr. code	Manufacturer	Address	City, state, zip code
S3109	FELLER	72 VERONICA AVE UNIT 4	SUMMERSET NJ 08873
TK0191	SONY/TEKTRONIX	PO BOX 5209 TOKYO INTERNATIONAL	TOKYO JAPAN 100-31
TK2432	UNION ELECTRIC	15/F #1, FU-SHING N. ROAD	TAIPEI, TAIWAN ROC
2W733	BELDEN CORPORATION	2200 US HIGHWAY 27 SOUTH PO BOX 1980	RICHMOND IN 47375-0010
80009	TEKTRONIX INC	14150 SW KARL BRAUN DR PO BOX 500	BEAVERTON, OR 97077-0001

Replaceable parts list

Fig. & index number	Tektronix part number	Serial no. effective	Serial no. discont'd	Qty	Name & description	Mfr. code	Mfr. part number
10-1	116-A014-00			1	EXCHANGE MODULE:ATG7	80009	
10-1-1	441-A269-00			1	CHASSIS,MODULE AGL7:ASSY	80009	
-2	333-A427-00			1	PANEL,REAR:ATG7,AL	80009	
-3	214-4946-00			2	SPRING,CONICAL:VXI MOUNTING SCREW,0.26 MM SUS304,5.4 MML	80009	
-4	213-1129-00			2	SCREW,MACHINE:M2.5X11MM L,PAN HD,STL,N1 PL,CROSS REC & SLOTTED [322401-05]	80009	
-5	348-A128-00			2.5 CM	SHLD GASKET,ELEK:FINGER TYPE,5.1MM LX6.4MM W,BE-CU [97-645-02]	80009	
-6	174-B851-00			4	CABLE ASSY,RF:75OHM COAX(RG179),5.5CM L,BNC TO MCX	80009	
-7	211-A245-00			5	SCREW,MACHINE:M3X6MM L,PNH,STL,NI PL,CROSS REC,W/KOGATAMARU&LOCK WASHER	80009	
-8	334-1378-03			1	MARKER,IDENT:MKD SERIAL NO. FOR SONY/TEK	80009	
					OPTIONAL ACCESSORIES		
	070-A800-XX			1	MANUAL,TECH:SERVICE,TG700	TK0191	
	003-A041-00			1	NUTDRIVER,BOX:14MM HEX,BNC RETAINING NUT,MODIFIED 19MM	TK0191	

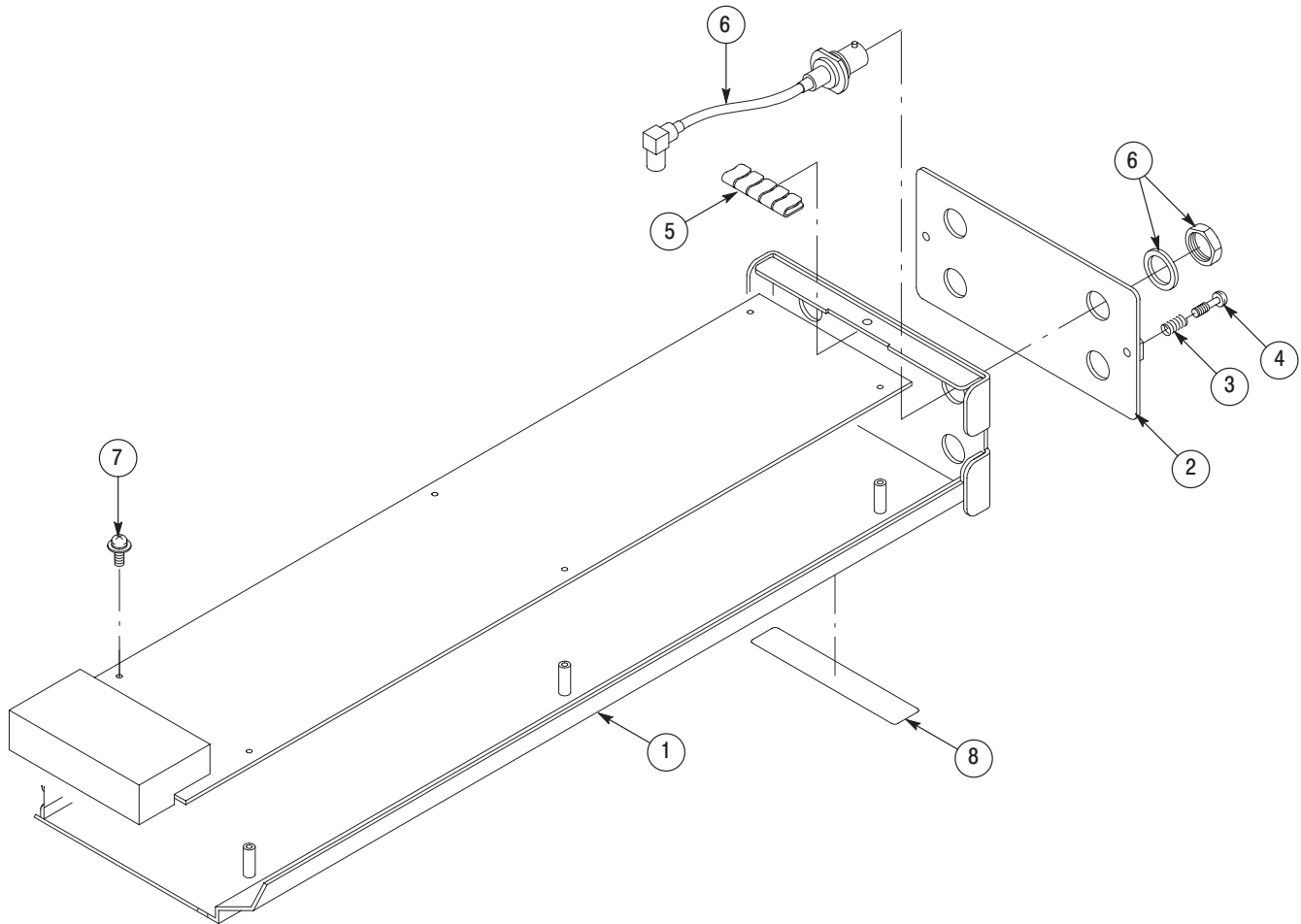


Figure 10-1: ATG7 Generator module exploded view

Service Manual



BG7 Black Generator

Copyright © Tektronix, Inc. All rights reserved.

Copyright © Sony/Tektronix Corporation. All rights reserved.

Printed in Japan.

Sony/Tektronix Corporation, 5-9-31 Kitashinagawa, Shinagawa-ku, Tokyo 141-0001 Japan

Tektronix, Inc., P.O. Box 500, Beaverton, OR 97077

TEKTRONIX and TEK are registered trademarks of Tektronix, Inc.

Table of Contents

Preface	v
Manual Structure	v
Related Manuals	vi
Contacting Tektronix	vi

Specifications

Specifications	1-1
Product Description	1-1
Electrical Characteristics	1-2
Environmental Characteristics	1-3

Operating Information

Operating Instructions	2-1
Operation Procedure	2-1
BG7 Module Main Menu	2-2

Theory of Operation

Theory of Operation	3-1
----------------------------------	------------

Performance Verification

Performance Verification	4-1
Preparation for Performance Verification	4-1
Equipment Required	4-1
Calibration Data Report	4-2
Performance Verification Procedures	4-4

Adjustment Procedures

Adjustments	5-1
--------------------------	------------

Maintenance

Maintenance	6-1
Preparation	6-1
Inspection and Cleaning	6-3
Repackaging Instructions	6-3
Removal and Replacement	6-5
Tools Required	6-5
Replacing the Rear Panel Connectors and Chassis	6-5
Troubleshooting	6-7
Equipment Required	6-7
Backing up the instrument settings	6-7
Troubleshooting Trees	6-8

Options

Options	7-1
Option CB Description	7-1
Option D1 Description	7-1

Replaceable Electrical Parts

Replaceable Electrical Parts	8-1
---	------------

Diagram

Diagram	9-1
----------------------	------------

Mechanical Parts List

Mechanical Parts List	10-1
Parts Ordering Information	10-1
Using the Replaceable Parts List	10-2

List of Figures

Figure 2–6: BG7 module main menu	2–2
Figure 2–7: SELECT FORMAT submenu	2–2
Figure 2–8: SELECT SIGNAL submenu	2–3
Figure 2–9: TIMING submenu	2–3
Figure 3–1: Simplified block diagram of the BG7 Generator module	3–1
Figure 4–1: Equipment connection for verifying the trilevel sync outputs	4–4
Figure 4–2: Equipment connection for verifying burst and sync amplitude	4–8
Figure 5–1: BG7 circuit board view	5–2
Figure 5–2: Equipment connection for adjusting the output offset and gain	5–3
Figure 5–3: Equipment connection for adjusting luminance gain ...	5–5
Figure 6–1: Troubleshooting procedure (1)	6–8
Figure 6–2: Troubleshooting procedure (2)	6–9
Figure 9–1: BG7 Generator module connections	9–1
Figure 10–1: BG7 Generator module exploded view	10–4

List of Tables

Table 1–1: Black burst and HDTV trilevel sync outputs	1–2
Table 1–2: Color bars and black burst with field ID outputs (option CB)	1–3
Table 1–3: Environmental characteristics	1–3
Table 4–1: Equipment required for Performance Verification	4–1
Table 4–2: BG7 Calibration Data Report	4–2
Table 5–1: Equipment required	5–1
Table 6–1: Required tools	6–5
Table 6–2: Equipment required for troubleshooting	6–7

Preface

This is the service manual for the BG7 Generator module. This manual contains information needed to service an BG7 Generator module to the module level.

Manual Structure

This manual is divided into sections, such as the *Specifications* and *Theory of Operation*. Further, some sections are divided into subsections, such as *Product Description* and *Removal and Installation Procedures*.

Sections containing procedures also contain introductions to those procedures. Be sure to read these introductions because they provide information needed to do the service correctly and efficiently. The following are a brief descriptions of each manual section.

- *Specifications* contains a description of the BG7 Generator module and the characteristics that apply to it..
- *Operating Information* provides basic operating information.
- *Theory of Operation* is an overview of the module's design.
- *Performance Verification* contains procedures to perform the operation tests.
- *Adjustments* contains a statement explaining that no adjustment is needed for the BG7 Generator module.
- *Maintenance* contains installation, removal and replacement, and troubleshooting instructions.
- *Options* contains a description of available options for the BG7 Generator module.
- *Replaceable Electrical Parts* for the module level are included in the Replaceable Mechanical Parts list.
- *Diagram* contains an interconnect diagram showing the connections between the BG7 Generator module and the mainframe.
- *Replaceable Mechanical Parts* lists the part numbers for replacement parts that you can order. Exploded view illustrations help you to identify the parts.

Related Manual

The following document is related to the BG7 Generator module.

- The *TG700 TV Signal Generator Platform User Manual* (Tektronix part number 070-A799-XX) describes how to use the TG700 mainframe and all modules. It also contains information about remote commands and programming structure for the TG700 mainframe and all modules.

Contacting Tektronix

Phone	1-800-833-9200*
Address	Tektronix, Inc. Department or name (if known) 14200 SW Karl Braun Drive P.O. Box 500 Beaverton, OR 97077 USA
Web site	www.tektronix.com
Sales support	1-800-833-9200, select option 1*
Service support	1-800-833-9200, select option 2*
Technical support	Email: techsupport@tektronix.com 1-800-833-9200, select option 3* 1-503-627-2400 6:00 a.m. – 5:00 p.m. Pacific time

* **This phone number is toll free in North America. After office hours, please leave a voice mail message. Outside North America, contact a Tektronix sales office or distributor; see the Tektronix web site for a list of offices.**



Specifications

Specifications

This section contains a general product description of the BG7 Generator module followed by the operating specifications of the module.

Product Description

The BG7 Generator module is designed to be installed in the TG700 TV Signal Generator Platform.

The module is a multi format black generator with the following features:

- Four NTSC (with or without setup) /PAL black burst and HDTV trilevel sync outputs
- Individual format and timing control for each output
- Black burst with field ID and NTSC/PAL color bars signals output (Option CB)
- Full remote control using Ethernet interface

Electrical Characteristics

Tables 1–1 and 1–2 list the electrical characteristics of the BG7 Generator module.

Table 1–1: Black burst and HDTV trilevel sync outputs

Characteristic	Performance requirements	Reference information
Connector	BNC	
Number of outputs	4	BLACK1, BLACK2, BLACK3, and BLACK4
Output impedance, typical	75 Ω	
Return loss	≥ 30 dB	To 30 MHz
Burst amplitude accuracy	± 2 %	NTSC and PAL
Sync amplitude accuracy		
NTSC/PAL	± 2 %	
TriLevel	± 2 %	
Blanking level	0 ± 50 mV	
SCH phase accuracy	$0^\circ \pm 5^\circ$	
Timing offset		
Range	Full color frame	
Resolution		
NTSC/PAL	1/54 μ s	≈ 18.5 ns
TriLevel	1/74.25 μ s or 1/(74.25/1.001) μ s	≈ 13.9 ns

Table 1–2: Color bars and black burst with field ID outputs (option CB)

Characteristic	Performance requirements	Reference information
Color bars signals		
NTSC		100 % Color Bars, 75 % Color Bars, SMPTE Color Bars, 40 % Flat Field, SNG Color Bar, Monitor Setup Matrix
NTSC No Setup		100 % Color Bars, 75 % Color Bars, SMPTE Color Bars, 40 % Flat Field, SNG Color Bar, Monitor Setup Matrix
PAL		100 % Colour Bars, 75 % Colour Bars, 100 % Colour Bars Over Red, 75 % Colour Bars Over Red, 40 % Flat Field, SNG Color Bars, 4 Level Pluge, Monitor Setup Matrix
Black burst with field ID		Complies with SMPTE 318M
Luminance amplitude accuracy	± 1 %	Measured at 700 mV.
Chrominance to luminance gain	± 2 %	Chrominance is measured at red portion of the 75 % Colour Bar Over Red signal.

Environmental Characteristics

Table 1–3 lists the environmental characteristics of the BG7 Generator module.

Table 1–3: Environmental characteristics

Characteristic	Description
Temperature	
Operating	0° C to +50° C
Nonoperating	-20° C to +60° C
Relative Humidity	
Operating	20% to 80% (No condensation) ; Maximum wet-bulb temperature 29.4° C
Nonoperating	5% to 90% (No condensation) ; Maximum wet-bulb temperature 40.0° C
Altitude	
Operating	To 4.5 km (15,000 feet) Maximum operating temperature decreases 1° C each 300 m above 1.5 km.
Nonoperating	To 15 km (50,000 feet)
Vibration	
Operating	3.04 m/s ² (0.31 G _{rms}), 5 to 500 Hz, 10 min, three axes
Nonoperating	23.3 m/s ² (2.38 G _{rms}), 5 Hz to 500 Hz, 10 min, three axes
Shock	
Nonoperating	294 m/s ² (30 G), half-sine, 11 ms duration



Operating Information

Operating Instructions

Before servicing the BG7 Generator module, read the following operating instructions. These instructions are at the level appropriate for servicing the BG7 Generator module. The user manual contains complete operator instructions.

This section provides the following information:

- Operating Procedure
- BG7 Module Main Menu

Operation Procedure

After the module is installed in the mainframe, and the mainframe is installed in the rack or other location where it will be used, access each function of the module with the following procedure:

1. Connect the power connector on the rear panel and AC electric power source using the power cord. Electric power is supplied to the mainframe.
2. Wait until the main frame and installed modules have completed their initialization process. Check that there are no error messages on the display.
3. The first menu item of the mainframe main menu, shown below, appears on the display after initialization is complete.



TG700 : PRESET

4. Press the front-panel **MODULE** button until the BG7 module main menu shown below appears.



BG7 [x] : SELECT OUTPUT
BLACK 1

5. Select the main menu item or submenu item by pressing the front-panel arrow buttons.

Refer to the explanation beginning on the next page for the details of the main menu and the submenu items.

BG7 Module Main Menu

In the BG7 module main menu, there is one menu item to select the output whose parameters are to be changed. Figure 2–1 shows the BG7 module main menu.

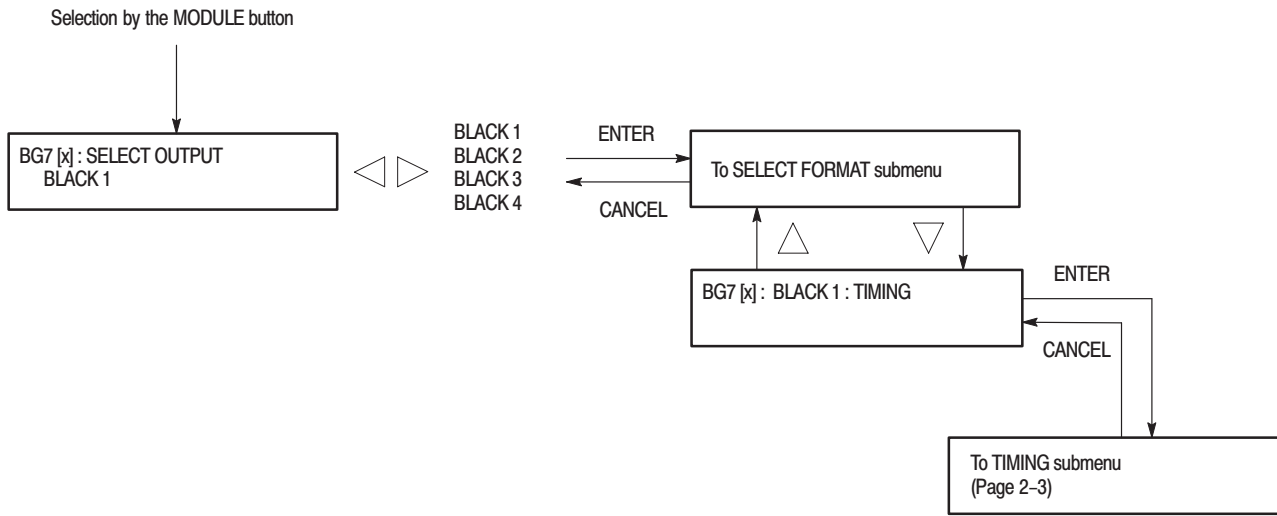


Figure 2-1: BG7 module main menu

SELECT FORMAT Submenu

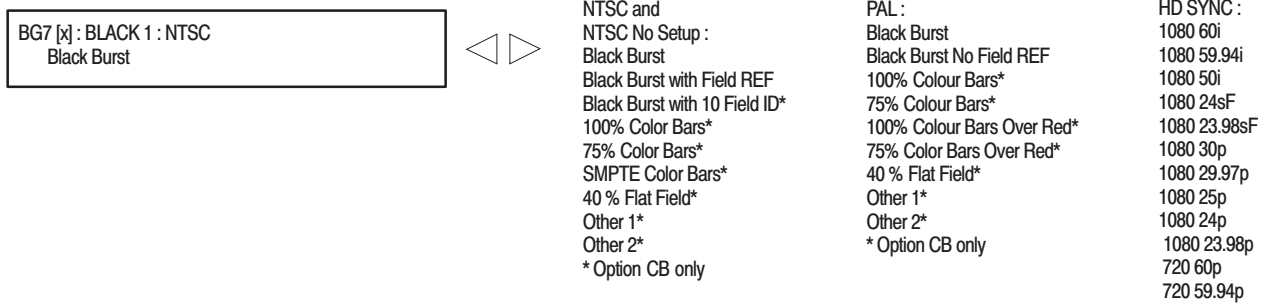
This menu allow you to set the video format for the selected output. Figure 2–2 shows the SELECT FORMAT Submenu.



Figure 2-2: SELECT FORMAT submenu

SELECT SIGNAL Submenu

This menu allows you to select black signal output from the selected BLACK output. Figure 2–3 shows the SELECT SIGNAL submenu.



*These signals are only provided with Option CB, and are only available through the BLACK 3 and BLACK 4 connectors.

Figure 2–3: SELECT SIGNAL submenu

TIMING Submenu

This menu allows you to adjust the timing offset of the selected black signal outputs relative to the genlock signal or the internal reference signal. Use the up (▲) or down (▼) arrow button to select between Vertical and Horizontal. Figure 2–4 shows the TIMING submenu.

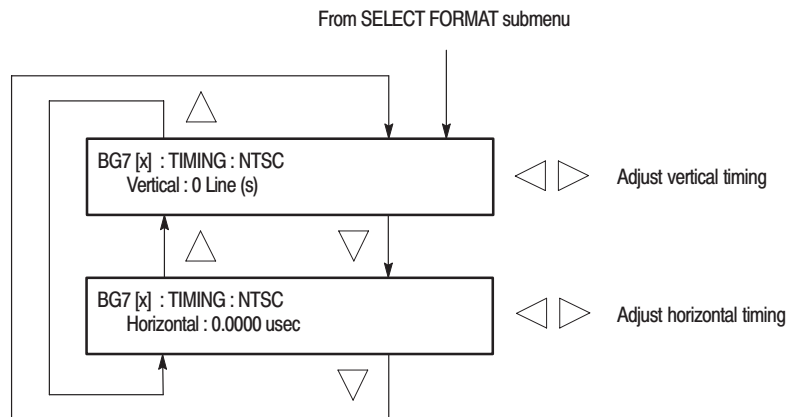


Figure 2–4: TIMING submenu



Theory of Operation

Theory of Operation

This section describes the basic operation of the major circuit blocks in the BG7 Generator module.

For information about the TG700 mainframe, refer to the *TG 700 TV Signal Generator Platform Service Manual*.

Bus Interface This block provides the communication between the mainframe and the module circuit.

Sync Generator The block creates the digital data of NTSC/PAL black burst signal or HDTV trilevel sync signal. When optional memories are added the sync generator 3 and 4 can also generate 10 field ID and NTSC/PAL color bar signals.

D/A Converter & Amp The block consists of a D/A converter, two amplifiers, and two filters (one is for NTSC/PAL and another is for HD). The D/A converter converts the digital data from the Sync Generator to an analog signal and reconstructs the signal for output.

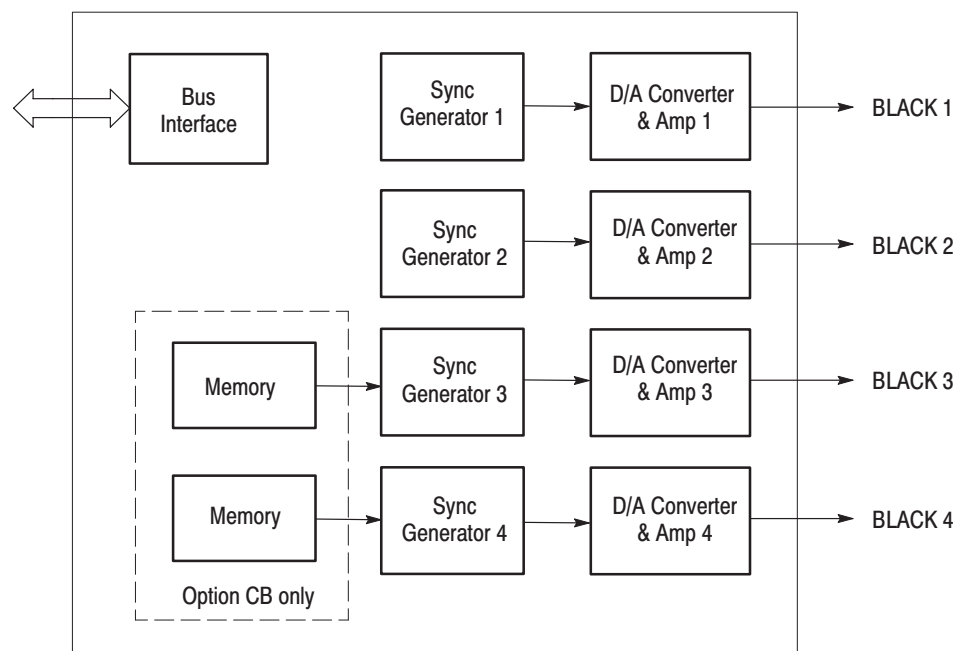


Figure 3-1: Simplified block diagram of the BG7 Generator module



Performance Verification

Performance Verification

This section provides procedures that verify the performance and functionality of the BG7 Generator module.

Preparation for Performance Verification

Do the following before starting the performance verification procedures:

Power On Default Settings

Before you perform the performance verification procedures, make sure that the required instrument settings are saved in the Power On Default preset.

If the instrument settings are saved in the Power On Default preset, you can recall the settings after the performance verification procedures is completed by turning the power off and back on.

Warm up

The BG7 Generator module and test equipment must have had a warm-up period of at least 20 minutes.

Equipment Required

Table 4–1 lists the equipment required for the procedures.

Table 4–1: Equipment required for performance verification

Item	No.	Minimum requirement	Recommended equipment
Oscilloscope	1	Bandwidth: 200 MHz or higher	Tektronix TDS540D
Video measurement set	1		Tektronix VM700T Option 01/11
75 Ω BNC cable	1	Length: 42 inches	Tektronix part no. 012-0074-00
75 Ω feed-through terminator	1		Tektronix part no. 011-0103-02
75 Ω coax terminator	1		Tektronix part no. 011-0102-01

Calibration Data Report

Photocopy this form and use it to record the performance test results.

Table 4-2: BG7 calibration data report

Serial Number:		Cal Date:		Temperature:		Humidity:	
Step	Function Tested	Minimum	Cal Data	Maximum			
Black Output (NTSC)							
1.	Blanking Level						
		BLACK 1	-50 mV	mV	+50 mV		
		BLACK 2	-50 mV	mV	+50 mV		
		BLACK 3	-50 mV	mV	+50 mV		
		BLACK 4	-50 mV	mV	+50 mV		
2.	Burst Amplitude						
		BLACK 1 (Peak to Peak Value)	280.0 mV	mV	291.4 mV		
		BLACK 2 (Peak to Peak Value)	280.0 mV	mV	291.4 mV		
		BLACK 3 (Peak to Peak Value)	280.0 mV	mV	291.4 mV		
		BLACK 4 (Peak to Peak Value)	280.0 mV	mV	291.4 mV		
3.	Sync Amplitude						
		BLACK 1	280.0 mV	mV	291.4 mV		
		BLACK 2	280.0 mV	mV	291.4 mV		
		BLACK 3	280.0 mV	mV	291.4 mV		
		BLACK 4	280.0 mV	mV	291.4 mV		
Tri-Level Sync Output							
4.	Blanking Level						
		BLACK 1	-50 mV	mV	+50 mV		
		BLACK 2	-50 mV	mV	+50 mV		
		BLACK 3	-50 mV	mV	+50 mV		
		BLACK 4	-50 mV	mV	+50 mV		
5.	Sync Amplitude plus						
		BLACK 1	294.0 mV	mV	306.0 mV		
		BLACK 2	294.0 mV	mV	306.0 mV		
		BLACK 3	294.0 mV	mV	306.0 mV		
		BLACK 4	294.0 mV	mV	306.0 mV		

Table 4-2: BG7 calibration data report (Cont.)

Step	Function Tested	Minimum	Cal Data	Maximum
6.	Sync Amplitude minus			
	BLACK 1	294.0 mV	mV	306.0 mV
	BLACK 2	294.0 mV	mV	306.0 mV
	BLACK 3	294.0 mV	mV	306.0 mV
	BLACK 4	294.0 mV	mV	306.0 mV
Option CB				
7.	Luminance Gain (Measured on PAL 75% Colour Bars Over Red signal)			
	BLACK 3	693.0 mV	mV	707.0 mV
	BLACK 4	693.0 mV	mV	707.0 mV
8.	Chrominance Gain (Measured on PAL 75% Colour Bars Over Red signal)			
	BLACK 3	650.6 mV	mV	677.0 mV
	BLACK 4	650.6 mV	mV	677.0 mV

Performance Verification Procedures

Be sure you have performed the *Preparation for Performance Verification* before proceeding.



WARNING. Dangerous electric shock hazards exist inside the TG700 mainframe. Only qualified service personnel should perform these procedures.

Trilevel Sync Outputs

This test verifies that the blanking level and sync amplitude of trilevel sync signals. The following equipment is required for the test:

- Oscilloscope
- 75 Ω BNC cable
- 75 Ω feed-through terminator

Perform the following procedure to verify that the blanking level and sync amplitude of trilevel sync signals.

1. Use the 75 Ω BNC cable and the 75 Ω feed-through terminator to connect the BLACK 1 connector on the BG7 Generator module to the oscilloscope CH1 input as shown in Figure 4–1.

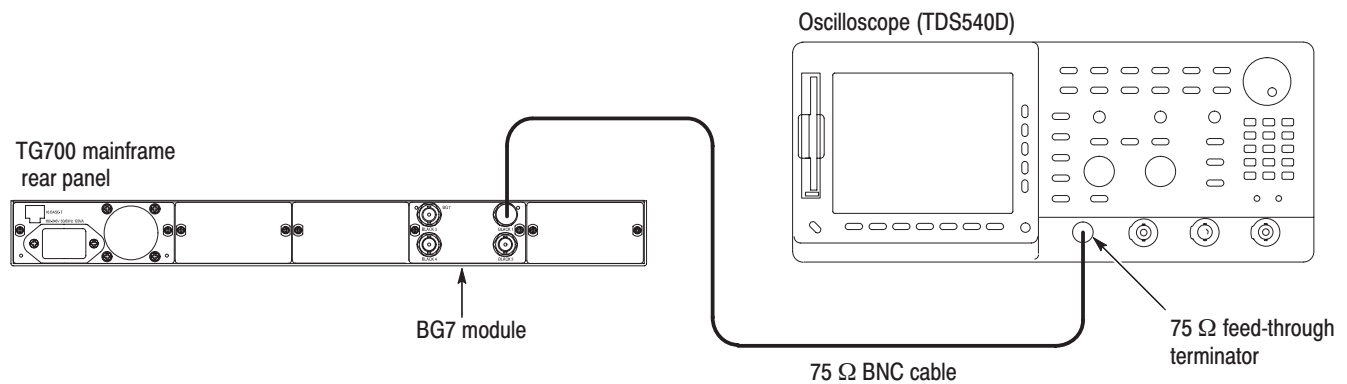


Figure 4–1: Equipment connection for verifying the trilevel sync outputs

2. Recall the Factory Default preset as follows:
 - a. Press the **MODULE** button to display the TG700 main menu.
 - b. Press the up (**▲**) or down (**▼**) arrow button to select **RECALL**.

- c. Press the left (◀) or right (▶) arrow button to select **Factory Default**.
 - d. Press the **ENTER** button to recall the factory default settings.
 3. Select the **1080 59.94i** HD sync signal for BLACK 1 to BLACK 4 as follows:
 - a. Press the **MODULE** button to display the BG7 main menu.
 - b. Press the left (◀) or right (▶) arrow button to select **BLACK 1**, and then press the **ENTER** button.
 - c. Press the left (◀) or right (▶) arrow button to select **HD SYNC**, and then press the **ENTER** button.
 - d. Press the left (◀) or right (▶) arrow button to select **1080 59.94i**, and then press the **ENTER** button.
 - e. Press the **CANCEL** button twice to return the module main menu.
 - f. Repeat step b through e to select the 1080 59.94i HD sync signal for BLACK 2 to BLACK 4.
 4. Set the oscilloscope settings as indicated below:

Vertical 50 mV/div
Vertical offset 0 V
Horizontal 500 ns/div
Horizontal position Center
Trig position 50 %
Trig slope Rising Edge
Acquire menu Average 32
 5. Verify that the blanking level is within the range of +50 mV to –50 mV.
 6. Change the oscilloscope vertical scale to 10 mV/div.
 7. Align the blanking level with the center graticule line on the oscilloscope.
 8. Change the oscilloscope vertical offset to 300 mV.
 9. Verify that the high level of the signal (sync amplitude plus) is within the range of +0.6 div to –0.6 div to the center graticule (except for ringing of the rising edge).
 10. Change the oscilloscope vertical offset to –300 mV.
 11. Verify that the low level of the signal (sync amplitude minus) is within the range of +0.6 div to –0.6 div to the center graticule (except for ringing of the falling edge).

12. Change the BNC cable connection from BLACK 1 connector to the BLACK 2 connector on the BG7 Generator module and repeat steps 5 through 11.
13. Change the BNC cable connection from BLACK 2 connector to the BLACK 3 connector on the BG7 Generator module and repeat steps 5 through 11.
14. Change the BNC cable connection from BLACK 3 connector to the BLACK 4 connector on the BG7 Generator module and repeat steps 5 through 11.

Black Burst Outputs

This test verifies the blanking level, burst amplitude, and sync amplitude of black burst signals. The following equipment is required for the test:

- Oscilloscope
- Video measurement set
- 75 Ω feed-through terminator
- 75 Ω coax terminator

Perform the following procedure to verify that the blanking level, burst amplitude, and sync amplitude of black burst signals.

Use the equipment connection and controls from the previous test.

1. Change the BNC cable connection from BLACK 4 connector to the BLACK 1 connector on the BG7 Generator module
2. Select the **NTSC Black Burst** signal for BLACK 1 to BLACK 4 as follows:
 - a. Press the **MODULE** button to display the module main menu.
 - b. Press the left (◀) or right (▶) arrow button to select **BLACK 1**, and then press the **ENTER** button.
 - c. Press the left (◀) or right (▶) arrow button to select **NTSC**, and then press the **ENTER** button.
 - d. Press the left (◀) or right (▶) arrow button to select **Black Burst**, and then press the **ENTER** button.
 - e. Press the **CANCEL** button twice to return the module main menu.
 - f. Repeat parts b to e of this step to select the NTSC black burst signal for BLACK 2 to BLACK 4.

3. Set the oscilloscope settings as indicated below:

Vertical 50 mV/div
Vertical offset 0 V
Horizontal 1 μ s/div
Horizontal position Center
Trig position 10 %
Acquire menu Average 32
Measure menu Mean
Trig type Video
Trig standard NTSC
Trig source CH1
Trig polarity Negative
Trig filed Odd Field
Trig line 2
Trig mode MONO (2 Field)

4. Verify that the blanking level is within the range of +50 mV to -50 mV.
5. Change the BNC cable connection from BLACK 1 connector to the BLACK 2 connector on the BG7 Generator module and repeat step 4.
6. Change the BNC cable connection from BLACK 2 connector to the BLACK 3 connector on the BG7 Generator module and repeat step 4.
7. Change the BNC cable connection from BLACK 3 connector to the BLACK 4 connector on the BG7 Generator module and repeat step 4.
8. Change the BNC cable connection from BLACK 4 connector to the BLACK 1 connector on the BG7 Generator module.
9. Disconnect the BNC cable from the 75 Ω feed-through terminator on the oscilloscope's input, and then connect the BNC cable to the CHAN A connector on the video measurement set as shown in Figure 4-2.
10. Use the 75 Ω coax terminator to terminate the other loop through to the CHAN A connector on the video measurement set.
11. Press the **Measure** button on the video measurement set to open the Measure mode display.

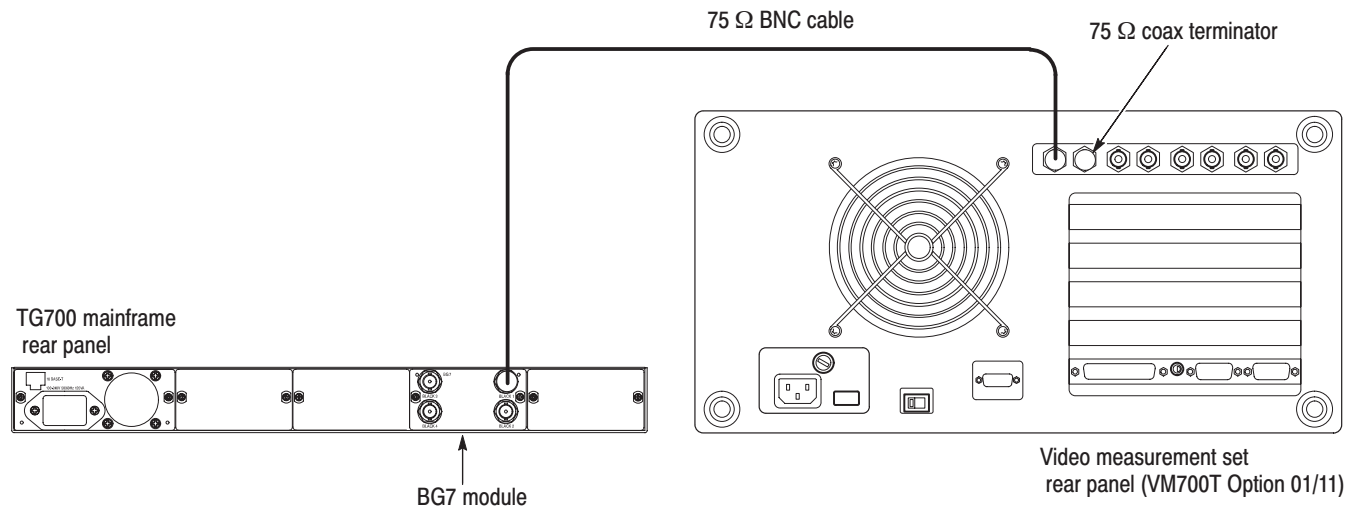


Figure 4-2: Equipment connection for verifying burst and sync amplitude

12. Touch the **Mode** soft key to set the instrument to Analog mode, and then touch the **H_Timing** soft key.
13. Press the **Menu** button to display the H_Timing main menu.
14. Touch the **Average** soft key and rotate the front-panel knob to set the value to 32.
15. Press the **Select Line** button and rotate the front-panel knob set the measurement line to 100 (Field=1 Line=100).
16. Verify that the burst and sync amplitude are within the range of 39.2 IRE to 40.8 IRE.
17. Change the BNC cable connection from BLACK 1 connector to the BLACK 2 connector on the BG7 Generator module and repeat step 16.
18. Change the BNC cable connection from BLACK 2 connector to the BLACK 3 connector on the BG7 Generator module and repeat step 16.
19. Change the BNC cable connection from BLACK 3 connector to the BLACK 4 connector on the BG7 Generator module and repeat step 16.

Luminance and Chrominance Gain (Option CB Only). This test verifies the luminance and chrominance gain of the color bars signal.

20. Change the BNC cable connection from BLACK 4 connector to the BLACK 3 connector on the BG7 Generator module.

21. Select the **75% Colour Bars Over Red** signal for BLACK 3 and BLACK 4 as follows:
 - a. Press the **MODULE** button to display the BG7 main menu.
 - b. Press the left (◀) or right (▶) arrow button to select **BLACK 3**, and then press the **ENTER** button.
 - c. Press the left (◀) or right (▶) arrow button to select **PAL**, and then press the **ENTER** button.
 - d. Press the left (◀) or right (▶) arrow button to select **75% Colour Bars Over Red**, and then press the **ENTER** button.
 - e. Press the **CANCEL** button twice to return the module main menu.
 - f. Repeat parts b through d to select the 75% Colour Bars Over Red signal for BLACK 4.
22. Press the **Measure** button on the video measurement set to open the Measure mode display.
23. Touch the **Video Standard** soft key to change the acceptable video standard for PAL.
24. In the Measure mode display, touch the **Color Bar** soft key to open the Color Bar measurement display.
25. Press the **Menu** button to display the Color Bar main menu.
26. Touch the **Average** soft key and rotate the front-panel knob to set the value to 256.
27. Press the **Select Line** button and rotate the front-panel knob set the measurement line to 100 (Field=1 Line=100).
28. Verify that the luminance gain (level) is within the range of 693.0 mV to 707.0 mV.
29. Verify that the chrominance gain (level) is within the range of 650.6 mV to 677.0 mV. Note that the chrominance gain is measured by Red.
30. Change the BNC cable connection from BLACK 3 connector to the BLACK 4 connector on the BG7 Generator module and repeat steps 28 and 29.

This completes the *Performance Verification* procedure. If you require further assistance, contact your nearest Tektronix Service Center.



Adjustment Procedures

Adjustment Procedures

This section contains information needed to adjust the BG7 Generator module.

Adjustment in the BG7 Generator module are for the output offset, output gain, and luminance gain.

Requirements for Adjustment

Before doing the adjustment, note the following requirements.

Personnel This procedure is only to be performed by trained service technicians.

Warm-Up Period The BG7 Generator module requires a 20 minute warm-up time in a +20° C to +30° C environment before it is adjusted. Adjustments done before the operating temperature has stabilized may cause errors in performance.

Access When adjusting the blanking, luminance, and chrominance levels, you need to remove the top cover of the TG700 mainframe. For removal and installation procedures for the top cover, refer to the *TG700 TV Signal Generator Platform Service Manual*.

Equipment Required

Table 5–1 lists the equipment required to adjust the output offset, output gain, and luminance gain.

Table 5–1: Equipment required

Item	No.	Minimum requirement	Recommended equipment
TV signal generator platform	1		Tektronix TG700
Digital multimeter	1	5 1/2 digits	FLUKE 8842A
Video measurement set	1		Tektronix VM700T Option 01/11
75 Ω BNC cable	1	Length: 42 inches	Tektronix part no. 012-0074-00
75 Ω coax terminator	1		Tektronix part no. 011-0102-03
BNC T connector	1		Tektronix part no. 103-0030-00
BNC female to dual banana adapter	1		Tektronix part no. 103-0090-00

Output Offset and Gain Adjustment

Preparation To perform the output offset and gain adjustment, you must first remove the top cover of the TG700 mainframe. For removal and installation procedures for the top cover, refer to the *TG700 TV Signal Generator Platform Service Manual*.

After you have removed the top cover, find the variable resistors on the BG7 circuit board. See Figure 5–1.

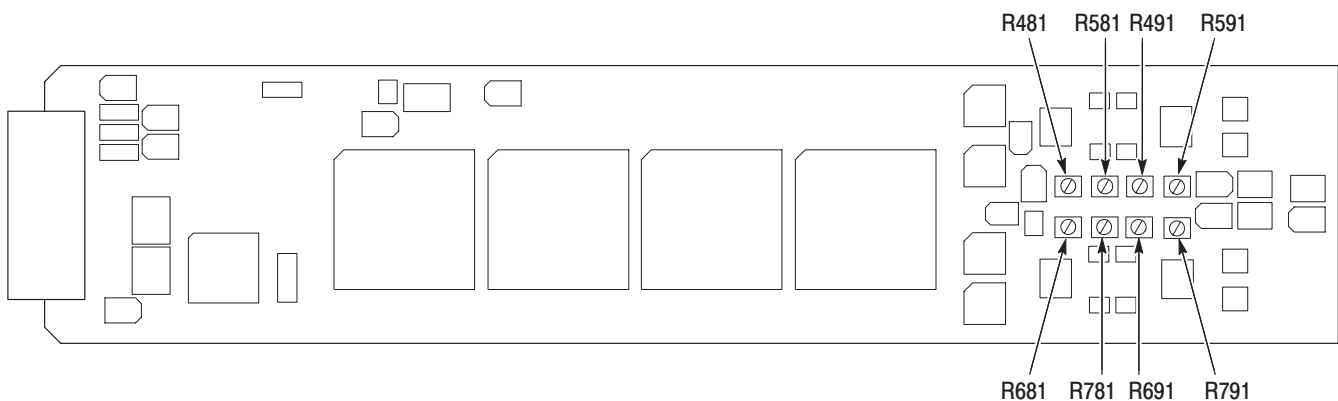


Figure 5-1: BG7 circuit board view

Procedure



WARNING. To avoid serious injury, do not touch exposed connectors or components when operating the TG700 mainframe with the top cover removed. Dangerous potentials exist at several points within the TG700 mainframe.

1. Use the 75 Ω BNC cable, BNC T connector, 75 Ω coax terminator, and BNC female-to-dual banana adapter to connect the BLACK 1 connector on the BG7 Generator module to the INPUT connector on the digital multi meter as shown in Figure 5–2.

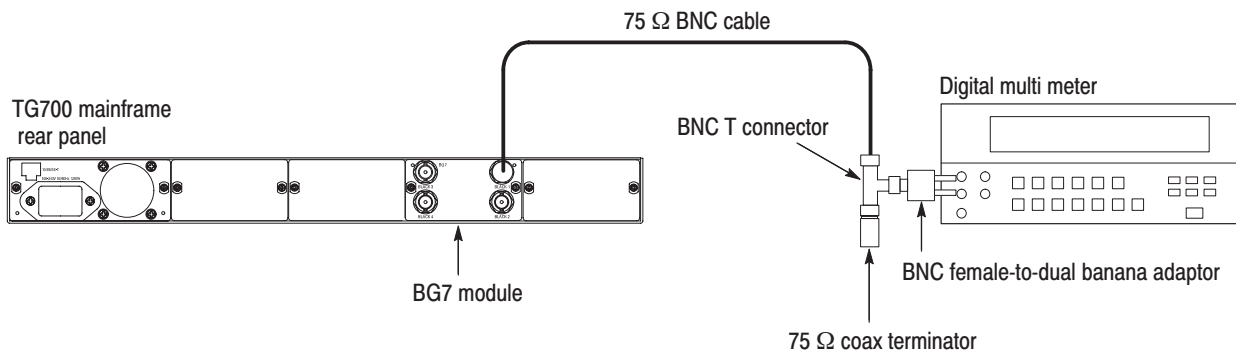


Figure 5-2: Equipment connection for adjusting the output offset and gain

2. Press the **MODULE**, **FORMAT**, and **FRONT PANEL ENABLE** buttons simultaneously, and then release the **MODULE** and **FORMAT** buttons to re-start the instrument in Factory mode.
3. Select the DAC Offset (0V DC) calibration signal for BLACK 1 through BLACK 4 as follows:
 - a. Press the **MODULE** button to display the **BG7** main menu.
 - b. Press the up (▲) or down (▼) arrow button to select **CALIBRATION**.
 - c. Press the left (◀) or right (▶) arrow button to select **BLACK 1**, and then press the **ENTER** button.
 - d. Press the left (◀) or right (▶) arrow button to select **CAL : DAC Offset (0V DC)**, and then press the **ENTER** button.
 - e. Press the **CANCEL** button.
 - f. Repeat parts c through e of this step to select the calibration signal for BLACK 2 through BLACK 4.
4. Locate variable resistor R491 on the BG7 circuit board. See Figure 5-1.
5. Adjust R491 so that the output offset is $0\text{ V} \pm 1\text{ mV}$.
6. Change the BNC cable connection from BLACK 1 connector to the BLACK 2 connector on the BG7 Generator module.
7. Locate variable resistor R591 on the BG7 circuit board. See Figure 5-1.
8. Adjust R591 so that the output offset is $0\text{ V} \pm 1\text{ mV}$.
9. Change the BNC cable connection from BLACK 2 connector to the BLACK 3 connector on the BG7 Generator module.
10. Locate variable resistor R691 on the BG7 circuit board. See Figure 5-1.

11. Adjust R691 so that the output offset is $0\text{ V} \pm 1\text{ mV}$.
12. Change the BNC cable connection from the BLACK 3 connector to the BLACK 4 connector on the BG7 Generator module.
13. Locate variable resistor R791 on the BG7 circuit board. See Figure 5–1.
14. Adjust R791 so that the output offset is $0\text{ V} \pm 1\text{ mV}$.
15. Select the DAC Gain (1.000V DC) calibration signal for BLACK 1 through BLACK 4 as follows:
 - a. Press the left (\blacktriangleleft) or right (\blacktriangleright) arrow button to select **BLACK 1**, and then press the **ENTER** button.
 - b. Press the left (\blacktriangleleft) or right (\blacktriangleright) arrow button to select **CAL : DAC Gain (1.000V DC)**, and then press the **ENTER** button.
 - c. Press the **CANCEL** button.
 - d. Repeat parts a through c of this step to select the calibration signal for BLACK 2 through BLACK 4.
16. Locate variable resistor R481 on the BG7 circuit board. See Figure 5–1.
17. Adjust R481 so that the output gain is $1\text{ V} \pm 1\text{ mV}$.
18. Change the BNC cable connection from the BLACK 1 connector to the BLACK 2 connector on the BG7 Generator module.
19. Locate variable resistor R581 on the BG7 circuit board. See Figure 5–1.
20. Adjust R581 so that the output gain is $1\text{ V} \pm 1\text{ mV}$.
21. Change the BNC cable connection from the BLACK 2 connector to the BLACK 3 connector on the BG7 Generator module.
22. Locate variable resistor R681 on the BG7 circuit board. See Figure 5–1.
23. Adjust R681 so that the output gain is $1\text{ V} \pm 1\text{ mV}$.
24. Change the BNC cable connection from the BLACK 3 connector to the BLACK 4 connector on the BG7 Generator module.
25. Locate variable resistor R781 on the BG7 circuit board. See Figure 5–1.
26. Adjust R781 so that the output gain is $1\text{ V} \pm 1\text{ mV}$.

Luminance Gain Adjustment (Option CB Only)

Preparation To perform the luminance gain adjustment, you must first remove the top cover of the TG700 mainframe. For removal and installation procedures for the top cover, refer to the *TG700 TV Signal Generator Platform Service Manual*.

After you have removed the top cover, find the variable resistors on the BG7 circuit board. See Figure 5-1.

Procedure



WARNING. To avoid serious injury, do not touch exposed connectors or components when operating the TG700 mainframe with the top cover removed. Dangerous potentials exist at several points within the TG700 mainframe.

1. Use the 75 Ω BNC cable to connect the BLACK 3 connector on the BG7 Generator module to the CHAN A connector on the video measurement set as shown in Figure 5-3.
2. Use the 75 Ω coax terminator to terminate the other loop through to the CHAN A connector on the video measurement set.

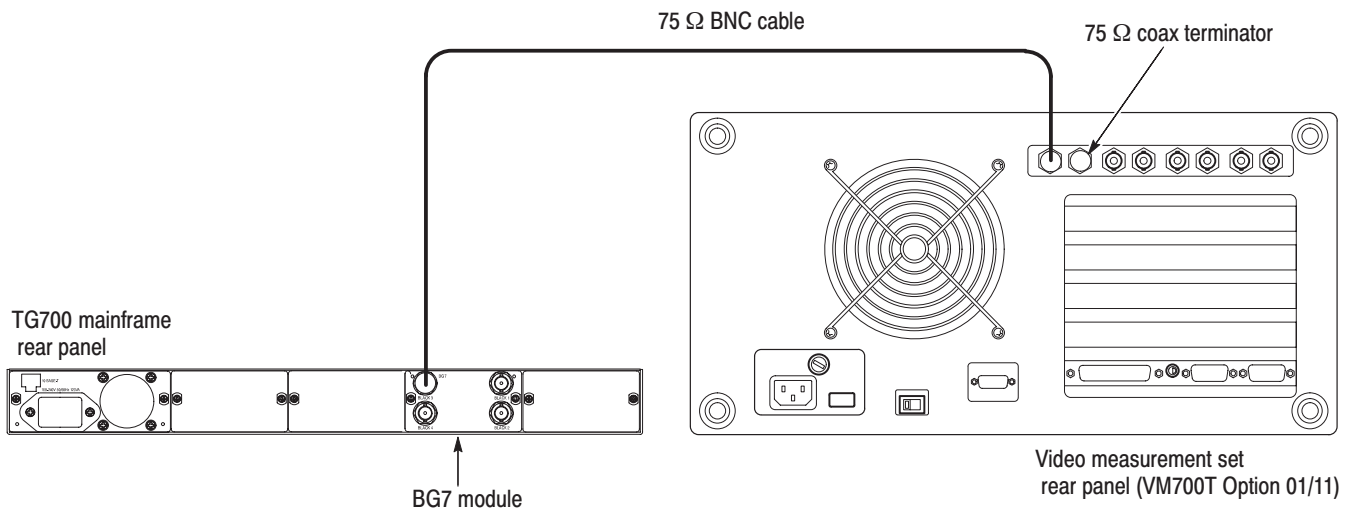


Figure 5-3: Equipment connection for adjusting luminance gain

3. Select the **75% Colour Bars** signal for BLACK 3 and BLACK 4 as follows:
 - a. Press the **MODULE** button to display the BG7 main menu.
 - b. Press the left (◀) or right (▶) arrow button to select **BLACK 3**, and then press the **ENTER** button.
 - c. Press the left (◀) or right (▶) arrow button to select **PAL**, and then press the **ENTER** button.
 - d. Press the left (◀) or right (▶) arrow button to select **75% Colour Bars**, and then press the **ENTER** button.
 - e. Press the **CANCEL** button twice to return the module main menu.
 - f. Repeat parts steps b through d of this step to select the 75% Colour Bars signal for BLACK 4.
4. Press the **Measure** button on the video measurement set to open the Measure mode display.
5. Touch the **Video Standard** soft key to change the acceptable video standard for PAL.
6. In the Measure mode display, touch the **Color Bar** soft key to open the Color Bar measurement display.
7. Press the **Menu** button to display the Color Bar main menu.
8. Touch the **Average** soft key and rotate the front-panel knob to set the value to 16.
9. Locate variable resistor R681 on the BG7 circuit board. See Figure 5–1.
10. Adjust R681 so that the luminance gain (White) is $700 \text{ mV} \pm 1.5 \text{ mV}$.
11. Verify that chrominance gain (Red) is within the range of 658.8 mV to 668.8 mV.
12. Change the BNC cable connection from the BLACK 3 connector to the BLACK 4 connector on the BG7 Generator module.
13. Locate variable resistor R781 on the BG7 circuit board. See Figure 5–1.
14. Adjust R781 so that the luminance gain (White) is $700 \text{ mV} \pm 1.5 \text{ mV}$.
15. Verify that chrominance gain (Red) is within the range of 658.8 mV to 668.8 mV.



Maintenance

Maintenance

This section contains instructions and procedures for maintaining the BG7 Generator module. For information on servicing the mainframe, refer to the *TG700 TV Signal Generator Platform Service Manual*.

The following information can be found in this section:

- Preparation page 6–1
- Inspection and Cleaning (preventive maintenance) page 6–3
- Repackaging Instructions page 6–3
- Removal and Replacement page 6–5
- Troubleshooting page 6–7

If the instrument does not function properly, troubleshooting and corrective measures should be taken immediately to prevent additional problems.

NOTE. Contact your local Tektronix representative for information on where to return your instrument if it requires repair during the warranty period.

Preparation

Please read and follow these preparation instructions before attempting to perform any maintenance or service to the instrument.

Servicing Prerequisites

Make sure of the following before beginning any instrument service:

- The maintenance or service of this instrument must be performed by qualified service personnel only.
- Read the *Service Safety Summary* located at the beginning of this manual before attempting to perform any maintenance or service to the instrument.
- Read the *Operating Information* section of this manual before attempting to perform any maintenance or service to the instrument.

Electrostatic Damage Prevention

This instrument contains electrical components that are susceptible to damage from electrostatic discharge. Static voltages of 1 kV to 30 kV are common in unprotected environments.



CAUTION. *Static discharge can damage any semiconductor component in this instrument.*

Observe the following precautions to avoid static damage:

- Minimize handling of static-sensitive components.
- Transport and store static-sensitive components or assemblies in their original containers, on a metal rail, or on conductive foam. Label any package that contains static-sensitive assemblies or components.
- Discharge the static voltage from your body by wearing a wrist strap while handling these components. Servicing static-sensitive assemblies or components should only be performed at a static-free workstation by qualified personnel.
- Nothing capable of generating or holding a static charge should be allowed on the workstation surface.
- Keep the component leads shorted together whenever possible.
- Pick up components by the body, never by the leads.
- Do not slide the components over any surface.
- Avoid handling components in areas that have a floor or work surface covering capable of generating a static charge.
- Use a soldering iron that is connected to earth ground.
- Use only special antistatic, suction-type or wick-type desoldering tools.

NOTE. *A 2% RMA flux content solder is recommended for making repairs in this instrument. Cleaning of rosin residue is not recommended. Most cleaning solvents tend to reactivate the rosin and spread it under components where it may cause corrosion under humid conditions. The rosin residue, if left alone, does not exhibit these corrosive properties.*

Inspection and Cleaning

Preventive maintenance consists of cleaning, visual inspection, performance checking, and, if needed, readjustment. The preventive maintenance schedule established for the instrument should be based on the environment in which it is operated and the amount of use. Under average conditions, scheduled preventive maintenance should be performed every 2000 hours of operation.

General Care

Protect the module from adverse weather conditions. The module is not waterproof.



CAUTION. To avoid damage to this module, do not expose it to sprays, liquids, or solvents. Do not flex the circuit board if you remove the board from its mounting shield. The circuit board can be damaged by flexing. The shield provides necessary structural support to the circuit board.

Inspecting and Cleaning Procedures

Clean the mainframe and modules often enough to prevent dust or dirt from accumulating. Refer to *Inspecting and Cleaning Procedures* in the *TG700 TV Signal Generator Platform Service Manual*.

Performance Verification

Check module performance after each 2000 hours of operation or every 12 months. This will help to ensure maximum performance and assist in locating defects that may not be apparent during regular operation. Performance verification procedures are included in this manual.

Repackaging Instructions

Use the following instructions to prepare your instrument for shipment to a Tektronix, Inc., Service Center:

1. Attach a tag to the instrument showing: the owner, complete address and phone number of someone at your firm who can be contacted, the instrument serial number, and a description of the required service.
2. Package the instrument in the original packaging materials. If the original packaging materials are not available, follow these directions:
 - a. Obtain a carton of corrugated cardboard having inside dimensions six or more inches greater than the dimensions of the instrument. Use a shipping carton that has a test strength of at least 250 pounds (113.5 kg).
 - b. Surround the module with a protective (anti-static) bag.

Removal and Replacement

This section contains the instructions on how you can remove and replace the customer replaceable parts of the BG7 Generator module.

Tools Required

The following tools are required to perform the removal and replacement procedures:

Table 6-1: Required tools

Name	Description	Tektronix part number
Screwdriver handle	Accepts Phillips-driver bits	
#1 Phillips tip	Phillips-driver bit for #1 size screws	
#2 Phillips tip	Phillips-driver bit for #2 size screws	
Nut driver, 14 mm	Special nut driver for removing the BNC connectors of the BG7 module	030-A041-00

Replacing the Rear Panel Connectors and Chassis

It is usually not necessary to replace the rear panel connectors and chassis. However, if a connector or chassis becomes damaged, you can replace them.

Replacing the Rear Panel Connectors

Perform the following procedure to replace the rear panel connector:

1. Use the *Module Installation* section in the *TG700 TV Signal Generator Platform Service Manual* to remove the BG7 Generator module from the mainframe.
2. Disconnect the cables at P830 (BLACK 1), J880 (BLACK 2), J930 (BLACK 3) and J980 (BLACK 4) on the BG7 circuit board.
3. Use the 14 mm nut driver to remove the nut securing the damaged connector to the chassis. Pull the connector away.
4. Perform steps 2 and 3 in reverse order to replace the connector.

Replacing the chassis

Perform the following procedure to replace the chassis:

1. Use the 14 mm nut driver to remove the nuts from each of the rear panel connectors.
2. Use a screwdriver with a size #2 Phillips tip to remove the six screws securing the BG7 circuit board to the chassis.
3. Lift the circuit board up and away from chassis, and then place it on a static free surface.
4. Set the replacement chassis on a firm, flat, static-free work surface.
5. Carefully place the circuit board in place on the chassis.
6. Use a screwdriver with a #2 Phillips tip to install the five screws securing the circuit board to the chassis.
7. Apply the rear panel to the chassis, and then install all the rear panel connectors to the chassis.

Troubleshooting

This section contains instructions and procedures for troubleshooting the BG7 Generator module. These procedures will help you decide whether it is necessary to replace your module.

If the TG700 mainframe does not boot up or if the display is not working, refer to *Troubleshooting* in the *TG700 TV Signal Generator Platform Service Manual*.

Equipment Required

The equipment listed in Table 6–2 is required for troubleshooting.

Table 6–2: Equipment required for troubleshooting

Equipment description	Minimum requirements/example
Screwdriver handle	Accept Phillips-driver bits
#1 Phillips tip	Phillips-driver bit for #1 size screw heads
TG700 mainframe	A TG700 mainframe that is functioning correctly.

Backing up the instrument settings

Before you begin the trouble shooting procedures, create a preset to save your instrument settings as follows:

1. Press the **MODULE** button until the mainframe main menu (TG700: PRESET) appears.
2. Press the **ENTER** button to access the PRESET submenu.
3. Press the up (▲) or down (▼) arrow button to select **SAVE**.
4. Press the left (◀) or right (▶) arrow button to select a preset number to save instrument settings.
5. Press the **ENTER** button to save the current instrument settings to the new preset.

After the problem is solved, recall the preset you created.

Troubleshooting Trees

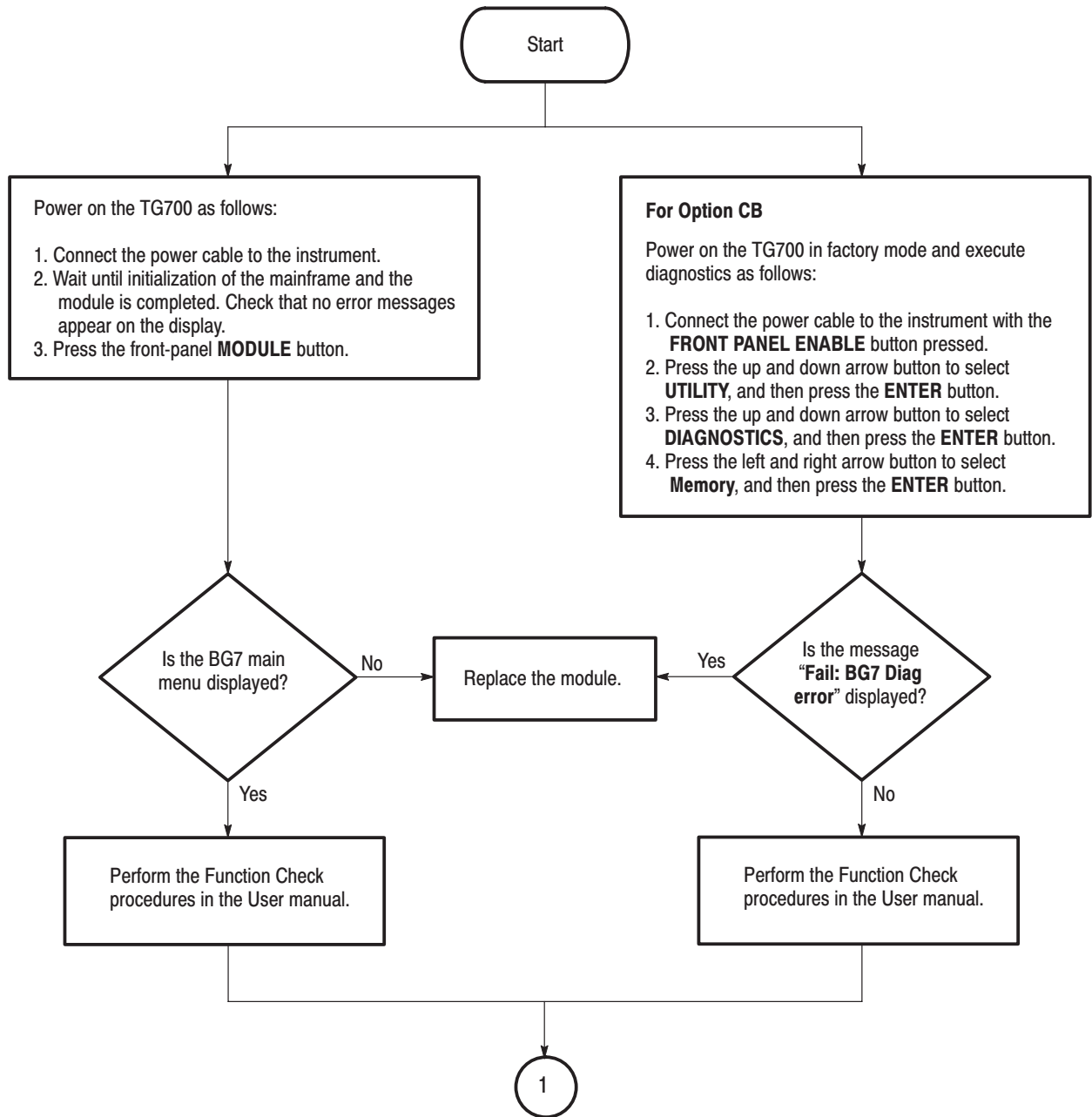


Figure 6-1: Troubleshooting procedure (1)

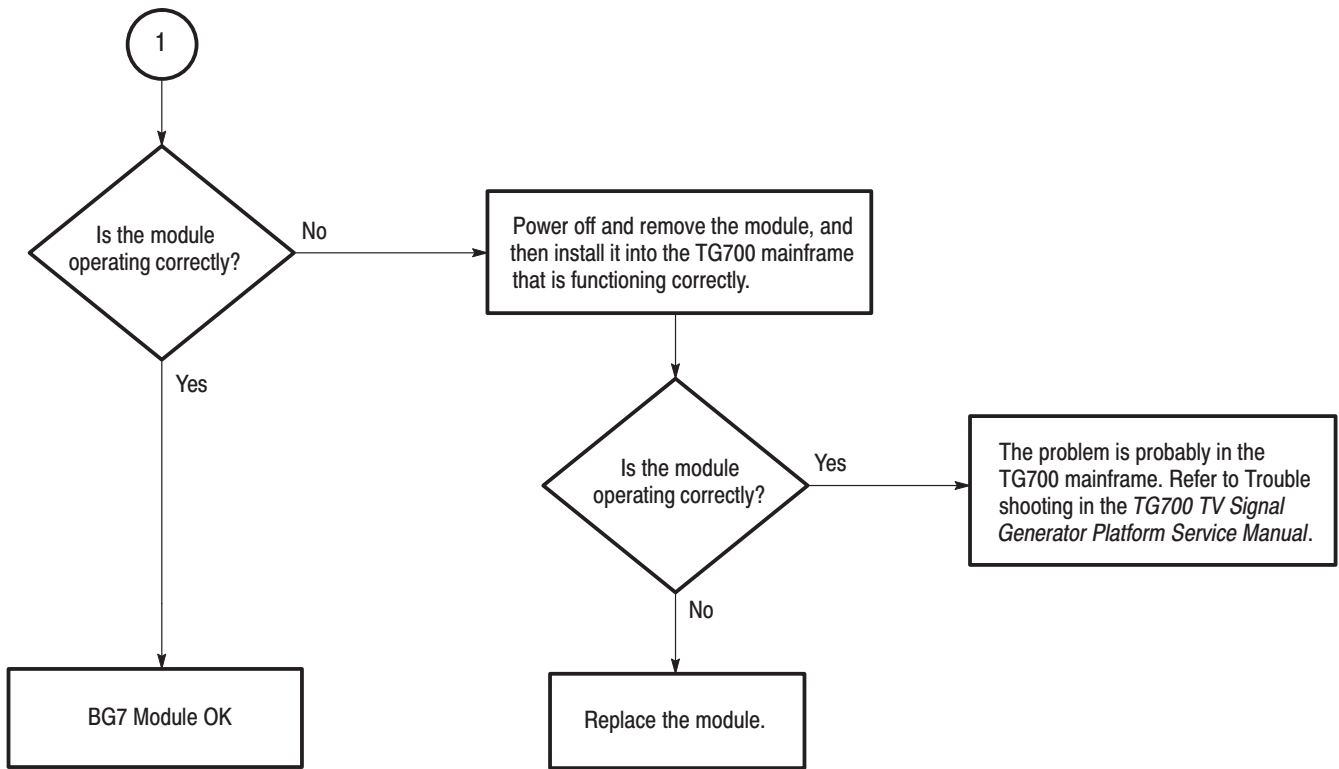


Figure 6-2: Troubleshooting procedure (2)



Options

Options

This section describes options that are available for the BG7 Generator module.

The following options are available.

- Option CB (Adds NTSC/PAL Color Bars)
- Option D1 (Test data report)

Option CB Description

Option CB adds 10 field ID and NTSC/PAL color bar signals to the standard black burst signal. These additional signals are available from the BLACK 3 and BLACK 4 outputs only.

Option D1 Description

A calibration data test result report will be provided with the BG7 Generator module when this option is specified.



Replaceable Electrical Parts



Replaceable Electrical Parts

The module-level replaceable electrical parts are included in the *Replaceable Mechanical Parts* list. Since component-level repair is not supported, individual electrical components are not listed.



Diagram

Diagram

Figure 9-1 shows the BG7 Generator module and how it interconnects with the TG700 TV Signal Generator Platform.

Diagrams showing mainframe component interconnections, such as power supply and oscillator, can be found in the *TG700 TV Signal Generator Platform Service Manual*.

A block diagram of the BG7 Generator module is located in the *Theory of Operation* section, beginning on page 3-1.

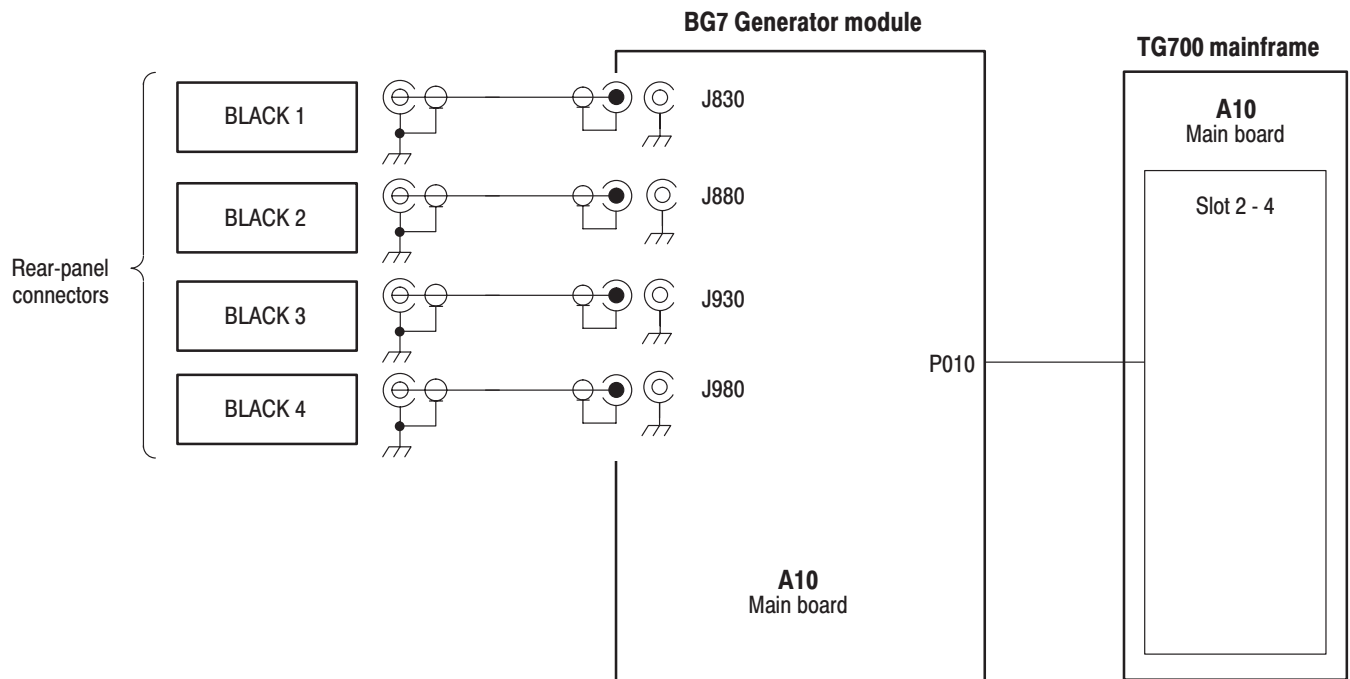


Figure 9-1: BG7 Generator module connections



Mechanical Parts List

Mechanical Parts List

This section contains a list of the replaceable modules for the BG7 Generator module. Use this list to identify and order replacement parts.

Parts Ordering Information

Replacement parts are available through your local Tektronix field office or representative.

Changes to Tektronix products are sometimes made to accommodate improved components as they become available and to give you the benefit of the latest improvements. Therefore, when ordering parts, it is important to include the following information in your order:

- Part number
- Instrument type or model number
- Instrument serial number
- Instrument modification number, if applicable

If you order a part that has been replaced with a different or improved part, your local Tektronix field office or representative will contact you concerning any change in part number.

Module Servicing

Modules can be serviced by selecting one of the following three options. Contact your local Tektronix service center or representative for repair assistance.

Module Exchange. In some cases you may exchange your module for a remanufactured module. These modules cost significantly less than new modules and meet the same factory specifications. For more information about the module exchange program, call 1-800-833-9200. Outside North America, contact a Tektronix sales office or distributor; see the Tektronix web site for a list of offices: www.tektronix.com

Module Repair and Return. You may ship your module to us for repair, after which we will return it to you.

New Modules. You may purchase replacement modules in the same way as other replacement parts.

Using the Replaceable Parts List

This section contains a list of the mechanical and/or electrical components that are replaceable for the BG7 Generator module. Use this list to identify and order replacement parts. The following table describes each column in the parts list.

Parts list column descriptions

Column	Column name	Description
1	Figure & Index Number	Items in this section are referenced by figure and index numbers to the exploded view illustrations that follow.
2	Tektronix Part Number	Use this part number when ordering replacement parts from Tektronix.
3 and 4	Serial Number	Column three indicates the serial number at which the part was first effective. Column four indicates the serial number at which the part was discontinued. No entries indicates the part is good for all serial numbers.
5	Qty	This indicates the quantity of parts used.
6	Name & Description	An item name is separated from the description by a colon (:). Because of space limitations, an item name may sometimes appear as incomplete. Use the U.S. Federal Catalog handbook H6-1 for further item name identification.
7	Mfr. Code	This indicates the code of the actual manufacturer of the part.
8	Mfr. Part Number	This indicates the actual manufacturer's or vendor's part number.

Abbreviations Abbreviations conform to American National Standard ANSI Y1.1-1972.

Mfr. Code to Manufacturer Cross Index The table titled Manufacturers Cross Index shows codes, names, and addresses of manufacturers or vendors of components listed in the parts list.

Manufacturers cross index

Mfr. code	Manufacturer	Address	City, state, zip code
S3109	FELLER	72 VERONICA AVE UNIT 4	SUMMERSET NJ 08873
TK0191	SONY/TEKTRONIX	PO BOX 5209 TOKYO INTERNATIONAL	TOKYO JAPAN 100-31
TK2432	UNION ELECTRIC	15/F #1, FU-SHING N. ROAD	TAIPEI, TAIWAN ROC
2W733	BELDEN CORPORATION	2200 US HIGHWAY 27 SOUTH PO BOX 1980	RICHMOND IN 47375-0010
80009	TEKTRONIX INC	14150 SW KARL BRAUN DR PO BOX 500	BEAVERTON, OR 97077-0001

Replaceable parts list

Fig. & index number	Tektronix part number	Serial no. effective	Serial no. discont'd	Qty	Name & description	Mfr. code	Mfr. part number
10-1	116-A003-00			1	EXCHANGE MODULE:BG7	80009	
	116-A004-00			1	EXCHANGE MODULE:BG7-CB	80009	
10-1-1	441-A269-00			1	CHASSIS,MODULE AGL7:ASSY	80009	
-2	333-A406-00			1	PANEL,REAR:BG7,AL	80009	
-3	214-4946-00			2	SPRING,CONICAL:VXI MOUNTING SCREW,0.26 MM SUS304,5.4 MML	80009	
-4	213-1129-00			2	SCREW,MACHINE:M2.5X11MM L,PAN HD,STL,N1 PL,CROSS REC & SLOTTED [322401-05]	80009	
-5	348-A128-00			2.5 CM	SHLD GASKET,ELEK:FINGER TYPE,5.1MM LX6.4MM W,BE-CU [97-645-02]	80009	
-6	174-B851-00			4	CABLE ASSY,RF:75OHM COAX(RG179),5.5CM L,BNC TO MCX	80009	
-7	211-A245-00			5	SCREW,MACHINE:M3X6MM L,PNH,STL,NI PL,CROSS REC,W/KOGATAMARU&LOCK WASHER	80009	
-8	334-1378-03			1	MARKER,IDENT:MKD SERIAL NO. FOR SONY/TEK	80009	
					OPTIONAL ACCESSORIES		
	070-A800-XX			1	MANUAL,TECH:SERVICE,TG700	TK0191	
	003-A041-00			1	NUTDRIVER,BOX:14MM HEX,BNC RETAINING NUT,MODIFIED 19MM	TK0191	

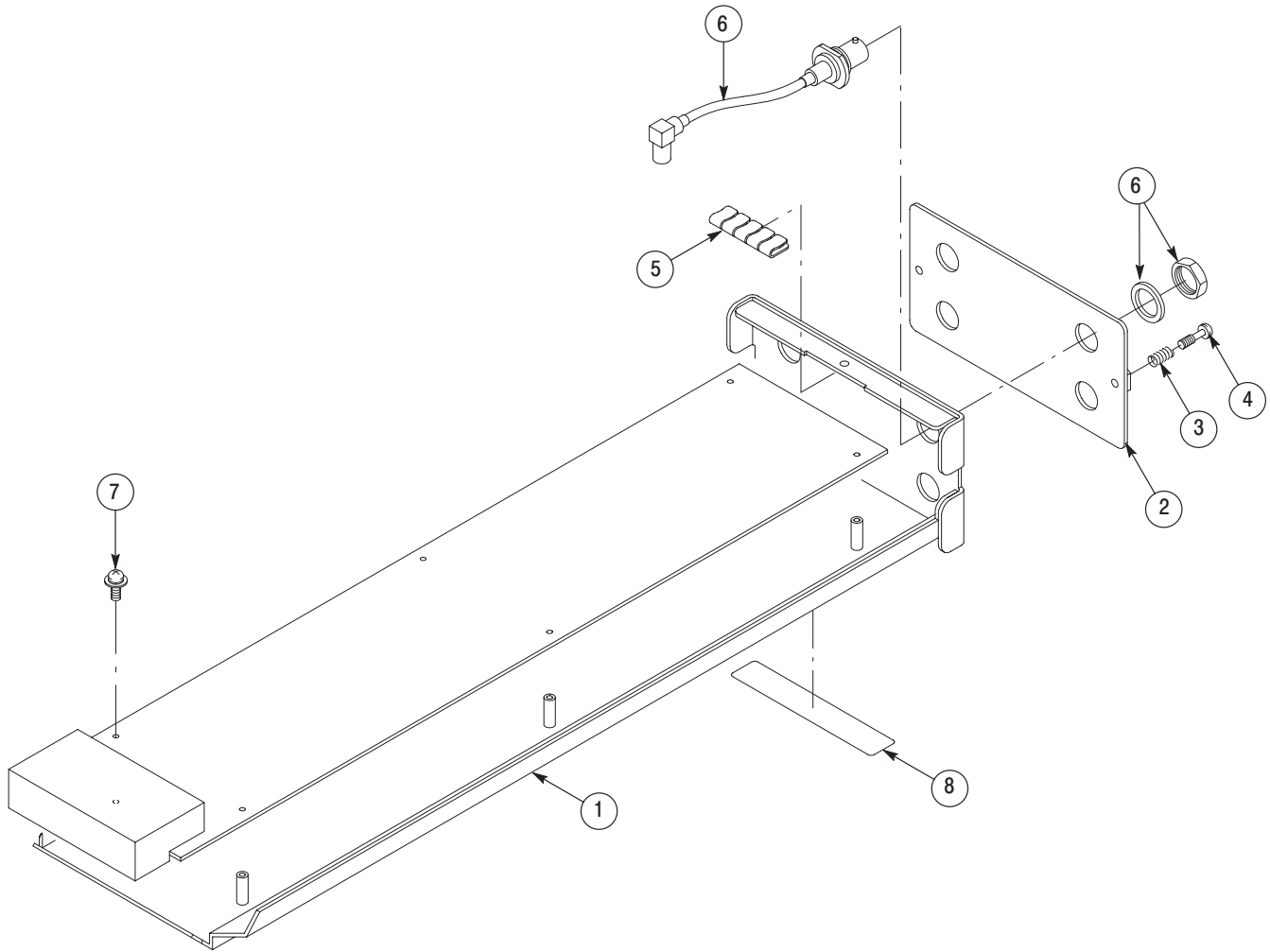


Figure 10-1: BG7 Generator module exploded view

Service Manual



DVG7 Digital Video Generator

Copyright © Tektronix, Inc. All rights reserved.

Copyright © Sony/Tektronix Corporation. All rights reserved.

Printed in Japan.

Sony/Tektronix Corporation, 5-9-31 Kitashinagawa, Shinagawa-ku, Tokyo 141-0001 Japan

Tektronix, Inc., P.O. Box 500, Beaverton, OR 97077

TEKTRONIX and TEK are registered trademarks of Tektronix, Inc.

Table of Contents

Preface	v
Manual Structure	v
Related Manuals	vi
Contacting Tektronix	vi

Specifications

Specifications	1-1
Product Description	1-1
Electrical Characteristics	1-2
Environmental Characteristics	1-3

Operating Information

Operating Instructions	2-1
Operation Procedure	2-1
Selecting an Output Signal	2-2
DVG7 Module Main Menu	2-4

Theory of Operation

Theory of Operation	3-1
----------------------------------	------------

Performance Verification

Performance Verification	4-1
Preparation for Performance Verification	4-1
Equipment Required	4-1
Calibration Data Report	4-2
Performance Verification Procedures	4-3

Adjustment Procedures

Adjustment Procedures	5-1
Requirements for Adjustment	5-1
Equipment Required	5-1
Output Level Adjustment	5-2

Maintenance

Maintenance	6-1
Preparation	6-1
Inspection and Cleaning	6-3
Repackaging Instructions	6-3
Removal and Replacement	6-5
Tools Required	6-5
Replacing the Rear Panel Connectors and Chassis	6-5
Troubleshooting	6-7
Equipment Required	6-7
Backing up the instrument settings	6-7
Troubleshooting Trees	6-8

Options

Options	7-1
Option BK Description	7-1
Option D1 Description	7-1

Replaceable Electrical Parts

Replaceable Electrical Parts	8-1
---	------------

Diagram

Diagram	9-1
----------------------	------------

Mechanical Parts List

Mechanical Parts List	10-1
Parts Ordering Information	10-1
Using the Replaceable Parts List	10-2

List of Figures

Figure 2–1: DVG7 module main menu	2–4
Figure 2–2: MOVING PICTURE submenu	2–5
Figure 2–3: LOGO OVERLAY submenu	2–6
Figure 2–4: TEXT OVERLAY submenu	2–7
Figure 2–5: CIRCLE OVERLAY submenu	2–8
Figure 2–6: AUDIO GROUP submenu	2–9
Figure 2–7: AUDIO CHANNEL submenu	2–10
Figure 2–8: TIMING submenu	2–10
Figure 2–9: VIDEO submenu	2–11
Figure 2–10: BLACK submenu (Option BK only)	2–12
Figure 3–1: Simplified block diagram of the DVG7 Generator module	3–2
Figure 4–1: Equipment connection for verifying the serial digital outputs	4–3
Figure 5–1: DVG7 circuit board view	5–2
Figure 5–2: Equipment connection for adjusting the output level ...	5–3
Figure 6–1: Troubleshooting procedure (1)	6–8
Figure 6–2: Troubleshooting procedure (2)	6–9
Figure 9–1: DVG7 Generator module connections	9–1
Figure 10–1: DVG7 Generator module exploded view	10–4

List of Tables

Table 1–1: Serial digital video signal outputs	1–2
Table 1–2: Serial digital black signal outputs (Option BK only) ...	1–2
Table 1–3: Embedded audio	1–3
Table 1–4: Environmental characteristics	1–3
Table 4–1: Equipment required for Performance Verification	4–1
Table 4–2: DVG7 Calibration Data Report	4–2
Table 5–1: Equipment required	5–1
Table 6–1: Required tools	6–5
Table 6–2: Equipment required for troubleshooting	6–7

Preface

This is the service manual for the DVG7 Digital Video Generator module. This manual contains information needed to service an DVG7 Generator module to the module level.

Manual Structure

This manual is divided into sections, such as *Specifications* and *Theory of Operation*. Further, some sections are divided into subsections, such as *Product Description* and *Removal and Installation Procedures*.

Sections containing procedures also contain introductions to those procedures. Be sure to read these introductions because they provide information needed to do the service correctly and efficiently. The following are a brief descriptions of each manual section.

- *Specifications* contains a description of the DVG7 Generator module and the characteristics that apply to it.
- *Operating Information* provides basic operating information.
- *Theory of Operation* is an overview of the module's design.
- *Performance Verification* contains procedures to perform the operation tests.
- *Adjustment Procedures* contains procedures for adjusting a DVG7 Generator module to meet warranted characteristics..
- *Maintenance* contains installation, removal and replacement, and troubleshooting instructions.
- *Options* contains a description of available options for the DVG7 Generator module.
- *Replaceable Electrical Parts* for the module level are included in the Replaceable Mechanical Parts list.
- *Diagram* contains interconnect diagram showing the connections between the DVG7 Generator module and the mainframe.
- *Replaceable Mechanical Parts* lists the part numbers for replacement parts that you can order. Exploded view illustrations help you to identify the parts.

Related Manual

The following document is related to the DVG7 Generator module.

- The *TG700 TV Signal Generator Platform User Manual* (Tektronix part number 070-A799-XX) describes how to use the TG700 mainframe and all modules. It also contains information about remote commands and programming structure for the TG700 mainframe and all modules.

Contacting Tektronix

Phone	1-800-833-9200*
Address	Tektronix, Inc. Department or name (if known) 14200 SW Karl Braun Drive P.O. Box 500 Beaverton, OR 97077 USA
Web site	www.tektronix.com
Sales support	1-800-833-9200, select option 1*
Service support	1-800-833-9200, select option 2*
Technical support	Email: techsupport@tektronix.com 1-800-833-9200, select option 3* 1-503-627-2400 6:00 a.m. – 5:00 p.m. Pacific time

* **This phone number is toll free in North America. After office hours, please leave a voice mail message. Outside North America, contact a Tektronix sales office or distributor; see the Tektronix web site for a list of offices.**



Specifications

Specifications

This section contains a general product description of the DVG7 Generator module followed by the operating specifications of the module.

Product Description

The DVG7 Generator module is designed to be installed in the TG700 TV Signal Generator Platform.

The module is a digital video generator which provides NTSC composite digital signals and 525/625 component digital signals. The module contains the following features:

- Two serial digital video outputs
- Two serial digital black outputs (Option BK)
- Overlay of circle, text, or logo on the video signal
- Moving picture, generated by scrolling the active picture area of the output test signal
- Up to 16 channels of Embedded Audio
- Full remote control using Ethernet interface

The module can generate video signals with 24 (or 20) bit embedded digital audio with a sample rate of 48 kHz.

The following audio frequencies are supported:

Silence	500 Hz	2000 Hz	8000 Hz
50 Hz	600 Hz	2400 Hz	9600 Hz
100 Hz	750 Hz	3000 Hz	10000 Hz
150 Hz	800 Hz	3200 Hz	12000 Hz
200 Hz	1000 Hz	4000 Hz	15000 Hz
250 Hz	1200 Hz	4800 Hz	16000 Hz
300 Hz	1500 Hz	5000 Hz	20000 Hz
400 Hz	1600 Hz	6000 Hz	

Electrical Characteristics

Tables 1–1 through 1–3 list the electrical characteristics of the DVG7 Generator module.

Table 1–1: Serial digital video signal outputs

Characteristic	Performance requirements	Reference information
Connector	BNC	
Number of output	2	SIGNAL 1 and SIGNAL 2
Bit Rate	143 Mbps 270 Mbps	
Signal amplitude, typical		800 mV \pm 10 %
Rise and fall times, typical		0.4 ns to 1.5 ns, 20 % to 80 %
Jitter, typical		\leq 0.2 Ulp-p for all jitter frequencies above 10 Hz.
Return loss	$>$ 15 dB	5 MHz to 270 MHz

Table 1–2: Serial digital black signal outputs (Option BK only)

Characteristic	Performance requirements	Reference information
Connector	BNC	
Number of outputs	2	BLACK 1 and BLACK 2
Bit Rate	143 Mbps 270 Mbps	
Signal amplitude, typical		800 mV \pm 10 %
Rise and fall times, typical		0.4 ns to 1.5 ns, 20 % to 80 %
Jitter, typical		\leq 0.2 Ulp-p for all jitter frequencies above 10 Hz.
Return loss	$>$ 15 dB	5 MHz to 270 MHz

Table 1-3: Embedded audio

Characteristic	Performance requirements	Reference information
Number of channels	16 channels in 4 groups; 8 AES/EBU audio pairs	
Audio tones		
Frequency	Silence to 20 kHz; 31 discrete settings	
Level	-60 to 0 dBFS in 1 dB steps	
Pre-emphasis		Emphasis status bits can be inserted.

Environmental Characteristics

Table 1-4 lists the environmental characteristics of the DVG7 Generator module.

Table 1-4: Environmental characteristics

Characteristic	Description
Temperature	
Operating	0° C to +50° C
Non-operating	-20° C to +60° C
Relative Humidity	
Operating	20% to 80% (No condensation) ; Maximum wet-bulb temperature 29.4° C
Non-operating	5% to 90% (No condensation) ; Maximum wet-bulb temperature 40.0° C
Altitude	
Operating	To 4.5 km (15,000 feet) Maximum operating temperature decreases 1° C each 300 m above 1.5 km.
Non-operating	To 15 km (50,000 feet)
Vibration	
Operating	3.04 m/s ² (0.31 G _{rms}), 5 to 500 Hz, 10 min, three axes
Non-operating	23.3 m/s ² (2.38 G _{rms}), 5 Hz to 500 Hz, 10 min, three axes
Shock	
Non-operating	294 m/s ² (30 G), half-sine, 11 ms duration



Operating Information

Operating Instructions

Before servicing the DVG7 Generator module, read the following operating instructions. These instructions are at the level appropriate for servicing the DVG7 Generator module. The user manual contains complete operator instructions.

This section provides the following information:

- Operating Procedure
- Selecting an Output Signal
- DVG7 Module Main Menu

Operating Procedure

After the module is installed in the mainframe, and the mainframe is installed in the rack or other location where it will be used, access each function of the module with the following procedure:

1. Connect the power connector on the rear panel to the AC electric power source using the power cord. Electric power is supplied to the mainframe.
2. Wait until the mainframe and installed modules complete the initialization process. Check that no error messages appear on the display.
3. The top menu item of the mainframe main menu shown below appears on the display after initialization is complete.



TG700 : PRESET

4. Press the front-panel **MODULE** button until the DVG7 module main menu appears, as shown below.



DVG7 [x] : STATUS : 525-270
100% Color Bars

5. Select the signal format and the signal you want to output. Refer to *Selecting a Output Signal* on Page 2-2 for more information.

6. Press the front-panel arrow buttons to select the desired main menu item or submenu item.

Refer to *DVG7 Module Main Menu*, beginning on Page 2–4, for detailed information about the main menu items and the submenu items.

Selecting an Output Signal

When you output a signal from the DVG7 Generator module, you need to select a signal format and output signal. This subsection provides instructions on how to output a signal.

Selecting a Format

If you press the front-panel **FORMAT** button when the DVG7 Generator module is selected (active), you can select the format for the output signals.

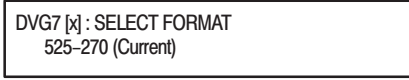
Perform the following steps to select the format:

1. Confirm that any menu item of the DVG7 module main menu is displayed. If the menu is not displayed, press the front-panel **MODULE** button until the DVG7 module main menu appears, as shown below.



DVG7 [x] : STATUS : 525-270
100% Color Bars

2. Press the **FORMAT** button. The menu display changes as follows:



DVG7 [x] : SELECT FORMAT
525-270 (Current)

3. Press the left (◀) or right (▶) arrow button to select one of the signal formats, and then press the **ENTER** button to confirm the selection.

NOTE. When you change signal format, synchronization shock occurs.

When you change the format while a signal is output, the instrument starts loading the complete signal set for the format and displays the message “**Now Loading...**”. When you see the message, “**Done (Press CANCEL)**”, press the **CANCEL** button.

Selecting a Signal

All signal sets available in the module are already assigned to the corresponding test signal buttons. When you press any of the buttons, one of the signals in the signal set is output.

For example, when you press the **COLOR BAR** test signal button, you can output the **100% Color Bars** signal in the Color Bars signal set.

Press the left (◀) or right (▶) arrow button, or press the test signal button repeatedly to select different signals assigned to the test signal button.

DVG7 Module Main Menu

You can set the logo, circle, and text overlay, embedded audio, and timing offset of the serial digital signal outputs using the DVG7 module main menu.

Use the up (▲) or down (▼) arrow button to scroll through the main menu. Figure 2-1 shows the DVG7 module main menu.

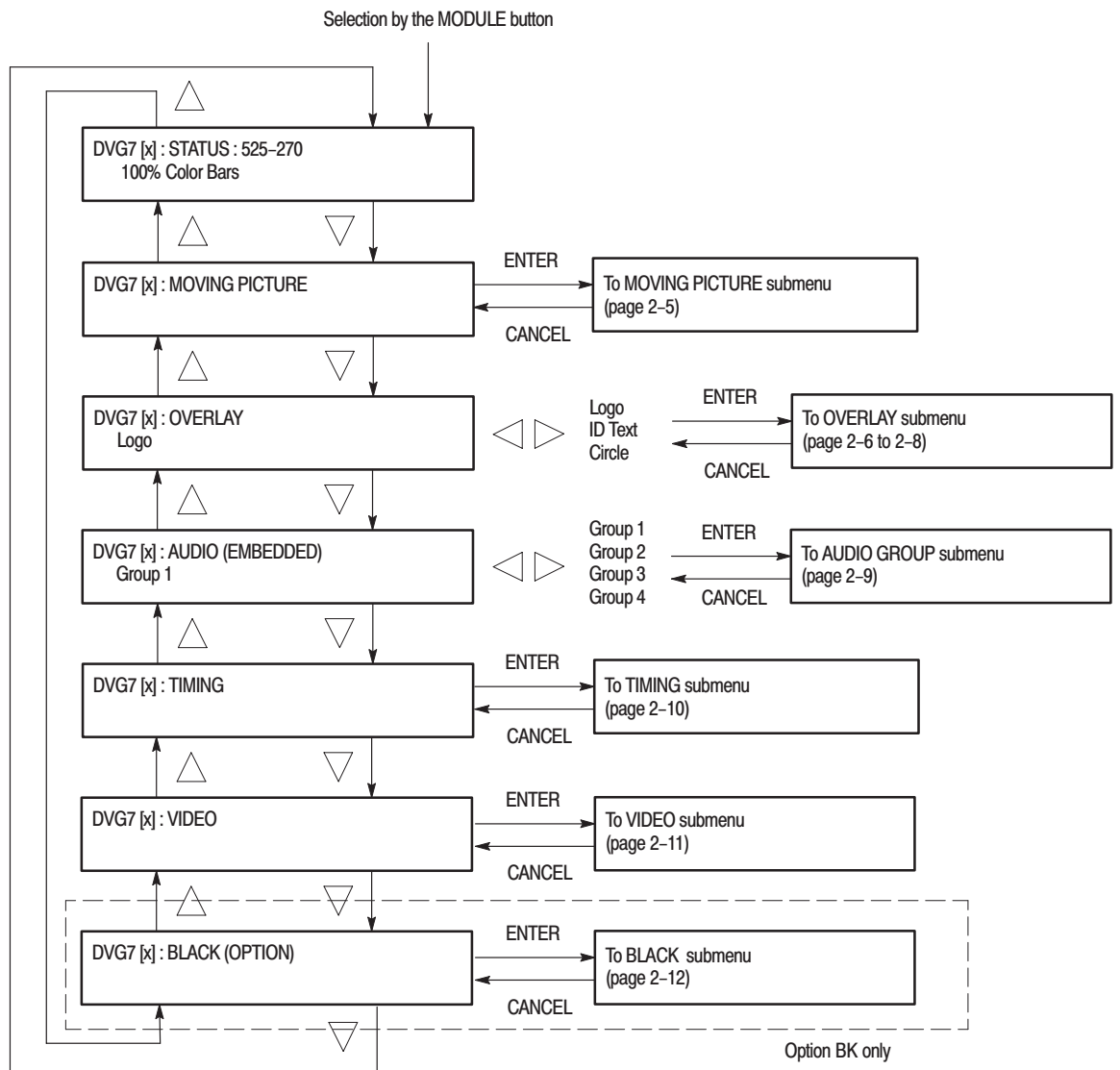


Figure 2-1: DVG7 module main menu

**MOVING PICTURE
Submenu**

This menu allows you to scroll the active picture area of the serial digital video signal up/down or left/right (or randomly). Use the up (▲) or down (▼) arrow button to scroll through the menu. Figure 2–2 shows the MOVING PICTURE submenu.

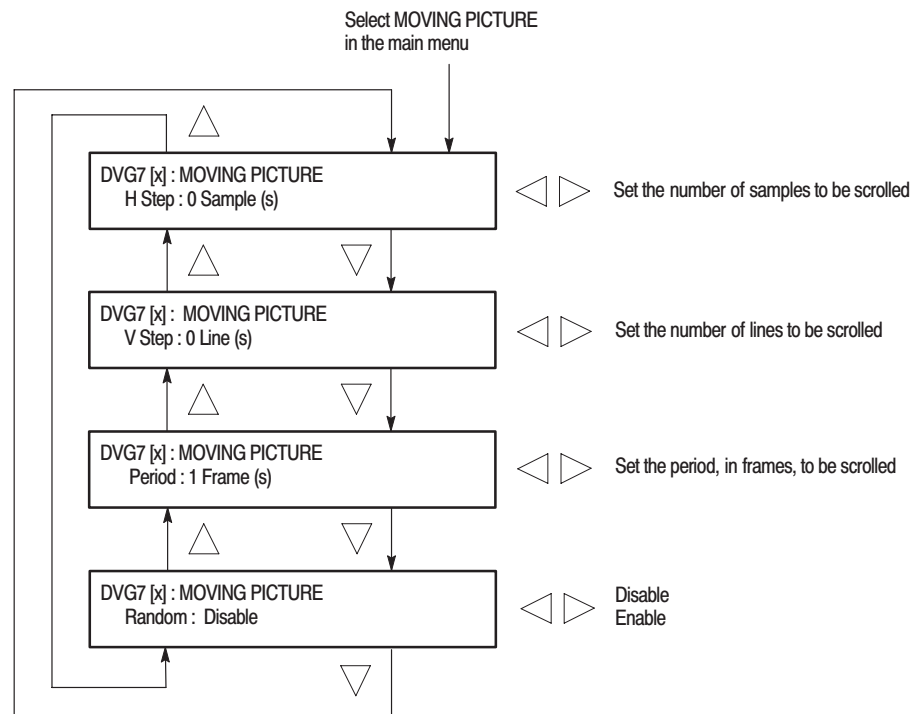


Figure 2–2: MOVING PICTURE submenu

**LOGO OVERLAY
Submenu**

This menu allows you to select a logo to overlay on the output test signal, and to set the display position of the logo. Use the up (▲) or down (▼) arrow button to scroll through the menu. Figure 2–3 shows the LOGO OVERLAY submenu.

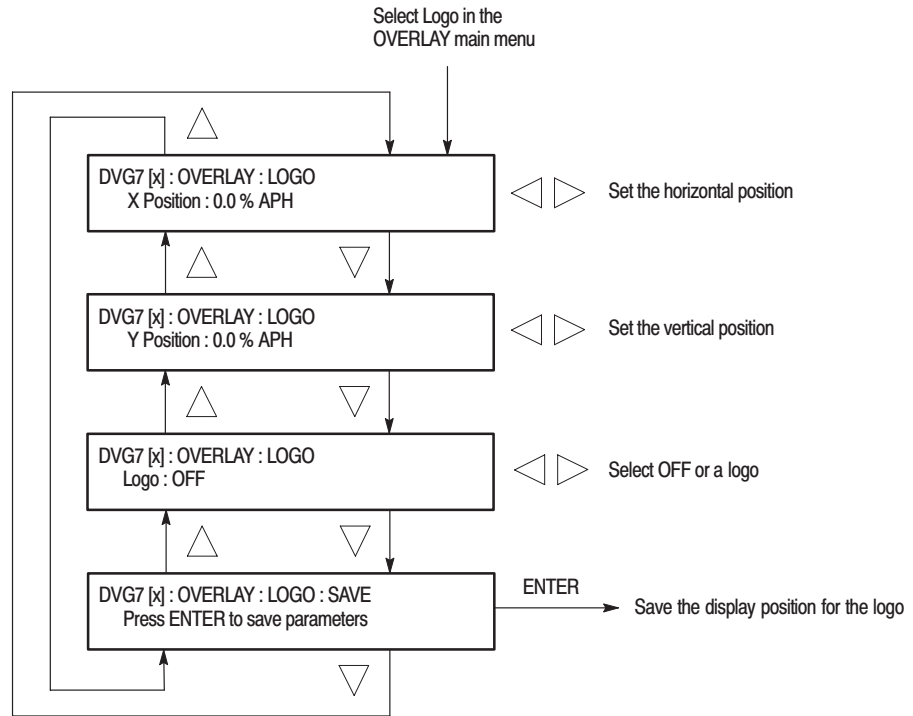


Figure 2-3: LOGO OVERLAY submenu

TEXT OVERLAY Submenu

This menu allows you to edit text overlaid on the output test signal, and to set the display position of the text. Use the up (▲) or down (▼) arrow button to scroll through the menu. Figure 2-4 shows the TEXT OVERLAY submenu.

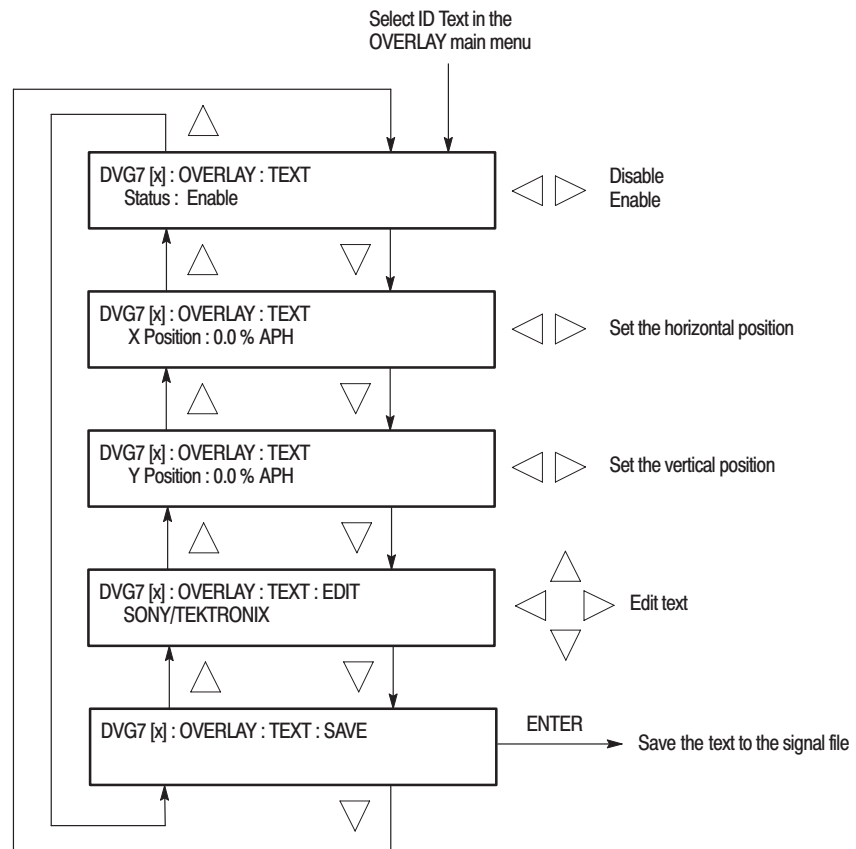


Figure 2-4: TEXT OVERLAY submenu

**CIRCLE OVERLAY
Submenu**

This menu allows you to create a circle overlaid on the output test signal and set its position on the display. Use the up (▲) or down (▼) arrow button to scroll through the menu. Figure 2–5 shows the CIRCLE OVERLAY submenu.

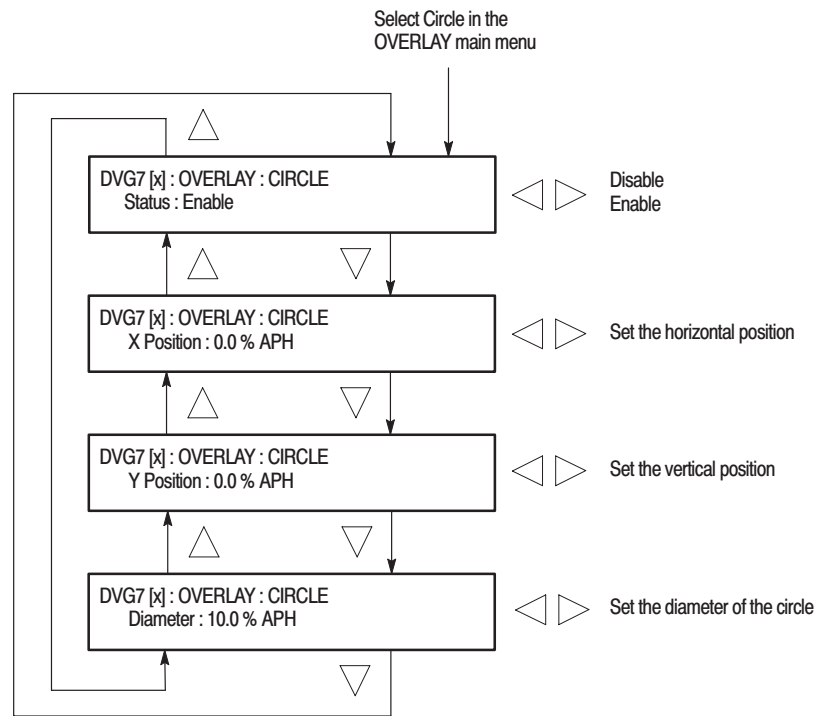


Figure 2–5: CIRCLE OVERLAY submenu

AUDIO GROUP Submenu

This menu allows you to enable or disable embedded audio of the selected audio group, select which audio channel to enable, and set the emphasis status bits, sampling alignment status bits, and sample bits of the selected audio group. Use the up (▲) or down (▼) arrow button to scroll through the menu. Figure 2–6 shows the AUDIO GROUP submenu.

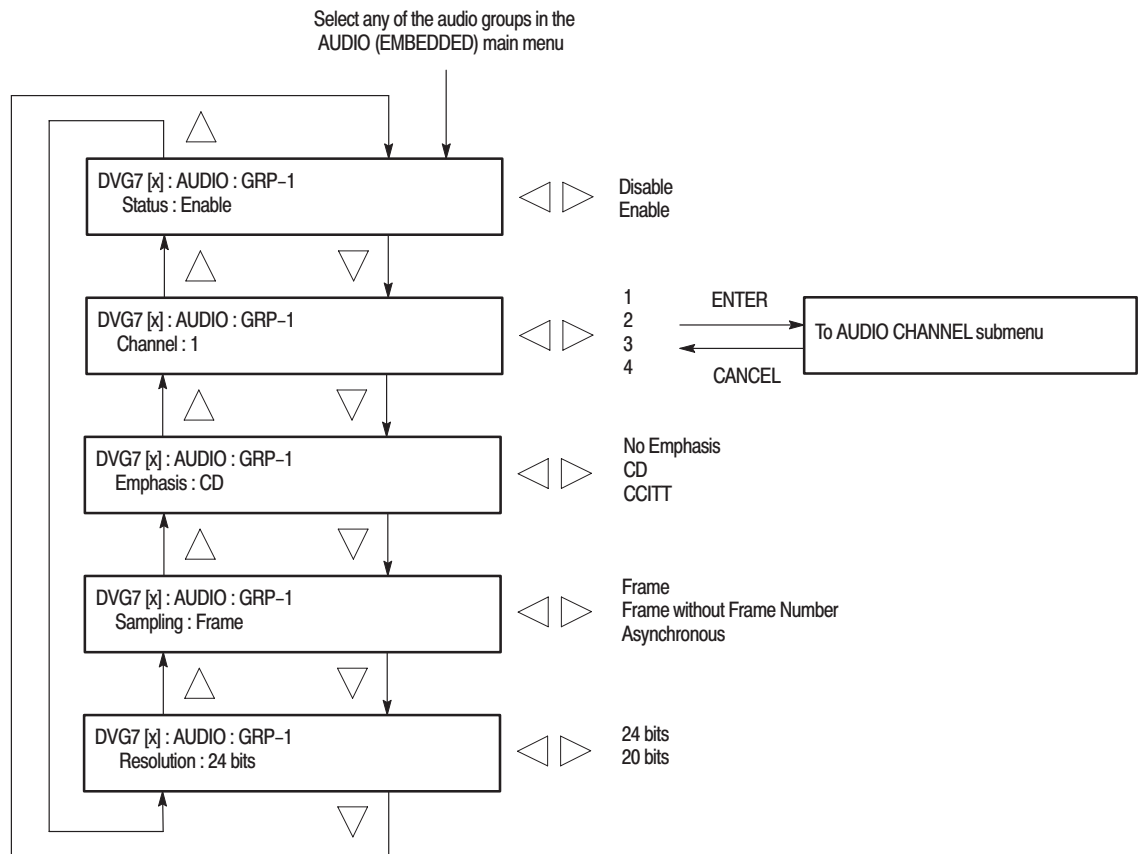


Figure 2-6: AUDIO GROUP submenu

AUDIO CHANNEL Submenu

This menu allows you to set the frequency, amplitude, and audio click of the embedded audio signal for the selected audio channel. Use the up (▲) or down (▼) arrow button to scroll through the menu. Figure 2–7 shows the AUDIO CHANNEL submenu.

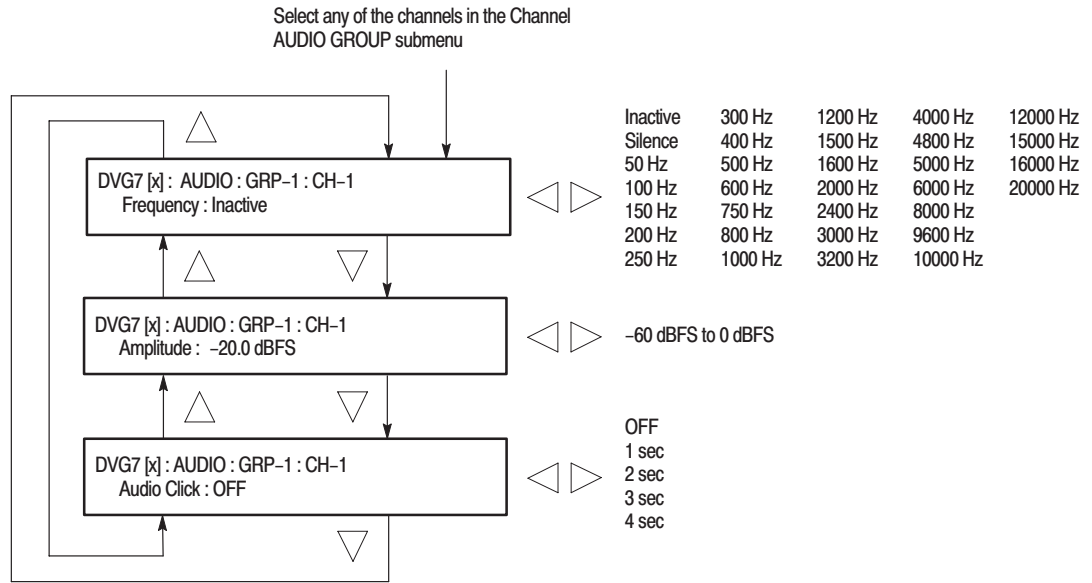


Figure 2-7: AUDIO CHANNEL submenu

TIMING Submenu

This menu allows you to adjust the timing offset of the serial digital video outputs relative to the internal reference signal (frame reset signal). Use the up (▲) or down (▼) arrow button to scroll through the menu. Figure 2–8 shows the TIMING submenu.

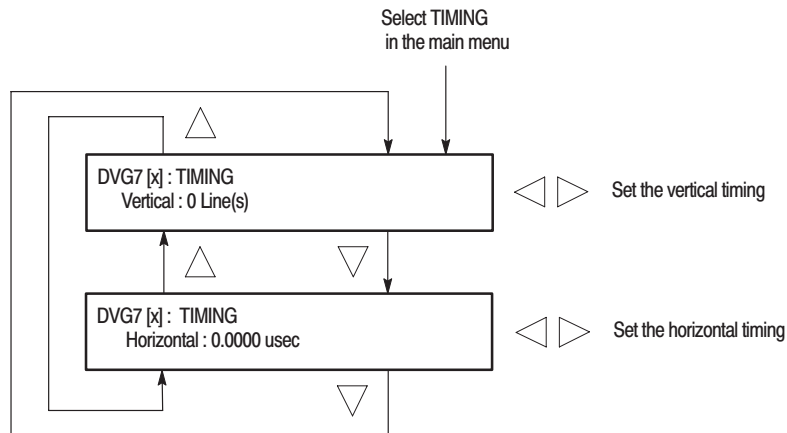


Figure 2-8: TIMING submenu

VIDEO Submenu

This menu allows you to turn the Y, Pb, or Pr component of the serial digital video signals and the insertion of the EDH (Error Detection and Handling) on or off individually. You can also set the resolution of the serial digital video signals. Use the up (▲) or down (▼) arrow button to scroll through the menu. Figure 2–9 shows the VIDEO submenu.

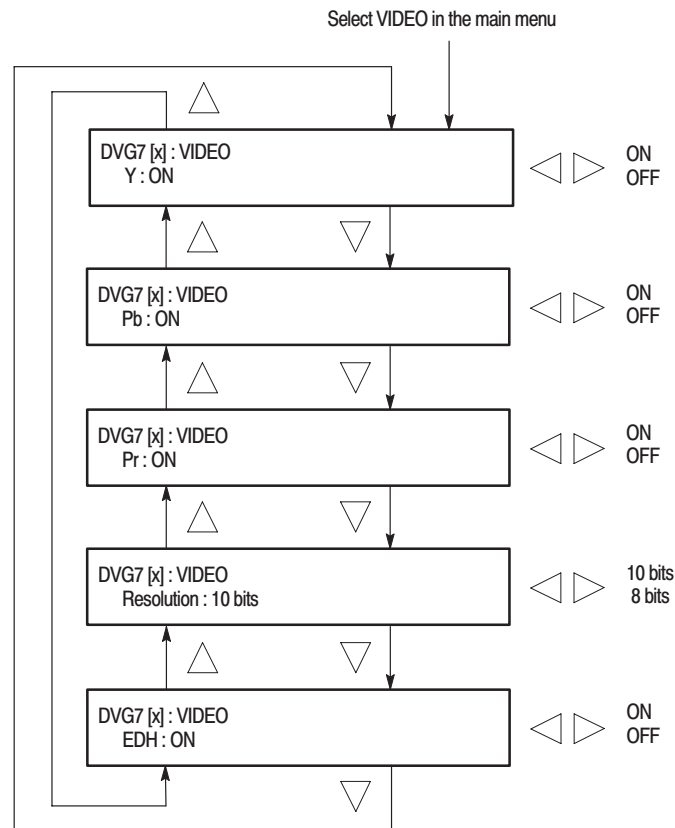


Figure 2-9: VIDEO submenu

BLACK Submenu (Option BK Only)

This menu allows you to set the output parameters of the serial digital black signals output from the **BLACK1** and **BLACK 2** connectors. Use the up (▲) or down (▼) arrow button to scroll through the menu. Figure 2–10 shows the **BLACK** submenu.

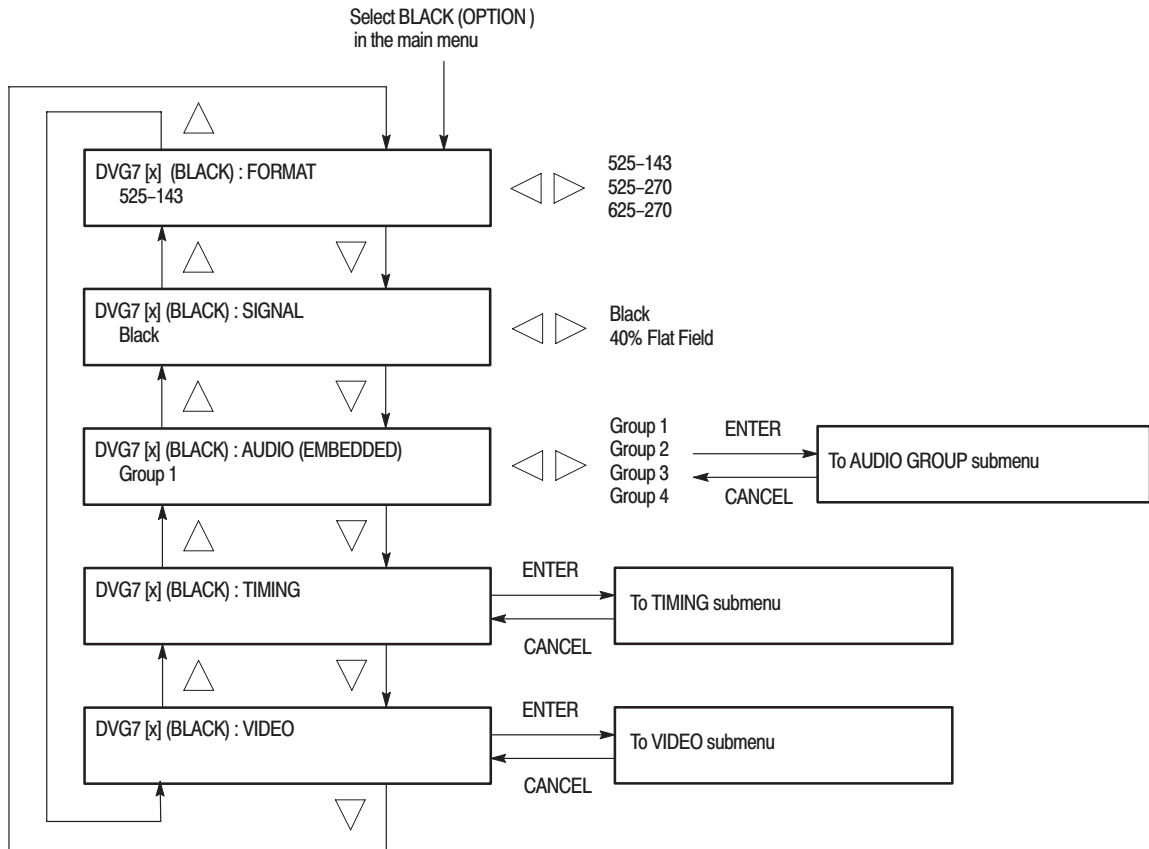


Figure 2-10: BLACK submenu (Option BK only)



Theory of Operation

Theory of Operation

This section describes the basic operation of the major circuit blocks in the DVG7 Generator module.

For information about the TG700 mainframe, refer to the *TG 700 TV Signal Generator Platform Service Manual*.

Bus Interface	This block provides the communication between the mainframe and the module circuit.
Address Generator	This block consists of a frame delay, an MPU interface, a sequencer, an SDRAM controller, and a blanking data generator. It interfaces the Frame Memory and the Line Memory and controls the output sequence of the video data in these memories.
Frame Memory	The frame memory contains a series of pointers that control the order the video lines stored in Line Memory are used to produce the serial digital signals.
Line Memory	The memory holds the actual sample points that define a serial digital signal.
Overlay Controller	This block consists of an MPU interface and an overlay controller. It inserts data from the Overlay Memory into the Line Memory data stream to create circular patterns, ID text, and logo.
Overlay Memory	The memory generates timings to multiplex the line memory data and the overlay data used for a circle, ID text, and logo overlay.
Formatter	This block consists of an audio control packet generator, a data packet generator, an MPU interface, and an SRAM controller. The formatter inserts embedded audio data in serial digital signals.
Audio Memory	The memory contains embedded audio data.
Serializer	This block converts a 10 bits parallel data to SDI signal.
Black Generator (Option BK Only)	This block generates black or gray (40% gray) signal for the BLACK 1 and BLACK 2 outputs.

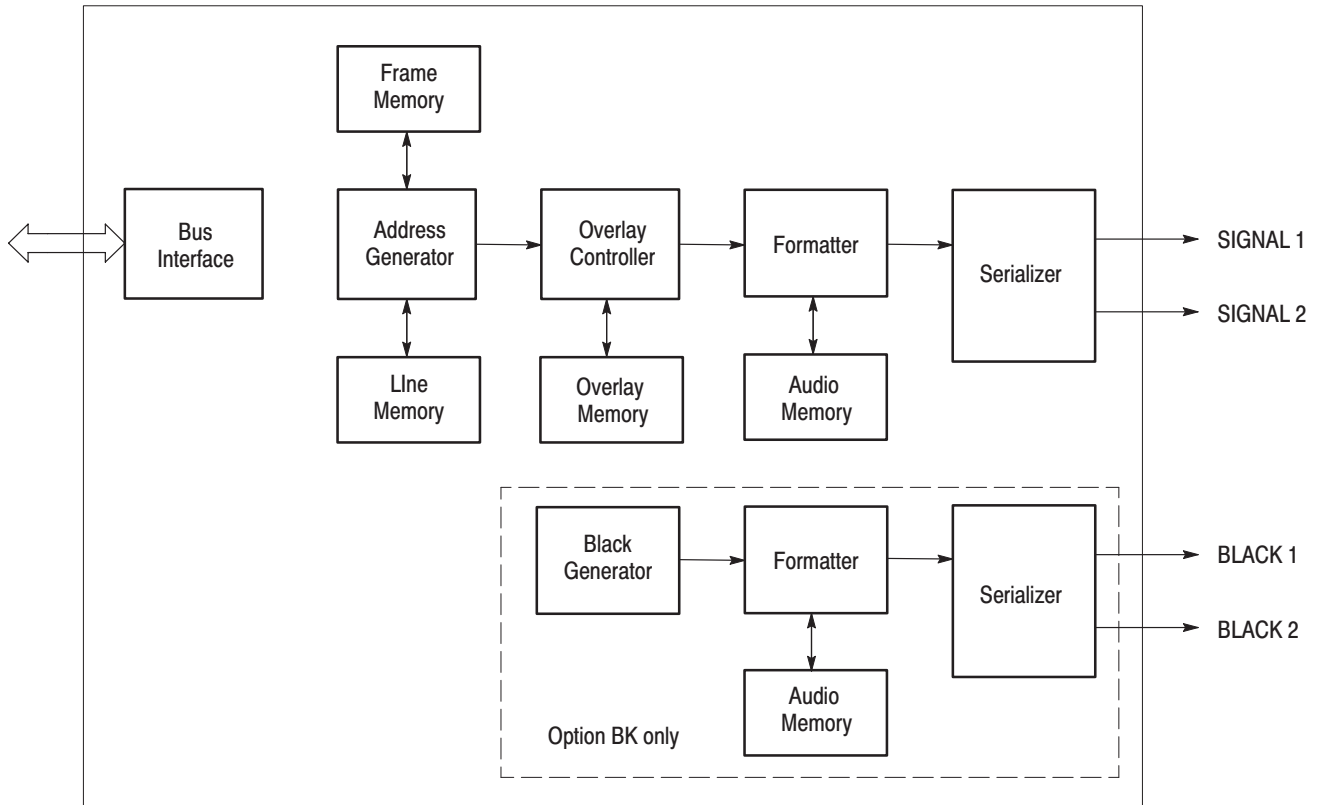


Figure 3-1: Simplified block diagram of the DVG7 Generator module



Performance Verification

Performance Verification

This section provides procedures that verify the performance and functionality of the DVG7 Generator module.

Preparation for Performance Verification

Do the following before starting the performance verification procedures:

Power On Default Settings

Before you perform the performance verification procedures, make sure that the required instrument settings are saved in the Power On Default preset.

If the instrument settings are saved in the Power On Default preset, you can recall the settings after completing the performance verification procedures by removing and re-applying the power.

Warm up

The DVG7 Generator module and test equipment must have had a warm-up period of at least 20 minutes.

Equipment Required

Table 4–1 lists the equipment required for the procedures.

Table 4–1: Equipment required for performance verification

Item	No.	Minimum requirement	Recommended equipment
Video measurement set	1		Tektronix VM700T Option 01/11/1S
75 Ω BNC cable	1	Length: 42 inches	Tektronix part no. 012-0074-00
75 Ω coax terminator	1		Tektronix part no. 011-0102-01

Calibration Data Report

Photocopy this form and use it to record the performance test results.

Table 4-2: DVG7 calibration data report

Serial Number:	Cal Date:	Temperature:	Humidity:	
Step	Function Tested	Minimum	Cal Data	Maximum
1.	Serial Output Amplitude			
	SIGNAL 1	720 mV	mV	880 mV
	SIGNAL 2	720 mV	mV	880 mV
2.	Serial Output Rise Time (20% to 80% amplitude points)			
	SIGNAL 1	0.40 ns	ns	1.50 ns
	SIGNAL 2	0.40 ns	ns	1.50 ns
3.	Serial Output Fall Time (20% to 80% amplitude points)			
	SIGNAL 1	0.40 ns	ns	1.50 ns
	SIGNAL 2	0.40 ns	ns	1.50 ns
Option BK				
4.	Serial Output Amplitude			
	BLACK 1	720 mV	mV	880 mV
	BLACK 2	720 mV	mV	880 mV
5.	Serial Output Rise Time (20% to 80% amplitude points)			
	BLACK 1	0.40 ns	ns	1.50 ns
	BLACK 2	0.40 ns	ns	1.50 ns
6.	Serial Output Fall Time (20% to 80% amplitude points)			
	BLACK 1	0.40 ns	ns	1.50 ns
	BLACK 2	0.40 ns	ns	1.50 ns

Performance Verification Procedures

Be sure you have performed the *Preparation for Performance Verification* before proceeding.



WARNING. *Dangerous electric shock hazards exist inside the TG700 mainframe. Only qualified service personnel should perform these procedures.*

Serial Digital Outputs

This test verifies that serial digital signals are output correctly from the SIGNAL 1 and SIGNAL 2 connectors. The following equipment is required for the test:

- Video measurement set
- 75 Ω BNC cable
- 75 Ω coax terminator

Perform the following procedure to verify that serial digital signals are output correctly from the SIGNAL 1 and SIGNAL 2 connectors.

1. Use the 75 Ω BNC cable to connect SIGNAL 1 connector on the DVG7 Generator module to the SDI Ch.A connector on the video measurement set rear panel as shown in Figure 4–1.
2. Use the 75 Ω coax terminator to terminate the other loop through to the SDI Ch.A connector on the video measurement set rear panel.

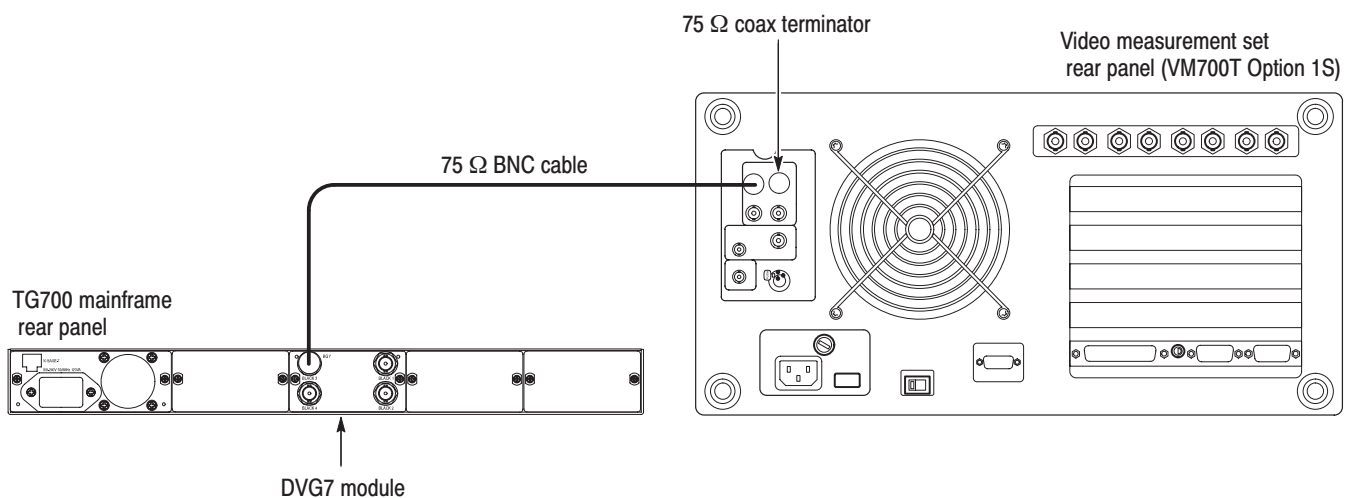


Figure 4–1: Equipment connection for verifying the serial digital outputs

3. Recall the Factory Default preset as follows:
 - a. Press the **MODULE** button to display the TG700 main menu.
 - b. Press the up (▲) or down (▼) arrow button to select **RECALL**.
 - c. Press the left (◀) or right (▶) arrow button to select **Factory Default**.
 - d. Press the **ENTER** button to recall the factory default settings.
4. Select the **75 % Color Bars** signal as follows:
 - a. Press the **MODULE** button to display the DVG7 main menu.
 - b. Press the **COLOR BAR** test signal button until the **75 % Color Bars** signal is selected.
 - c. Press the **CANCEL** button to return to the DVG7 main menu.
5. Turn on the circle overlay as follows:
 - a. Press the up (▲) or down (▼) arrow button to select **OVERLAY**, and then press the **ENTER** button.
 - b. Press the left (◀) or right (▶) arrow button to select **Circle**, and then press the **ENTER** button to access the **CIRCLE OVERLAY** submenu.
 - c. Press the left (◀) or right (▶) arrow button to select **Enable**, and then press the **ENTER** button.
6. Turn on the embedded audio for Group 1 as follows:
 - a. Press the **CANCEL** button to return the module main menu.
 - b. Press the up (▲) or down (▼) arrow button to select **AUDIO (EM-BEDDED)**.
 - c. Press the left (◀) or right (▶) arrow button to select **Group 1**, and then press the **ENTER** button to access the **AUDIO GROUP** submenu.
 - d. Press the left (◀) or right (▶) arrow button to select **Enable**, and then press the **ENTER** button.
 - e. Press the **CANCEL** button to return the module main menu.
7. Press the **Measure** button on the video measurement set to open the Measure mode display.
8. Touch the **SDI** soft key to set the measurement set to Digital mode.
9. In the Measure mode display, touch the **SDI Format Monitor** application.
10. Verify that no error messages appears on the SDI Format Monitor display.

11. Press the **Picture** button to set the video measurement set to **SDI Picture** application.
12. Verify that the correct color bar and overlay circle are displayed on the SDI Picture display.
13. Press the **Measure** button on the video measurement set to open the Measure mode display.
14. In the Measure mode display, touch the **SDI Audio Format Analyzer** application.
15. Verify that no CRC error appears on the SDI Audio Format Analyzer display.
16. Move the BNC cable from the SIGNAL 1 connector to the SIGNAL 2 connector on the DVG7 Generator module.
17. Press the **Measure** button on the video measurement set to open the Measure mode display.
18. Repeat steps 9 through 15.

Serial Digital Black Outputs (Option BK Only). This test verifies that serial digital black signals are output correctly from the BLACK1 and BLACK 2 connectors.

19. Move the BNC cable from the SIGNAL 2 connector to the BLACK 1 connector on the DVG7 Generator module.
20. Select the **40 % Flat Field** signal as follows:
 - a. Press the **CANCEL** button to return the module main menu.
 - b. Press the up (▲) or down (▼) arrow button to select **BLACK (OPTION)**.
 - c. Press the **ENTER** button to access the BLACK submenu.
 - d. Press the up (▲) or down (▼) arrow button to select **SIGNAL**.
 - e. Press the left (◀) or right (▶) arrow button to select **40 % Flat Field** and press the **ENTER** button.
21. Turn on the embedded audio for Group 1 as follows:
 - a. Press the **CANCEL** button to return the BLACK submenu.
 - b. Press the up (▲) or down (▼) arrow button to select **AUDIO (EMBEDDED)**.
 - c. Press the **ENTER** button to access the AUDIO GROUP submenu for Group 1.

- d. Press the left (◀) or right (▶) arrow button to select **Group 1**, and then press the **ENTER** button to access the AUDIO GROUP submenu.
 - e. Press the left (◀) or right (▶) arrow button to select **Enable**, and then press the **ENTER** button.
 - f. Press the **CANCEL** button to return the BLACK submenu.
22. Press the **Measure** button on the video measurement set to open the Measure mode display.
 23. Repeat steps 9 through 15.
 24. Change the BNC cable connection from BLACK 1 connector to the BLACK 2 connector on the DVG7 Generator module.
 25. Press the **Measure** button on the video measurement set to open the Measure mode display.
 26. Repeat steps 9 through 15.

Eye Pattern Check

This test verifies the signal level and rise/fall times of the SIGNAL 1 and SIGNAL 2 outputs. The following equipment is required for the test:

- Video measurement set
- 75 Ω BNC cable
- 75 Ω coax terminator

Perform the following procedure to verify the signal level and rise/fall times of the SIGNAL 1 and SIGNAL 2 outputs.

Use the equipment connection and controls from the previous test.

1. Press the **Measure** button on the video measurement set to open the Measure mode display.
2. In the Measure mode display, touch the **SDI Eye Diagram** application to open the Eye Diagram display.
3. In the Eye Diagram display, touch the **Average** soft key to set the value for Eye Persistence to **Infinity**.
4. In the Eye Diagram display, touch the **Measure** soft key to open the Measure submenu.
5. In the Measure submenu, touch the following soft keys to toggle each measurement display on: **Eye Amplitude**, **Rise\Fall Times**, and **Rise\Fall Adjusted**.
6. Verify that the eye amplitude and rise and fall times values are as follows:

Eye amplitude : 720 mV to 880 mV
Rise and fall time : 400 ps to 1500 ps

7. Change the BNC cable connection from the SIGNAL 1 connector to the SIGNAL 2 connector and change the 75 Ω terminator from the SIGNAL 2 connector to the SIGNAL 1 connector on the DVG7 Generator module.
8. Repeat step 6.

BLACK Output Eye Pattern Check (Option BK Only). This test verifies the signal level and rise/fall times of the BLACK 1 and BLACK 2 outputs.

9. Change the BNC cable connection from the SIGNAL 2 connector to the BLACK 1 connector on the DVG7 Generator module.
10. Repeat step 6.
11. Change the BNC cable connection from the BLACK 1 connector to the BLACK 2 connector on the DVG7 Generator module.
12. Repeat step 6.

This completes the *Performance Verification* procedure. If you require further assistance, contact your nearest Tektronix Service Center.



Adjustment Procedures

Adjustment Procedures

This section contains information needed to adjust the TG700.

The only adjustment in the DVG7 Generator module is for the output level.

Requirements for Adjustment

Before doing the adjustment, note the following requirements.

Personnel This procedure is only to be performed by trained service technicians.

Warm-Up Period The DVG7 Generator module requires a 20 minute warm-up time in a +20° C to +30° C environment before it is adjusted. Adjustment done before the operating temperature has stabilized may cause errors in performance.

Access When adjusting the output level, you need to remove the top cover of the TG700 mainframe. For removal and installation procedures for the top cover, refer to the *TG700 TV Signal Generator Platform Service Manual*.

Equipment Required

Table 4–1 lists the equipment required to adjust the output level.

Table 5–1: Equipment required

Item	No.	Minimum requirement	Recommended equipment
TV signal generator platform	1		Tektronix TG700
Oscilloscope	1	Bandwidth: 1 GHz or higher	Tektronix TDS784D
75 Ω BNC cable	1	Length: 42 inches	Tektronix part no. 012-0074-00
75 Ω coax terminator	1		Tektronix part no. 011-0102-01
75 Ω signal adapter	1	Bandwidth: 1 GHz Amplitude precision: –3 dB	Tektronix AMT75

Output Level Adjustment

Preparation To perform the output level adjustment, you must first remove the top cover of the TG700 mainframe. For removal and installation procedures for the top cover, refer to the *TG700 TV Signal Generator Platform Service Manual*.

After you have removed the top cover, find the variable resistors on the DVG7 circuit board. See Figure 5–1.

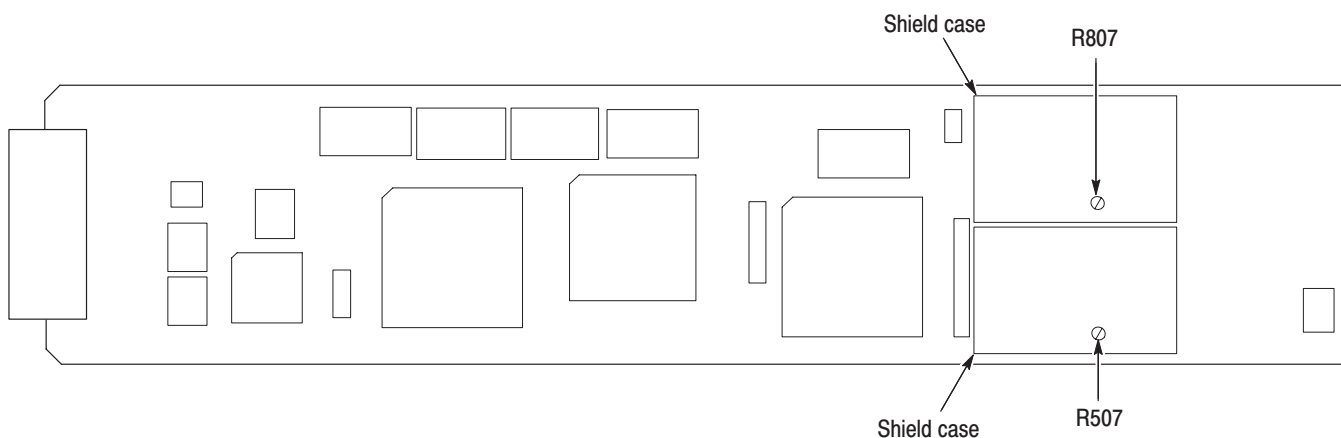


Figure 5–1: DVG7 circuit board view

Procedure



WARNING. To avoid serious injury, do not touch exposed connectors or components when operating the TG700 mainframe with the top cover removed. Dangerous potentials exist at several points within the TG700 mainframe.

1. Use the 75 Ω BNC cable and 75 Ω signal adapter to connect the SIGNAL 1 connector on the DVG7 Generator module to the CH1 input connector on the oscilloscope as shown in Figure 5–2.

NOTE. Some sampling oscilloscopes do not automatically adjust their readouts to account for the $\div 5$ attenuation of the AMT75. You must remember to account for this attenuation while viewing the oscilloscope readouts if you are using an oscilloscope of this type.

2. Use the 75 Ω coax terminator to terminate the SIGNAL 2 connector on the DVG7 Generator module.

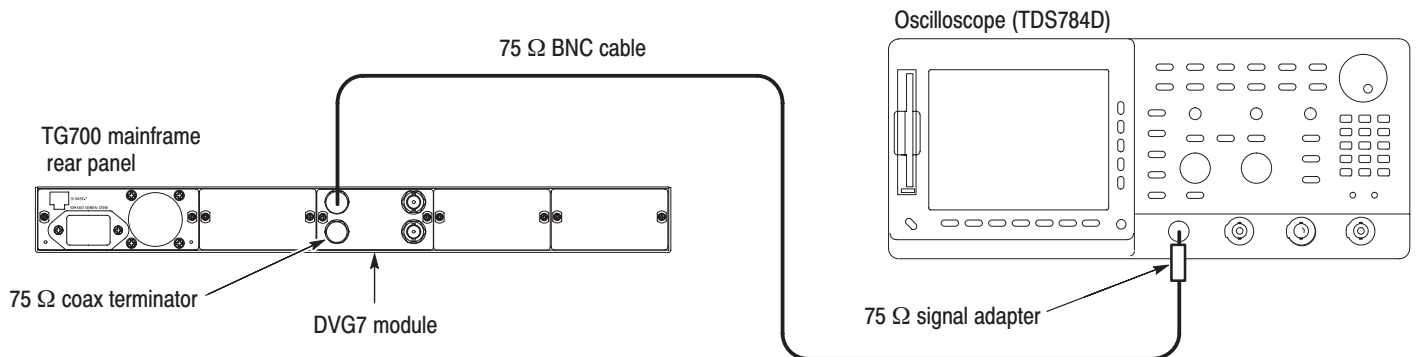


Figure 5-2: Equipment connection for adjusting the output level

3. Set the oscilloscope settings as indicated below:

Vertical	160 mV/div
Horizontal	1 ns/div
Record Length	500 points in 10 div
Trig Position	50 %
Trig Source	CH4
Trig Slope	Rising Edge
Acquire Menu	Sample
DPO (InstaVu)	Infinite Persistence

4. Recall the Factory Default preset as follows:
 - a. Press the up (▲) or down (▼) arrow button to select **RECALL**.
 - b. Press the left (◀) or right (▶) arrow button to select **Factory Default**.
 - c. Press the **ENTER** button to recall the factory default settings.
 - d. Press the **CANCEL** button to return the TG700 main menu.
5. Select the **75 % Color Bars** signal as follows:
 - a. Press the **MODULE** button to display the **DVG7** main menu.
 - b. Press the **COLOR BAR** test signal button until the **75 % Color Bars** signal is selected.
6. Turn on the “Cursor: HBars” of the sampling oscilloscope, and then set the ΔV to 800 mV.
7. Change the cursor mode to Track, and then position the cursors so that they are symmetrical about the center graticule.
8. Locate variable resistor R507 on the DVG7 circuit board. See Figure 5-1.

9. Adjust R507 so that the signal amplitude is equal to the height between the two cursors set in step 6.

BLACK Output Level Adjustment (Option BK Only).

10. Move the BNC cable from the SIGNAL 1 connector to the BLACK 1 connector and move the 75 Ω terminator from the SIGNAL 2 connector to the BLACK 2 connector on the DVG7 Generator module.
11. Select the **40 % Flat Field** signal as follows:
 - a. Press the **CANCEL** button to return the module main menu.
 - b. Press the up (**▲**) or down (**▼**) arrow button to select **BLACK (OPTION)**.
 - c. Press the **ENTER** button to access the BLACK submenu.
 - d. Press the up (**▲**) or down (**▼**) arrow button to select **SIGNAL**.
 - e. Press the left (**◀**) or right (**▶**) arrow button to select **40 % Flat Field** and press the **ENTER** button.
12. Locate variable resistor R807 on the DVG7 circuit board. See Figure 5-1.
13. Adjust R807 so that the signal amplitude is equal to the height between two cursors set in step 6.

This completes the output level adjustment procedures.



Maintenance

Maintenance

This section contains instructions and procedures for maintaining the DVG7 Generator module. For information on servicing the mainframe, refer to the *TG700 TV Signal Generator Platform Service Manual*.

The following information can be found in this section:

- Preparation page 6–1
- Inspection and Cleaning (preventive maintenance) page 6–3
- Repackaging Instructions page 6–3
- Removal and Replacement page 6–5
- Troubleshooting page 6–7

If the instrument does not function properly, troubleshooting and corrective measures should be taken immediately to prevent additional problems.

NOTE. Contact your local Tektronix representative for information on where to return your instrument if it requires repair during the warranty period.

Preparation

Please read and follow these preparation instructions before attempting to perform any maintenance or service to the instrument.

Servicing Prerequisites

Make sure of the following before beginning any instrument service:

- The maintenance or service of this instrument must be performed by qualified service personnel only.
- Read the *Service Safety Summary* located at the beginning of this manual before attempting to perform any maintenance or service to the instrument.
- Read the *Operating Information* section of this manual before attempting to perform any maintenance or service to the instrument.

Electrostatic Damage Prevention

This instrument contains electrical components that are susceptible to damage from electrostatic discharge. Static voltages of 1 kV to 30 kV are common in unprotected environments.



CAUTION. *Static discharge can damage any semiconductor component in this instrument.*

Observe the following precautions to avoid static damage:

- Minimize handling of static-sensitive components.
- Transport and store static-sensitive components or assemblies in their original containers, on a metal rail, or on conductive foam. Label any package that contains static-sensitive assemblies or components.
- Discharge the static voltage from your body by wearing a wrist strap while handling these components. Servicing static-sensitive assemblies or components should only be performed at a static-free workstation by qualified personnel.
- Nothing capable of generating or holding a static charge should be allowed on the workstation surface.
- Keep the component leads shorted together whenever possible.
- Pick up components by the body, never by the leads.
- Do not slide the components over any surface.
- Avoid handling components in areas that have a floor or work surface covering capable of generating a static charge.
- Use a soldering iron that is connected to earth ground.
- Use only special antistatic, suction-type or wick-type desoldering tools.

NOTE. *A 2% RMA flux content solder is recommended for making repairs in this instrument. Cleaning of rosin residue is not recommended. Most cleaning solvents tend to reactivate the rosin and spread it under components where it may cause corrosion under humid conditions. The rosin residue, if left alone, does not exhibit these corrosive properties.*

Inspection and Cleaning

Preventive maintenance consists of cleaning, visual inspection, performance checking, and, if needed, readjustment. The preventive maintenance schedule established for the instrument should be based on the environment in which it is operated and the amount of use. Under average conditions, scheduled preventive maintenance should be performed every 2000 hours of operation.

General Care

Protect the module from adverse weather conditions. The module is not waterproof.



CAUTION. To avoid damage to this module, do not expose it to sprays, liquids, or solvents. Do not flex the circuit board if you remove the board from its mounting shield. The circuit board can be damaged by flexing. The shield provides necessary structural support to the circuit board.

Inspecting and Cleaning Procedures

Clean the mainframe and modules often enough to prevent dust or dirt from accumulating. Refer to *Inspecting and Cleaning Procedures* in the *TG700 TV Signal Generator Platform Service Manual*.

Performance Verification

Check module performance after each 2000 hours of operation or every 12 months. This will help to ensure maximum performance and assist in locating defects that may not be apparent during regular operation. Performance verification procedures are included in this manual.

Repackaging Instructions

Use the following instructions to prepare your instrument for shipment to a Tektronix, Inc., Service Center:

1. Attach a tag to the instrument showing: the owner, complete address and phone number of someone at your firm who can be contacted, the instrument serial number, and a description of the required service.
2. Package the instrument in the original packaging materials. If the original packaging materials are not available, follow these directions:
 - a. Obtain a carton of corrugated cardboard having inside dimensions six or more inches greater than the dimensions of the instrument. Use a shipping carton that has a test strength of at least 250 pounds (113.5 kg).
 - b. Surround the module with a protective (anti-static) bag.

Removal and Replacement

This section contains the instructions on how you can remove and replace the customer replaceable parts of the DVG7 Generator module.

Tools Required

The following tools are required to perform the removal and replacement procedures:

Table 6-1: Required tools

Name	Description	Tektronix part number
Screwdriver handle	Accepts Phillips-driver bits	
#1 Phillips tip	Phillips-driver bit for #1 size screw heads	
#2 Phillips tip	Phillips-driver bit for #2 size screw heads	
Nut driver, 14 mm	Special nut driver for removing the BNC connectors of the DVG7 module	030-A041-00

Replacing the Rear Panel Connectors and Chassis

It is usually not necessary to replace the rear panel connectors and chassis. However, if a connector or chassis becomes damaged, you can replace them.

Replacing the Rear Panel Connectors

Perform the following procedure to replace the rear panel connector:

1. Use the *Module Installation* section in the *TG700 TV Signal Generator Platform Service Manual* to remove the DVG7 Generator module from the mainframe.
2. Disconnect the cables at P500 (SIGNAL 1) and P502 (SIGNAL 2) on the DVG7 circuit board. If Option BK is installed, also disconnect the cables at J800 (BLACK 1) and J802 (BLACK 2).
3. Use the 14 mm nut driver to remove the nut securing the damaged connector to the chassis. Pull the connector away.
4. Perform steps 2 and 3 in reverse order to replace the connector.

Replacing the chassis

Perform the following procedure to replace the chassis:

- 1.** Use the 14 mm nut driver to remove the nuts from each of the rear panel connectors.
- 2.** Use a screwdriver with a size #2 Phillips tip to remove the six screws securing the DVG7 circuit board to the chassis.
- 3.** Lift the circuit board up and away from chassis, and then place it on a static free surface.
- 4.** If Option BK is installed, skip this step:
 - a.** Use a screwdriver with a size #2 Phillips tip to remove the two screws securing the rear panel to the chassis.
- 5.** Set the replacement chassis on a firm, flat, static-free work surface.
- 6.** If Option BK is installed, skip this step:
 - a.** Use a screwdriver with a size #2 Phillips tip to install the two screws securing the rear panel to the chassis.
- 7.** Use a screwdriver with a size #2 Phillips tip to install the six screws securing the circuit board to the chassis.

Troubleshooting

This section contains instructions and procedures for troubleshooting the DVG7 Generator module. These procedures will help you decide whether it is necessary to replace your module.

If the TG700 mainframe does not boot up or if the display is not working, refer to *Troubleshooting* in the *TG700 TV Signal Generator Platform Service Manual*.

Equipment Required

The equipment listed in Table 6–2 is required for troubleshooting.

Table 6–2: Equipment required for troubleshooting

Equipment description	Minimum requirements/example
Screwdriver handle	Accept Phillips-driver bits
#1 Phillips tip	Phillips-driver bit for #1 size screw heads
TG700 mainframe	A TG700 mainframe that is functioning correctly.

Backing up the instrument settings

Before you begin the troubleshooting procedures, create a preset to save your instrument settings as follows:

1. Press the **MODULE** button until the mainframe main menu (TG700: PRESET) appears.
2. Press the **ENTER** button to access the PRESET submenu.
3. Press the up (▲) or down (▼) arrow button to select **SAVE**.
4. Press the left (◀) or right (▶) arrow button to select a preset number to save instrument settings.
5. Press the **ENTER** button to save the current instrument settings to the new preset.

After the problem is solved, recall the preset you created.

Troubleshooting Trees

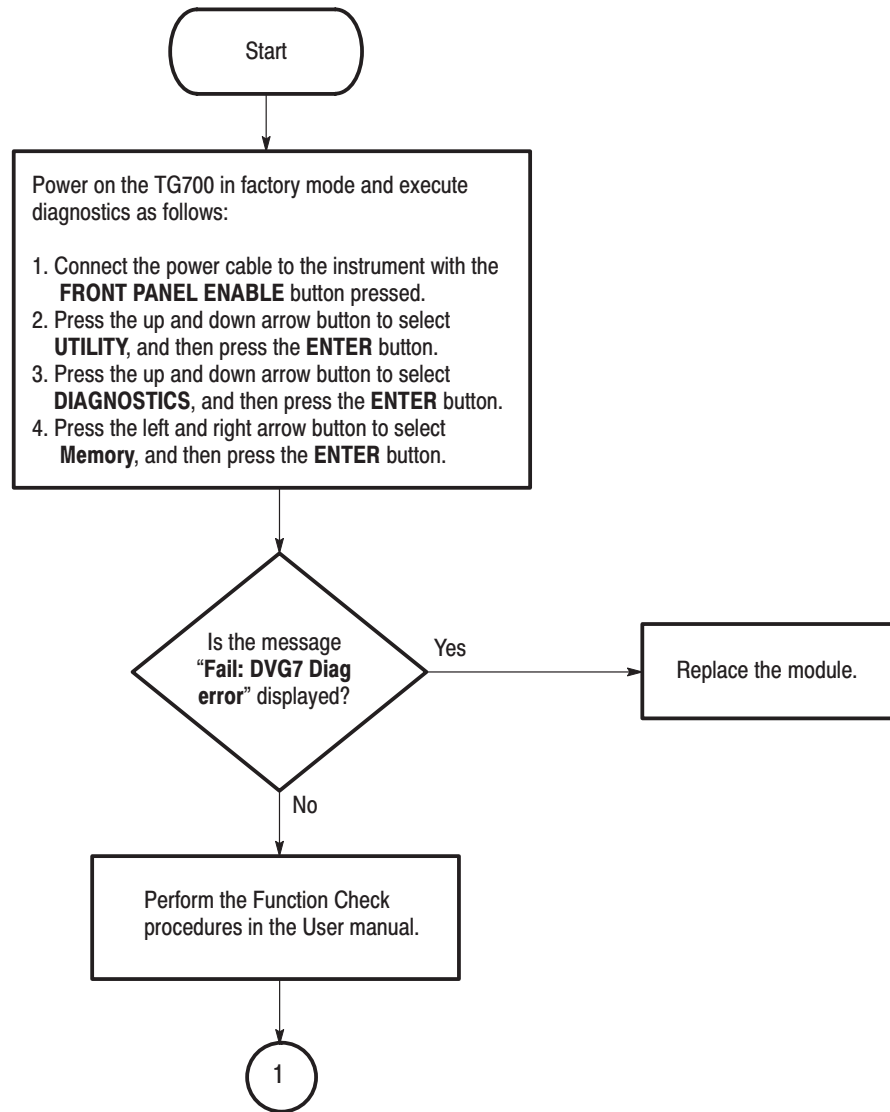


Figure 6-1: Troubleshooting procedure (1)

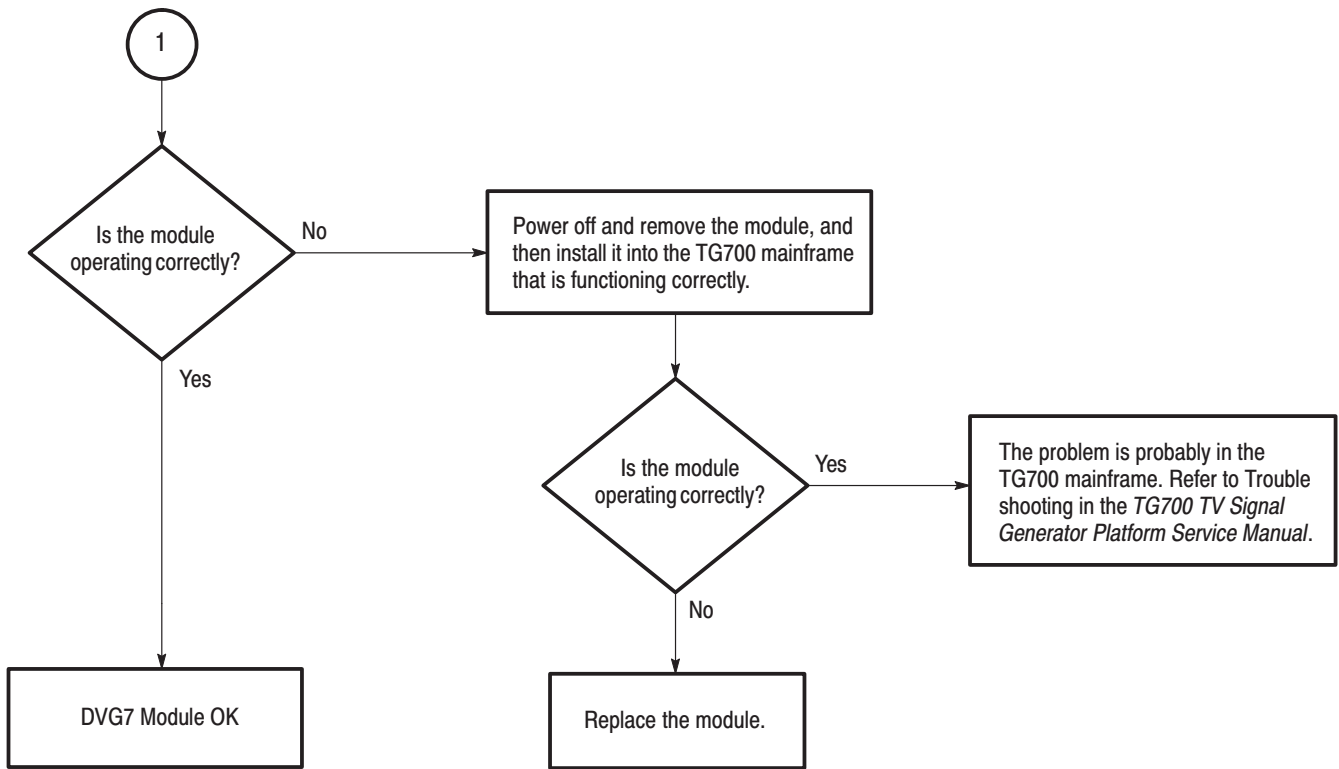


Figure 6-2: Troubleshooting procedure (2)



Options

Options

This section describes options that are available for the DVG7 Generator module.

The following options are available:

- Option BK (Serial digital black output)
- Option D1 (Test data report)

Option BK Description

Two serial digital black signal outputs are added to the DVG7 Generator module when this option is specified.

Option D1 Description

A calibration data test result report will be provided with the DVG7 Generator module when this option is specified.



Replaceable Electrical Parts



Replaceable Electrical Parts

The module-level replaceable electrical parts are included in the *Replaceable Mechanical Parts* list. Since component-level repair is not supported, individual electrical components are not listed.



Diagram

Diagram

Figure 9-1 shows the DVG7 Generator module and how it interconnects with the TG700 TV Signal Generator Platform.

Diagrams showing mainframe component interconnections, such as power supply and oscillator, can be found in the *TG700 TV Signal Generator Platform Service Manual*.

A block diagram of the DVG7 Generator module is located in the *Theory of Operation* section, beginning on Page 3-1.

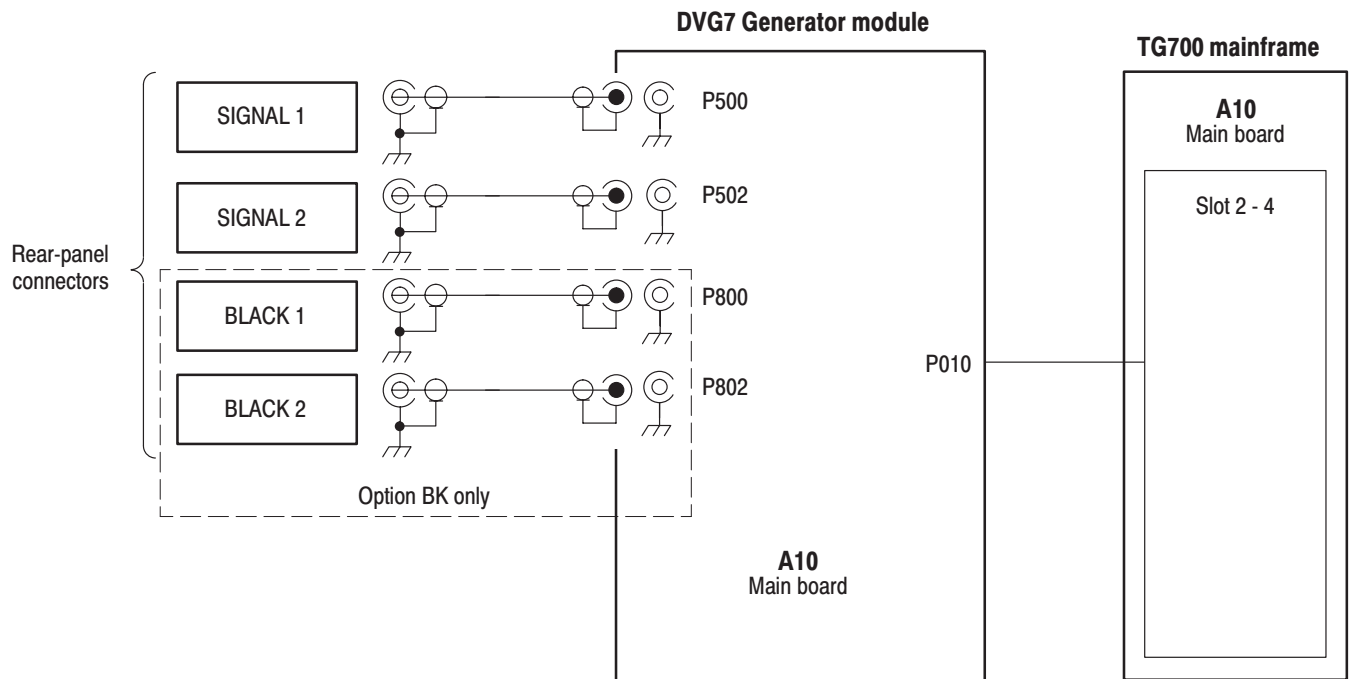


Figure 9-1: DVG7 Generator module connections



Mechanical Parts List

Mechanical Parts List

This section contains a list of the replaceable modules for the DVG7 Generator module. Use this list to identify and order replacement parts.

Parts Ordering Information

Replacement parts are available through your local Tektronix field office or representative.

Changes to Tektronix products are sometimes made to accommodate improved components as they become available and to give you the benefit of the latest improvements. Therefore, when ordering parts, it is important to include the following information in your order.

- Part number
- Instrument type or model number
- Instrument serial number
- Instrument modification number, if applicable

If you order a part that has been replaced with a different or improved part, your local Tektronix field office or representative will contact you concerning any change in part number.

Module Servicing

Modules can be serviced by selecting one of the following three options. Contact your local Tektronix service center or representative for repair assistance.

Module Exchange. In some cases you may exchange your module for a remanufactured module. These modules cost significantly less than new modules and meet the same factory specifications. For more information about the module exchange program, call 1-800-833-9200. Outside North America, contact a Tektronix sales office or distributor; see the Tektronix web site for a list of offices: www.tektronix.com

Module Repair and Return. You may ship your module to us for repair, after which we will return it to you.

New Modules. You may purchase replacement modules the same way as other replacement parts.

Using the Replaceable Parts List

This section contains a list of the mechanical and/or electrical components that are replaceable for the DVG7 Generator module. Use this list to identify and order replacement parts. The following table describes each column in the parts list.

Parts list column descriptions

Column	Column name	Description
1	Figure & Index Number	Items in this section are referenced by figure and index numbers to the exploded view illustrations that follow.
2	Tektronix Part Number	Use this part number when ordering replacement parts from Tektronix.
3 and 4	Serial Number	Column three indicates the serial number at which the part was first effective. Column four indicates the serial number at which the part was discontinued. No entries indicates the part is good for all serial numbers.
5	Qty	This indicates the quantity of parts used.
6	Name & Description	An item name is separated from the description by a colon (:). Because of space limitations, an item name may sometimes appear as incomplete. Use the U.S. Federal Catalog handbook H6-1 for further item name identification.
7	Mfr. Code	This indicates the code of the actual manufacturer of the part.
8	Mfr. Part Number	This indicates the actual manufacturer's or vendor's part number.

Abbreviations Abbreviations conform to American National Standard ANSI Y1.1-1972.

Mfr. Code to Manufacturer Cross Index The table titled Manufacturers Cross Index shows codes, names, and addresses of manufacturers or vendors of components listed in the parts list.

Manufacturers cross index

Mfr. code	Manufacturer	Address	City, state, zip code
S3109	FELLER	72 VERONICA AVE UNIT 4	SUMMERSET NJ 08873
TK0191	SONY/TEKTRONIX	PO BOX 5209 TOKYO INTERNATIONAL	TOKYO JAPAN 100-31
TK2432	UNION ELECTRIC	15/F #1, FU-SHING N. ROAD	TAIPEI, TAIWAN ROC
2W733	BELDEN CORPORATION	2200 US HIGHWAY 27 SOUTH PO BOX 1980	RICHMOND IN 47375-0010
80009	TEKTRONIX INC	14150 SW KARL BRAUN DR PO BOX 500	BEAVERTON, OR 97077-0001

Replaceable parts list

Fig. & index number	Tektronix part number	Serial no. effective	Serial no. discont'd	Qty	Name & description	Mfr. code	Mfr. part number
10-1	116-A005-00			1	EXCHANGE MODULE:DVG7	80009	
	116-A006-00			1	EXCHANGE MODULE:DVG7-BK	80009	
10-1-1	441-A273-00			1	CHASSIS,MODULE DVG7:ASSY	80009	
-2	333-A407-00			1	PANEL,REAR:DVG7,AL	80009	
	333-A408-00			1	PANEL,REAR:DVG7 OPTION,AL	80009	
-3	214-4946-00			2	SPRING,CONICAL:VXI MOUNTING SCREW,0.26MM	80009	
-4	213-1129-00			2	SCREW,MACHINE:M2.5X11MM L,PAN HD,STL,NI PL,CROSS REC & SLOTTED [322401-05]	80009	
-5	348-A128-00			2.5 CM	SHLD GASKET,ELEK:FINGER TYPE,5.1MM LX6.4MM W,BE-CU [97-645-02]	80009	
-6	174-B846-00			2	CABLE ASSY,RF:75OHM,COAX(RG179),6CM L,BNC TO PL71-LP-1.5C	80009	
	174-B846-00			4	CABLE ASSY,RF:75OHM,COAX(RG179),6CM L,BNC TO PL71-LP-1.5C (OPTION BK)	80009	
-7	211-A245-00			8	SCREW,MACHINE:M3X6MM L,PNH,STL,NI PL,CROSS REC,W/KOGATAMARU & LOCK WASHER	80009	
	211-A245-00			6	SCREW,MACHINE:M3X6MM L,PNH,STL,NI PL,CROSS REC,W/KOGATAMARU & LOCK WASHER (OPTION BK)	80009	
-8	334-1378-03			1	MARKER,IDENT:MKD SERIAL NO. FOR SONY/TEK	80009	
					OPTIONAL ACCESSORIES		
	070-A800-XX			1	MANUAL,TECH:SERVICE,TG700	TK0191	
	003-A041-00			1	NUT DRIVER,BOX:14MM HEX,BNC RETAINING NUT,MODIFIED 19MM	TK0191	

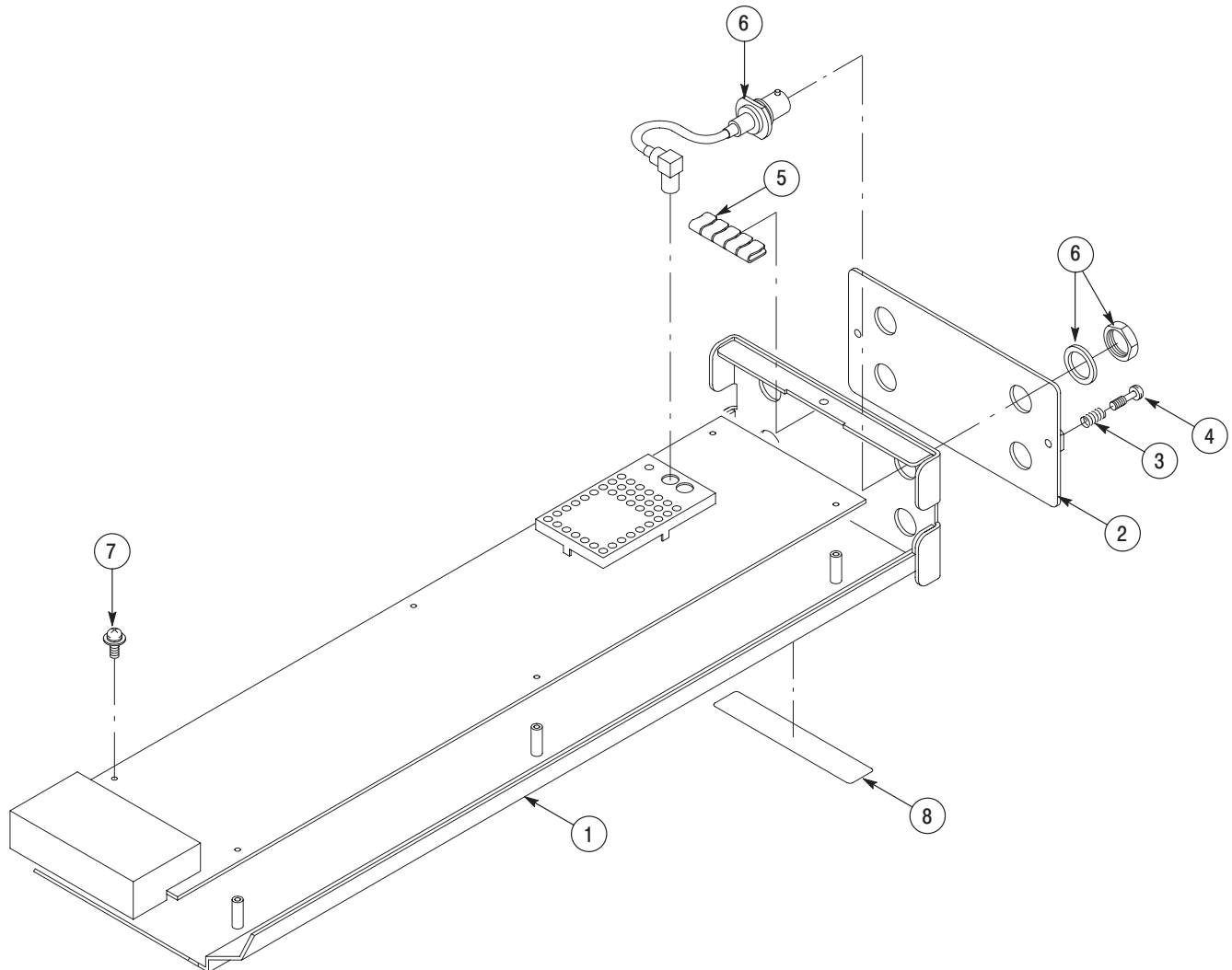


Figure 10-1: DVG7 Generator module exploded view

Service Manual



HDVG7

HDTV Digital Video Generator

Copyright © Tektronix, Inc. All rights reserved.

Copyright © Sony/Tektronix Corporation. All rights reserved.

Printed in Japan.

Sony/Tektronix Corporation, 5-9-31 Kitashinagawa, Shinagawa-ku, Tokyo 141-0001 Japan

Tektronix, Inc., P.O. Box 500, Beaverton, OR 97077

TEKTRONIX and TEK are registered trademarks of Tektronix, Inc.

Table of Contents

Preface	v
Manual Structure	v
Related Manuals	vi
Contacting Tektronix	vi

Specifications

Specifications	1-1
Product Description	1-1
Electrical Characteristics	1-2
Environmental Characteristics	1-3

Operating Information

Operating Instructions	2-1
Operation Procedure	2-1
Selecting an Output Signal	2-2
HDVG7 Module Main Menu	2-3

Theory of Operation

Theory of Operation	3-1
----------------------------------	------------

Performance Verification

Performance Verification	4-1
Preparation for Performance Verification	4-1
Equipment Required	4-1
Calibration Data Report	4-2
Performance Verification Procedures	4-3

Adjustment Procedures

Adjustment Procedures	5-1
Requirements for Adjustment	5-1
Equipment Required	5-1
Output Level Adjustment	5-2

Maintenance

Maintenance	6-1
Preparation	6-1
Inspection and Cleaning	6-3
Repackaging Instructions	6-3
Removal and Replacement	6-5
Tools Required	6-5
Replacing the Rear Panel Connectors, Chassis, and Fan	6-5
Troubleshooting	6-7
Equipment Required	6-7
Backing up the instrument settings	6-7
Troubleshooting Trees	6-8

Options

Options	7-1
Option BK Description	7-1
Option D1 Description	7-1

Replaceable Electrical Parts

Replaceable Electrical Parts	8-1
---	------------

Diagram

Diagram	9-1
----------------------	------------

Mechanical Parts List

Mechanical Parts List	10-1
Parts Ordering Information	10-1
Using the Replaceable Parts List	10-2

List of Figures

Figure 2–6: HDVG7 module main menu	2–3
Figure 2–7: MOVING PICTURE submenu	2–4
Figure 2–8: LOGO OVERLAY submenu	2–5
Figure 2–9: TEXT OVERLAY submenu	2–6
Figure 2–10: CIRCLE OVERLAY submenu	2–7
Figure 2–11: AUDIO GROUP submenu	2–8
Figure 2–12: AUDIO CHANNEL submenu	2–9
Figure 2–13: TIMING submenu	2–9
Figure 2–14: VIDEO submenu	2–10
Figure 2–15: BLACK submenu (Option BK only)	2–11
Figure 3–1: Simplified block diagram of the HDVG7 Generator module	3–2
Figure 4–1: Equipment connections for verifying the serial digital outputs	4–4
Figure 4–2: Equipment connection for verifying the output level and eye pattern	4–8
Figure 4–3: Example of eye pattern for an acceptable output signal .	4–9
Figure 5–1: HDVG7 circuit board view	5–2
Figure 5–2: Equipment connection for adjusting the output level ...	5–3
Figure 6–1: Troubleshooting procedure (1)	6–8
Figure 6–2: Troubleshooting procedure (2)	6–9
Figure 9–1: HDVG7 Generator module connections	9–1
Figure 10–1: HDVG7 Generator module exploded view	10–4

List of Tables

Table 1–1: Serial digital video signal outputs	1–2
Table 1–2: Serial digital black signal outputs (Option BK only) ...	1–2
Table 1–3: Embedded audio	1–3
Table 1–4: Environmental characteristics	1–3
Table 4–1: Equipment required for Performance Verification	4–1
Table 4–2: HDVG7 Calibration Data Report	4–2
Table 5–1: Equipment required	5–1
Table 6–1: Required tools	6–5
Table 6–2: Equipment required for troubleshooting	6–7

Preface

This is the service manual for the HDVG7 HDTV Digital Video Generator module. This manual contains information needed to service an HDVG7 Generator module to the module level.

Manual Structure

This manual is divided into sections, such as the *Specifications* and *Theory of Operation*. Further, some sections are divided into subsections, such as *Product Description* and *Removal and Installation Procedures*.

Sections containing procedures also contain introductions to those procedures. Be sure to read these introductions because they provide information needed to do the service correctly and efficiently. The following are a brief descriptions of each manual section.

- *Specifications* contains a description of the HDVG7 Generator module and the characteristics that apply to it.
- *Operating Information* provides basic operating information.
- *Theory of Operation* is an overview of the module's design.
- *Performance Verification* contains procedures to perform the operation tests.
- *Adjustment Procedures* contains procedures for adjusting an HDVG7 Generator module to meet warranted characteristics.
- *Maintenance* contains installation, removal and replacement, and troubleshooting instructions.
- *Options* contains a description of available options for the HDVG7 Generator module.
- *Replaceable Electrical Parts* for the module level are included in the Replaceable Mechanical Parts list.
- *Diagram* contains interconnect diagram showing the connections between the HDVG7 Generator module and the mainframe.
- *Replaceable Mechanical Parts* lists the part numbers for replacement parts that you can order. Exploded view illustrations help you to identify the parts.

Related Manual

The following document is related to the HDVG7 Generator module.

- The *TG700 TV Signal Generator Platform User Manual* (Tektronix part number 070-A799-XX) describes how to use the TG700 mainframe and all modules. It also contains information about remote commands and programming structure for the TG700 mainframe and all modules.

Contacting Tektronix

Phone	1-800-833-9200*
Address	Tektronix, Inc. Department or name (if known) 14200 SW Karl Braun Drive P.O. Box 500 Beaverton, OR 97077 USA
Web site	www.tektronix.com
Sales support	1-800-833-9200, select option 1*
Service support	1-800-833-9200, select option 2*
Technical support	Email: techsupport@tektronix.com 1-800-833-9200, select option 3* 1-503-627-2400 6:00 a.m. – 5:00 p.m. Pacific time

* **This phone number is toll free in North America. After office hours, please leave a voice mail message. Outside North America, contact a Tektronix sales office or distributor; see the Tektronix web site for a list of offices.**



Specifications

Specifications

This section contains a general product description of the HDVG7 Generator module followed by the operating specifications of the modules.

Product Description

The HDVG7 Generator module is designed to be installed in the TG700 TV Signal Generator Platform.

The module is an HDTV test signal generator that provides 1.485 Gb/s serial digital video signals in various formats. The module contains the following features:

- Two serial digital video outputs
- Two serial digital black outputs (option BK)
- Supports SMPTE 274M (1080), SMPTE 240M (1035), and SMPTE 296M (720)
- Overlay of circle, text, or logo on the video signal
- A moving picture generated by scrolling the active picture area of the output test signal
- Up to 16 channels of Embedded Audio
- Full remote control using Ethernet interface

The module can generate video signals with 24 (or 20) bit embedded digital audio with a sample rate of 48 kHz.

The following audio frequencies are supported:

Silence	500 Hz	2000 Hz	8000 Hz
50 Hz	600 Hz	2400 Hz	9600 Hz
100 Hz	750 Hz	3000 Hz	10000 Hz
150 Hz	800 Hz	3200 Hz	12000 Hz
200 Hz	1000 Hz	4000 Hz	15000 Hz
250 Hz	1200 Hz	4800 Hz	16000 Hz
300 Hz	1500 Hz	5000 Hz	20000 Hz
400 Hz	1600 Hz	6000 Hz	

Electrical Characteristics

Tables 1–1 through 1–3 list the electrical characteristics of the HDVG7 Generator module.

Table 1–1: Serial digital video signal outputs

Characteristic	Performance requirements	Reference information
Connector	BNC	
Number of outputs	2	SIGNAL 1 and SIGNAL 2
Bit Rate	1.485 Gbps 1.485/1.001 Gbps	
Signal amplitude, typical		800 mV
Rise and fall times, typical		≤ 270 ps, 20 % to 80 %
Jitter, typical		≤ 135 ps alignment jitter
Return loss	≥ 15 dB ≥ 10 dB	5 MHz to 750 MHz 750 MHz to 1.485 GHz

Table 1–2: Serial digital black signal outputs (Option BK only)

Characteristic	Performance requirements	Reference information
Connector	BNC	
Number of outputs	2	BLACK 1 and BLACK 2
Bit Rate	1.485 Gbps 1.485/1.001 Gbps	
Signal amplitude, typical		800 mV
Rise and fall times, typical		≤ 270 ps, 20 % to 80 %
Jitter, typical		≤ 135 ps alignment jitter
Return loss	≥ 15 dB ≥ 10 dB	5 MHz to 750 MHz 750 MHz to 1.485 GHz

Table 1-3: Embedded audio

Characteristic	Performance requirements	Reference information
Number of channels	16 channels in 4 groups; 8 AES/EBU audio pairs	
Audio tones		
Frequency	Silence to 20 kHz; 31 discrete settings	
Level	-60 to 0 dBFS in 1 dB steps	
Pre-emphasis		Emphasis status bits can be inserted.

Environmental Characteristics

Table 1-4 lists the environmental characteristics of the HDVG7 Generator module.

Table 1-4: Environmental characteristics

Characteristic	Description
Temperature	
Operating	0° C to +50° C
Non-operating	-20° C to +60° C
Relative Humidity	
Operating	20% to 80% (No condensation) ; Maximum wet-bulb temperature 29.4° C
Non-operating	5% to 90% (No condensation) ; Maximum wet-bulb temperature 40.0° C
Altitude	
Operating	To 4.5 km (15,000 feet) Maximum operating temperature decreases 1° C each 300 m above 1.5 km.
Non-operating	To 15 km (50,000 feet)
Vibration	
Operating	3.04 m/s ² (0.31 G _{rms}), 5 to 500 Hz, 10 min, three axes
Non-operating	23.3 m/s ² (2.38 G _{rms}), 5 Hz to 500 Hz, 10 min, three axes
Shock	
Non-operating	294 m/s ² (30 G), half-sine, 11 ms duration



Operating Information

Operating Instructions

Before servicing the HDVG7 Generator module, read the following operating instructions. These instructions are at a level appropriate for servicing the HDVG7 Generator module. The user manual contains complete operator instructions.

This section provides the following information:

- Operating Procedure
- Selecting an Output Signal
- HDVG7 Module Main Menu

Operating Procedure


After the module is installed in the mainframe, and the mainframe is installed in the rack or other location where it will be used, access each function of the module with the following procedure:

1. Connect the power connector on the rear panel to the AC electric power source using the power cord. Electric power is supplied to the mainframe.
2. Wait until the mainframe and installed modules completely initialize. Check that no error messages appear on the display.
3. The top menu item of the mainframe main menu shown below appears on the display after initializing completely.



TG700 : PRESET

4. Press the front-panel **MODULE** button until the HDVG7 generator module main menu appears, as shown below.



HDVG7 [x] : STATUS : 1080 59.94i
100% Color Bars

5. Select the signal format and the signal you want to output. Refer to *Selecting an Output Signal* on page 2-2 for more information.

6. Press the front-panel arrow buttons to select the desired main menu item or submenu.

Refer to *HDVG7 Module Main Menu* beginning on page 2–3 for detailed information about the main menu items and the submenu items.

Selecting an Output Signal

When you output a signal from the HDVG7 Generator module, you need to select a signal format and output signal. This subsection provides instructions on how to output a signal.

Selecting a Format

If you press the front-panel **FORMAT** button when the HDVG7 Generator module is selected (active), you can select the format for the output signals.


Perform the following steps to select the format:

1. Confirm that any menu item of the HDVG7 module main menu is displayed. If the menu is not displayed, press the front-panel **MODULE** button until the HDVG7 module main menu appears, as shown below.



HDVG7 [x] : STATUS : 1080 59.94i
100% Color Bars

2. Press the **FORMAT** button. The menu display changes as follows:



HDVG7 [x] : SELECT FORMAT
1080 59.94i (Current)

3. Press the left (◀) or right (▶) arrow button to select one of the signal formats, and then press the **ENTER** button to confirm the selection.

Selecting a Signal

All signal sets available in the module are already assigned to the corresponding test signal buttons. When you press any of the buttons, one of the signals in the signal set is output.

For example, when you press the **COLOR BAR** test signal button, you can output the **100% Color Bars** signal in the Color Bars signal set.

Press the left (◀) or right (▶) arrow button, or press the test signal button repeatedly to select different signals assigned to the test signal button.

HDVG7 Module Main Menu

You can set the logo, circle, and text overlay, embedded audio, timing offset of the serial digital signal outputs using the HDVG7 module main menu.

Use the up (▲) or down (▼) arrow button to scroll through the main menu. Figure 2-1 shows the HDVG7 module main menu.

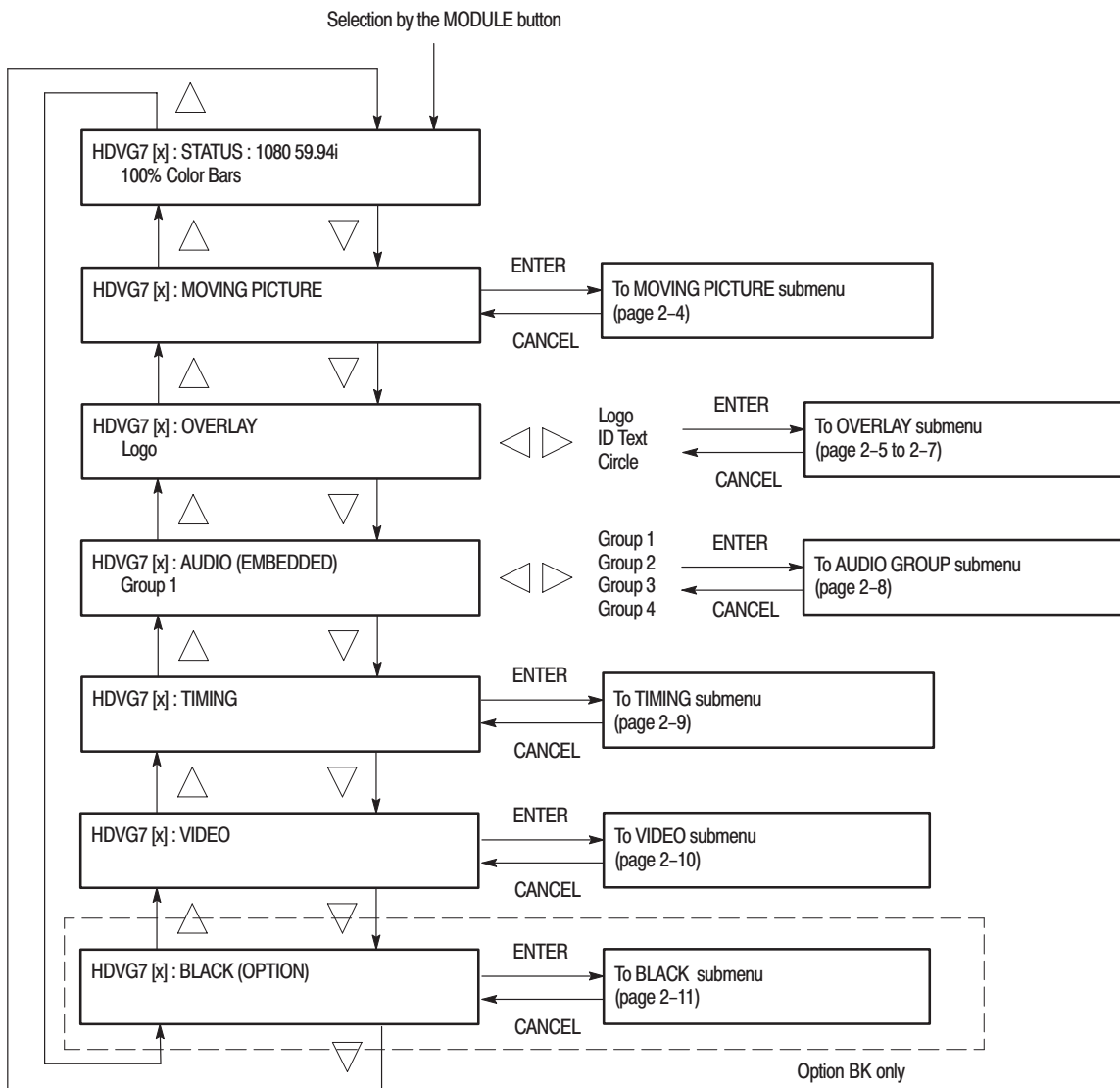


Figure 2-1: HDVG7 module main menu

**MOVING PICTURE
Submenu**

This menu allows you to scroll the active picture area of the serial digital video signal up/down or left/right (or randomly). Use the up (▲) or down (▼) arrow button to scroll through the menu. Figure 2–2 shows the MOVING PICTURE submenu.

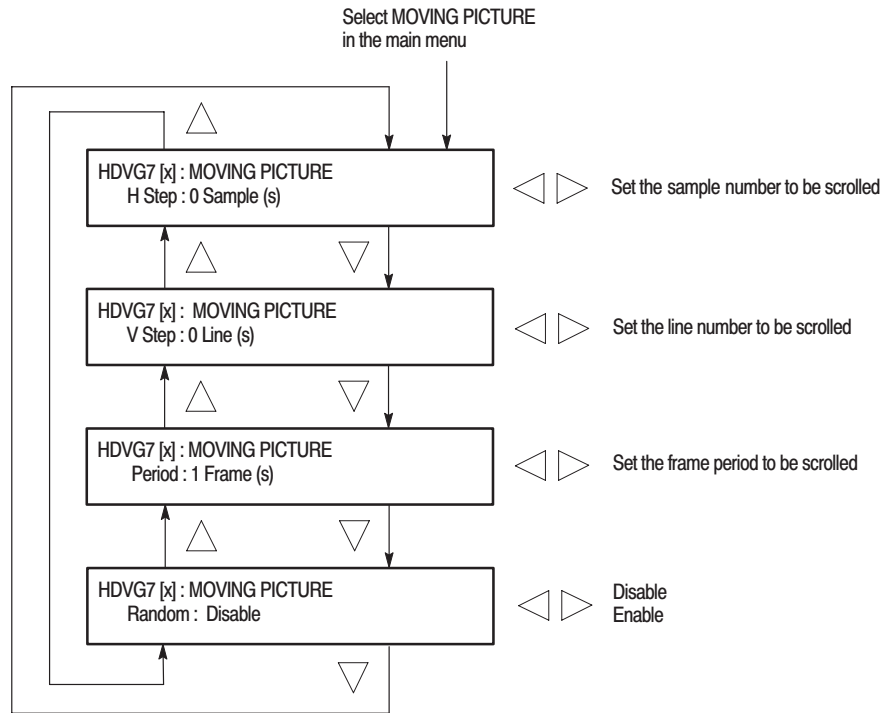


Figure 2–2: MOVING PICTURE submenu

**LOGO OVERLAY
Submenu**

This menu allows you to select a logo to overlay on the output test signal, and set the display position of the logo. Use the up (▲) or down (▼) arrow button to scroll through the menu. Figure 2–3 shows the LOGO OVERLAY submenu.

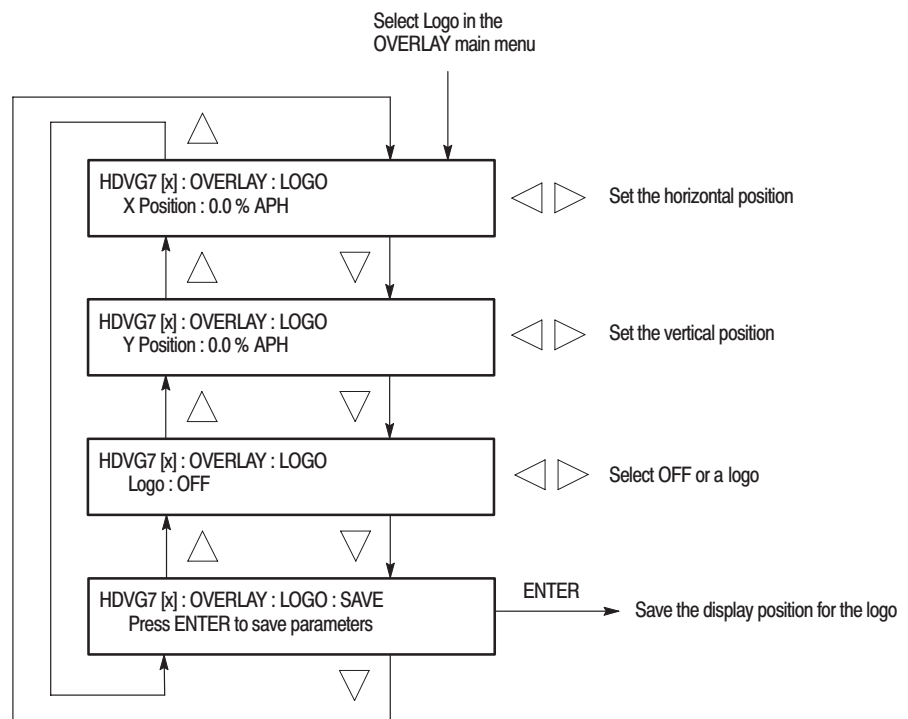


Figure 2–3: LOGO OVERLAY submenu

TEXT OVERLAY Submenu

This menu allows you to edit a text overlaid on the output test signal and set the display position of the text. Use the up (▲) or down (▼) arrow button to scroll through the menu. Figure 2-4 shows the TEXT OVERLAY submenu.

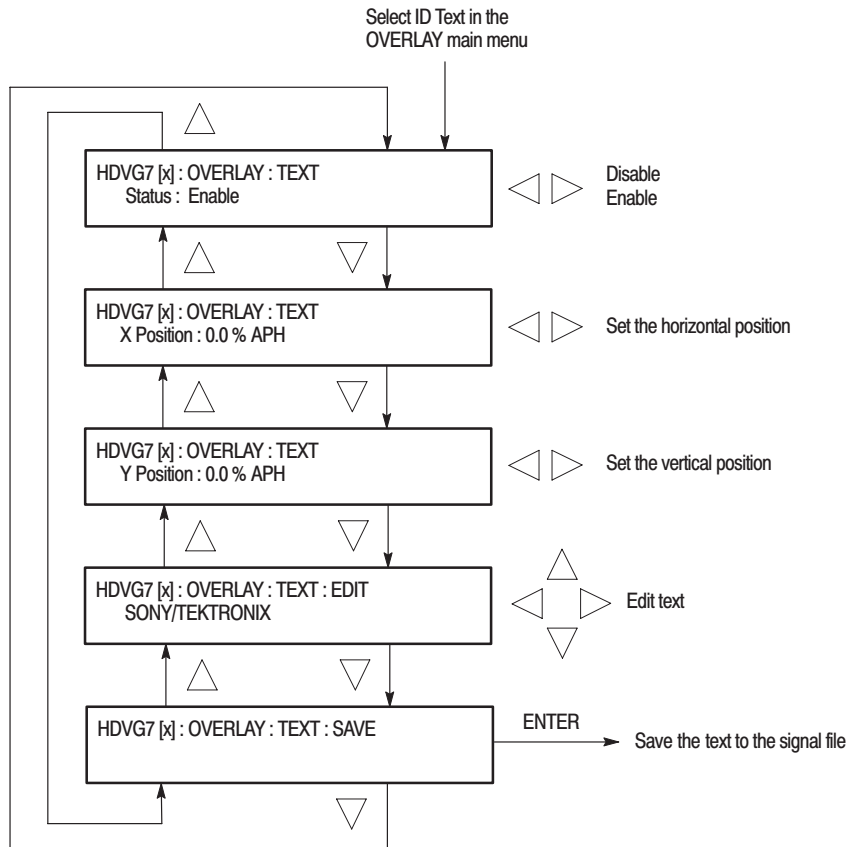


Figure 2-4: TEXT OVERLAY submenu

**CIRCLE OVERLAY
Submenu**

This menu allows you to create a circle overlaid on the output test signal and set the display position of the circle. Use the up (▲) or down (▼) arrow button to scroll through the menu. Figure 2–5 shows the CIRCLE OVERLAY submenu.

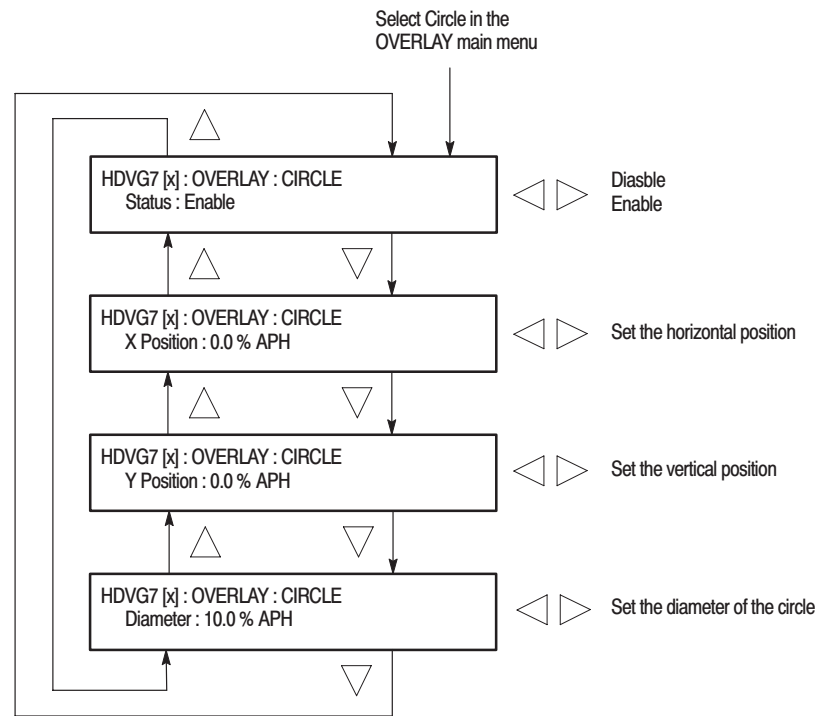


Figure 2–5: CIRCLE OVERLAY submenu

AUDIO GROUP Submenu

This menu allows you to enable or disable embedded audio of the selected audio group, select which audio channel to enable, and set the emphasis status bits, sampling alignment status bits, and sample bits of the selected audio group. Use the up (▲) or down (▼) arrow button to scroll through the menu. Figure 2–6 shows the AUDIO GROUP submenu.

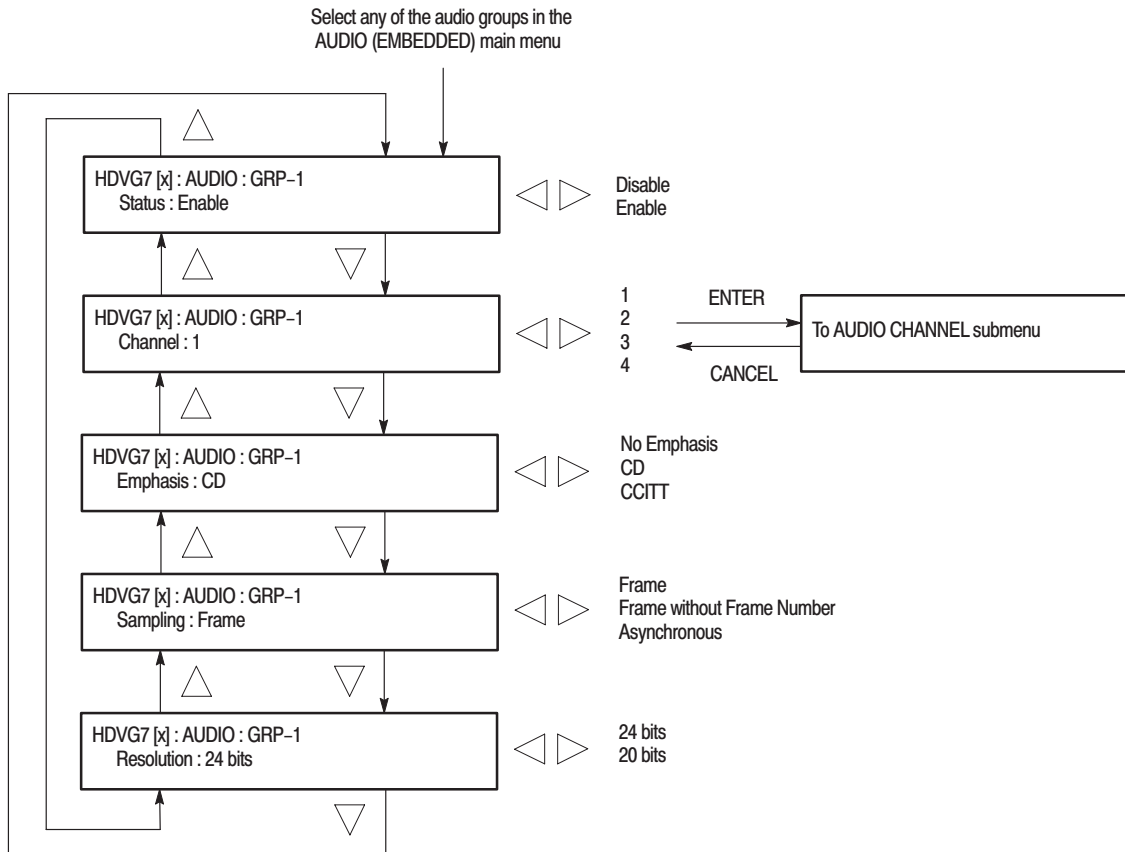


Figure 2–6: AUDIO GROUP submenu

AUDIO CHANNEL Submenu

This menu allows you to set the frequency, amplitude, and audio click of the embedded audio signal for the selected audio channel. Use the up (▲) or down (▼) arrow button to scroll through the menu. Figure 2–7 shows the AUDIO CHANNEL submenu.

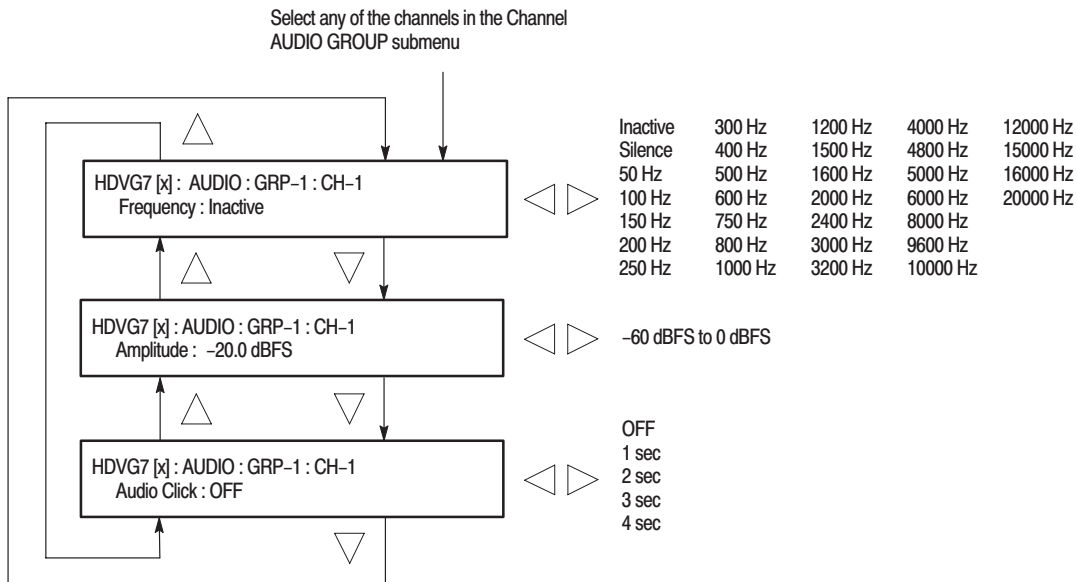


Figure 2–7: AUDIO CHANNEL submenu

TIMING Submenu

This menu allows you to adjust the timing offset of the serial digital video outputs relative to the internal reference signal (frame reset signal). Use the up (▲) or down (▼) arrow button to scroll through the menu. Figure 2–8 shows the TIMING submenu.

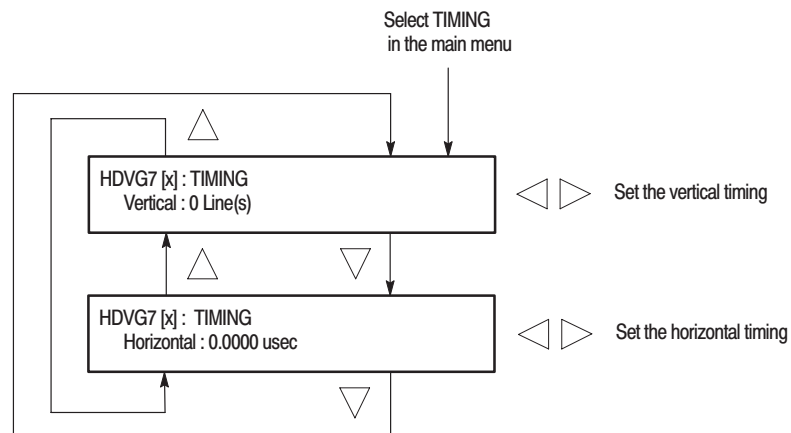


Figure 2–8: TIMING submenu

VIDEO Submenu

This menu allows you to turn the Y, Pb, or Pr component of the serial digital video signals on or off individually. Use the up (▲) or down (▼) arrow button to scroll through the menu. Figure 2-9 shows the VIDEO submenu.

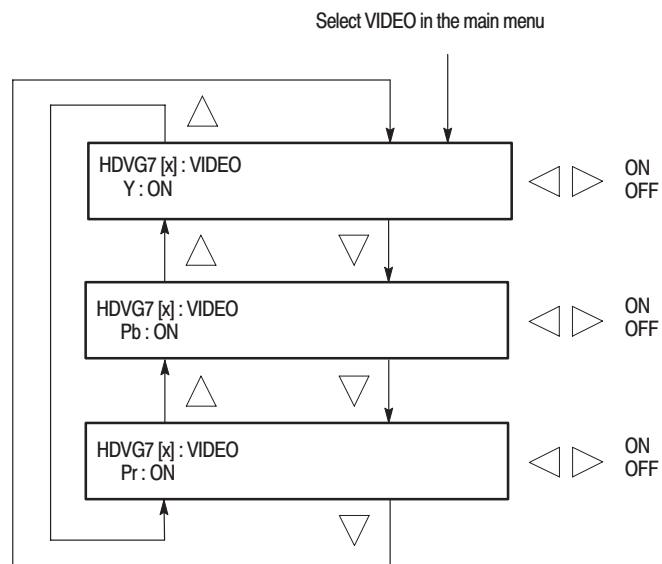


Figure 2-9: VIDEO submenu

**BLACK Submenu
(Option BK Only)**

This menu allows you to set the output parameters of the serial digital black signals output from the **BLACK1** and **BLACK 2** connectors. Use the up (▲) or down (▼) arrow button to scroll through the menu. Figure 2–10 shows the BLACK submenu.

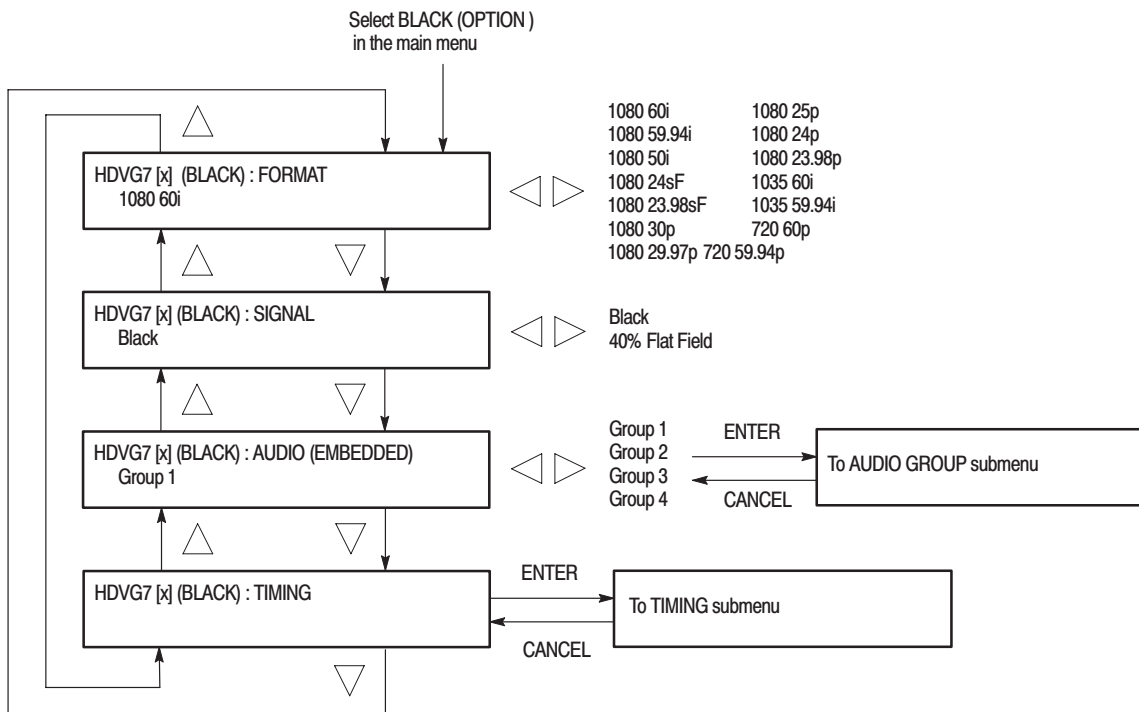


Figure 2–10: BLACK submenu (Option BK only)



Theory of Operation

Theory of Operation

This section describes the basic operation of the major circuit blocks in the HDVG7 Generator module.

For information about the TG700 mainframe, refer to the *TG 700 TV Signal Generator Platform Service Manual*.

Bus Interface	This block provides the communication between the mainframe and the module circuit.
Address Generator	This block consists of a frame delay, an MPU interface, a sequencer, an SDRAM controller, and a blanking data generator. It interfaces the Frame Memory and the Line Memory and controls the output sequence of the video data in these memories.
Frame Memory	Frame memory contains a series of pointers that control the order the video lines stored in Line Memory are used to produce serial digital signals.
Line Memory	Line memory holds the actual sample points which define a serial digital signal.
Overlay Controller	This block consists of an MPU interface and an overlay controller. It inserts data from the Overlay Memory into the Line Memory data stream to create circular patterns, ID text, and logo.
Overlay Memory	The memory generates timings to multiplex the line memory data and the overlay data used for a circle, ID text, and logo overlay.
Formatter	This block consists of a line number and CRC generator, an audio control packet generator, a data packet generator, an MPU interface, and an SRAM controller. It inserts line numbers and embedded audio data in the serial digital signals.
Audio Memory	The memory contains embedded audio data.
Serializer	The serializer converts a 20 bits parallel data to SDI signal.
Black Generator (Option BK Only)	This block generates black or gray (40% gray) signal for the BLACK 1 and BLACK 2 outputs.

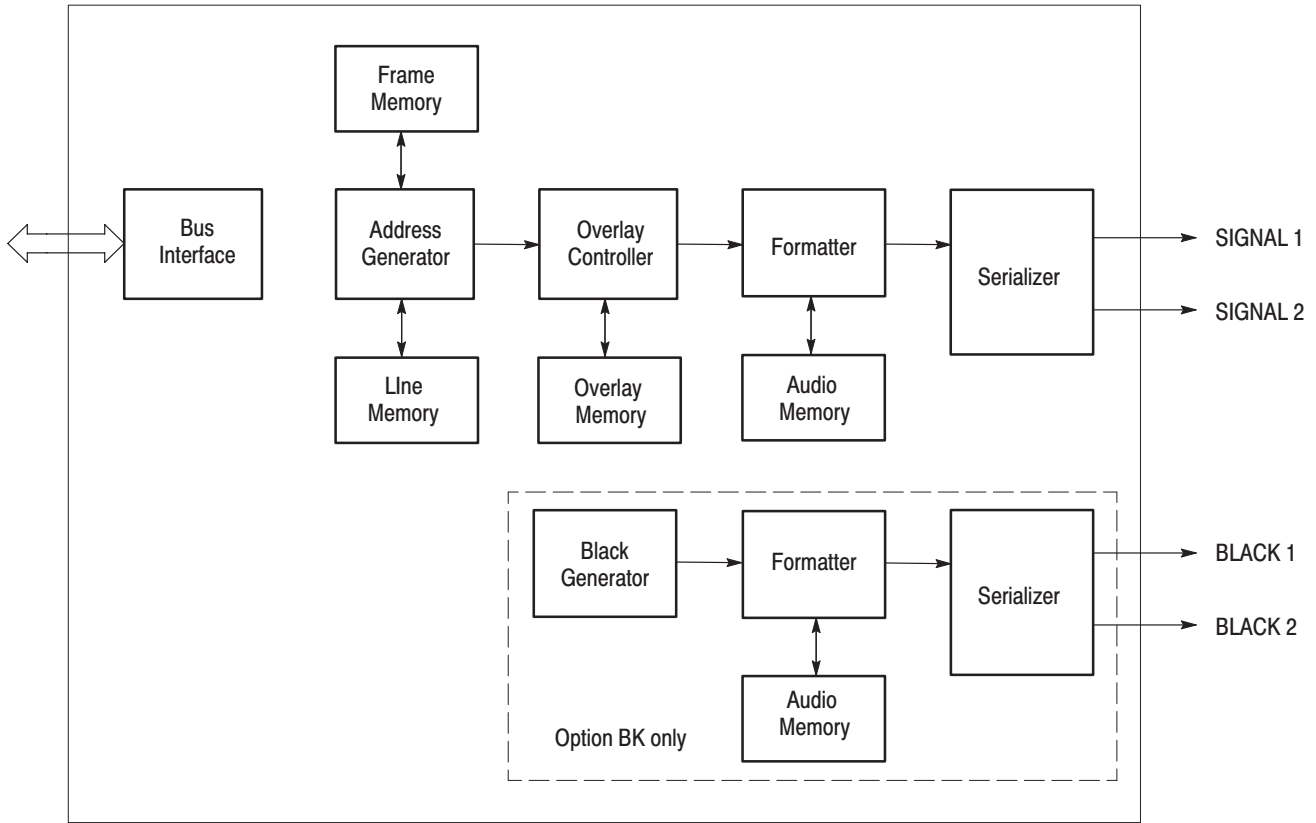


Figure 3-1: Simplified block diagram of the HDVG7 Generator module



Performance Verification

Performance Verification

This section provides procedures that verify the performance and functionality of the HDVG7 Generator module.

NOTE. All values checked in this procedure represent typical characteristics and are not absolutely guaranteed.

Preparation for Performance Verification

Do the following before starting the performance verification procedures:

Power On Default Settings

Before you perform the performance verification procedures, make sure that the required instrument settings are saved in the Power On Default preset.

If the instrument settings are saved in the Power On Default preset, you can recall the settings after the performance verification procedures are completed by removing and reapplying the power.

Warm up

The HDVG7 Generator module and test equipment must have had a warmup period of at least 20 minutes.

Equipment Required

Table 4–1 lists the equipment required for the procedures.

Table 4–1: Equipment required for performance verification

Item	No.	Minimum requirement	Recommended equipment
Digital television waveform monitor	1		Tektronix WFM1125 Option 0D
HDTV picture monitor	1		Sony HDM1220J
Digital audio monitor	1		Tektronix 764
Sampling oscilloscope	1	Bandwidth: 6 GHz or higher	Tektronix TDS820
75 Ω BNC cable	5	Length: 42 inches	Tektronix part no. 012-0074-00
50 Ω BNC to SMA adapter	1		Tektronix part no. 015-1018-00
75 Ω coax terminator	5		Tektronix part no. 011-0102-01
75 Ω signal adapter	1	Bandwidth: 1 GHz	Tektronix AMT75

Calibration Data Report

Photocopy this form and use it to record the performance test results.

Table 4-2: HDVG7 calibration data report

Serial Number:	Cal Date:	Temperature:	Humidity:	
Step	Function Tested	Minimum	Cal Data	Maximum
1.	Serial Output Amplitude			
	SIGNAL 1 (Typical value: 800 mV)	-----	mV	-----
	SIGNAL 2 (Typical value: 800 mV)	-----	mV	-----
2.	Serial Output Rise Time (20% to 80% amplitude points)			
	SIGNAL 1		ps	270 ps
	SIGNAL 2		ps	270 ps
3.	Serial Output Fall Time (20% to 80% amplitude points)			
	SIGNAL 1		ps	270 ps
	SIGNAL 2		ps	270 ps
Option BK				
4.	Serial Output Amplitude			
	BLACK 1 (Typical value: 800 mV)	-----	mV	-----
	BLACK 2 (Typical value: 800 mV)	-----	mV	-----
5.	Serial Output Rise Time (20% to 80% amplitude points)			
	BLACK 1		ps	270 ps
	BLACK 2		ps	270 ps
6.	Serial Output Fall Time (20% to 80% amplitude points)			
	BLACK 1		ps	270 ps
	BLACK 2		ps	270 ps

Performance Verification Procedures

Be sure you have performed the *Preparation for Performance Verification* before proceeding.



WARNING. *Dangerous electric shock hazards exist inside the TG700 mainframe. Only qualified service personnel should perform these procedures.*

Serial Digital Outputs

This test verifies that serial digital signals are output correctly from the SIGNAL 1 and SIGNAL 2 connectors. The following equipment is required for the test:

- Digital TV waveform monitor
- HDTV picture monitor
- Digital audio monitor
- Five 75 Ω BNC cables
- Five 75 Ω coax terminators

Perform the following procedure to verify that serial digital signals are output correctly from the SIGNAL 1 and SIGNAL 2 connectors.

1. Use the 75 Ω BNC cable to connect SIGNAL 1 connector on the HDVG7 Generator module to the CHA connector on the digital TV waveform monitor rear panel as shown in Figure 4-1.
2. Use the 75 Ω coax terminator to terminate the SIGNAL 2 connector on the HDVG7 Generator module.
3. Use the 75 Ω BNC cables to connect Pr, Pb, and Y ANALOG OUT connectors on the digital TV waveform monitor rear panel to INPUT A R/P_R, B/P_B, G/Y connectors, respectively, on the HDTV picture monitor rear panel as shown in Figure 4-1.
4. Use the 75 Ω coax terminators to terminate the other loop through to R/P_R, B/P_B, and G/Y connectors on the HDTV picture monitor rear panel.
5. Use the 75 Ω BNC cable to connect AUDIO CHA connector on the digital TV waveform monitor rear panel to CH1-2 BNC connector on the digital audio monitor rear panel as shown in Figure 4-1.
6. Use the 75 Ω coax terminator to terminate the other loop through to CH1-2 BNC connector on the digital audio monitor rear panel.

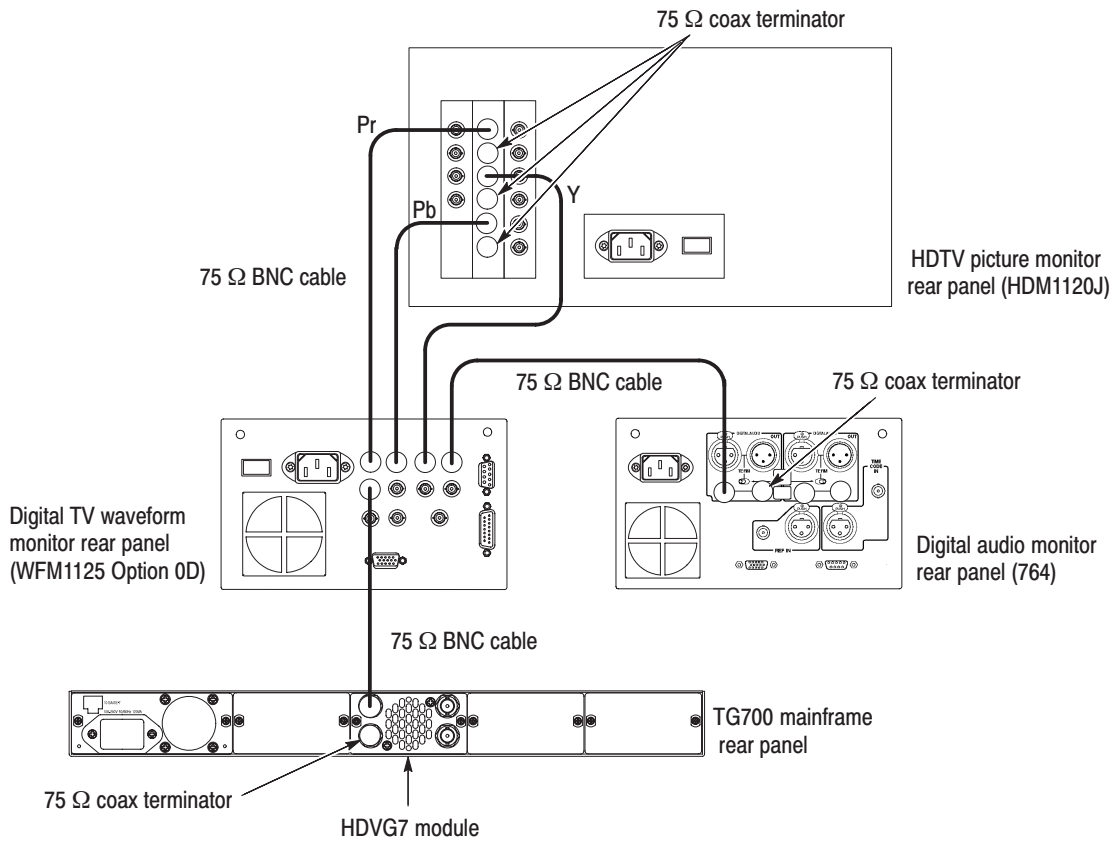


Figure 4-1: Equipment connections for verifying the serial digital outputs

7. Set the digital TV waveform monitor settings as indicated below:
 - Input CH A
 - Display Parade
 - Format 240M/274M
 - Interlaced/Progressive . . Interlaced
8. Recall the Factory Default preset as follows:
 - a. Press the **MODULE** button to display the TG700 main menu.
 - b. Press the up (▲) or down (▼) arrow button to select **RECALL**.
 - c. Press the left (◀) or right (▶) arrow button to select **Factory Default**.
 - d. Press the **ENTER** button to recall the factory default settings.
9. Select the **75 % Color Bars** signal as follows:
 - a. Press the **MODULE** button to display the HDVG7 main menu.

- e. In the view, check CRC errors are not displayed.
 - f. On the digital audio monitor front panel, press the **Audio View** button.
 - g. Verify that the digital audio monitor bar graphs show both Channel 1 and Channel 2 at -20 dBfs.
14. Check that the correct color bar and the overlay text are displayed on the HDTV picture monitor.
15. Change the BNC cable connection from the SIGNAL 1 connector to the SIGNAL 2 connector and change the $75\ \Omega$ terminator from the SIGNAL 2 connector to the SIGNAL 1 connector on the HDVG7 Generator module.
16. Repeat steps 12 through 14.

Serial Digital Black Outputs (Option BK Only). This test verifies that serial digital black signals are output correctly from the BLACK 1 and BLACK 2 connectors.

17. Change the BNC cable connection from the SIGNAL 2 connector to the BLACK 1 connector and change the $75\ \Omega$ terminator from the SIGNAL 1 connector to the BLACK 2 connector on the HDVG7 Generator module.
18. Select the **40 % Flat Field** signal as follows:
- a. Press the **CANCEL** button to return the module main menu.
 - b. Press the up (\blacktriangle) or down (\blacktriangledown) arrow button to select **BLACK (OPTION)**.
 - c. Press the **ENTER** button to access the BLACK submenu.
 - d. Press the up (\blacktriangle) or down (\blacktriangledown) arrow button to select **SIGNAL**.
 - e. Press the left (\blacktriangleleft) or right (\blacktriangleright) arrow button to select **40 % Flat Field** and press the **ENTER** button.
19. Turn on the embedded audio for Group 1 as follows:
- a. Press the **CANCEL** button to return the BLACK submenu.
 - b. Press the up (\blacktriangle) or down (\blacktriangledown) arrow button to select **AUDIO (EMBEDDED)**.
 - c. Press the left (\blacktriangleleft) or right (\blacktriangleright) arrow button to select **Group 1**, and then press the **ENTER** button to access the AUDIO GROUP submenu.
 - d. Press the left (\blacktriangleleft) or right (\blacktriangleright) arrow button to select **Enable**, and then press the **ENTER** button.
 - e. Press the **CANCEL** button to return the BLACK submenu.

20. Verify that the waveform is correctly displayed on the digital TV waveform monitor.
21. Verify that the CRC ERROR LED on the digital TV waveform monitor does not light.
22. Verify that the digital audio monitor bar graphs show both Channel 1 and Channel 2 at -20 dBfs.
23. Verify that the correct flat field signal is displayed on the HDTV picture monitor.
24. Change the BNC cable connection from BLACK 1 connector to the BLACK 2 connector and change the $75\ \Omega$ terminator from BLACK 2 connector to the BLACK 1 connector on the HDVG7 Generator module.
25. Repeat steps 20 through 23.

Eye Pattern Check

This test verifies the signal level and eye pattern of the SIGNAL 1 and SIGNAL 2 outputs. The following equipment is required for the test:

- Sampling oscilloscope
- $75\ \Omega$ signal adapter (AMT75)
- $75\ \Omega$ BNC cable
- SMA-to-BNC adapter
- $75\ \Omega$ coax terminator

Perform the following procedure to verify the signal level and eye pattern of the SIGNAL 1 and SIGNAL 2 outputs.

1. Use the $75\ \Omega$ BNC cable, $75\ \Omega$ signal adapter, and SMA-to-BNC adaptor to connect the SIGNAL 1 connector on the HDVG7 Generator module to the CH1 input connector on the oscilloscope as shown in Figure 4–2.

NOTE. *Some sampling oscilloscopes do not automatically adjust their readouts to account for the $\div 5$ attenuation of the AMT75. You must remember to account for this attenuation while viewing the oscilloscope readouts if you are using an oscilloscope of this type.*

2. Use the $75\ \Omega$ coax terminator to terminate the SIGNAL 2 connector on the HDVG7 Generator module.

3. Set the sampling oscilloscope settings as indicated below:

- Vertical 30 mV/div
- Horizontal 200 ps/div
- Main Position 700 ps
- Trig Source CH1
- Trig Level 0 V
- Trig Slope Rising Edge
- Acquire Menu Normal
- DISPLAY Variable persistence: 500 ms
- Measure Amplitude

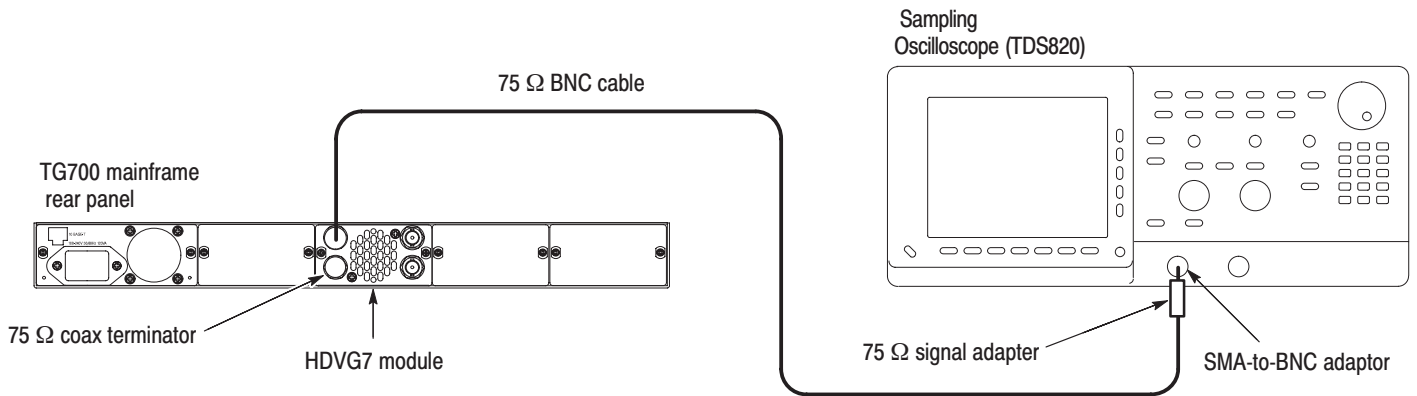


Figure 4-2: Equipment connection for verifying the output level and eye pattern

4. Verify that SIGNAL 1 eye pattern displayed on the sampling oscilloscope is fully open. Figure 4-3 shows an example of the eye pattern for an acceptable output signal.

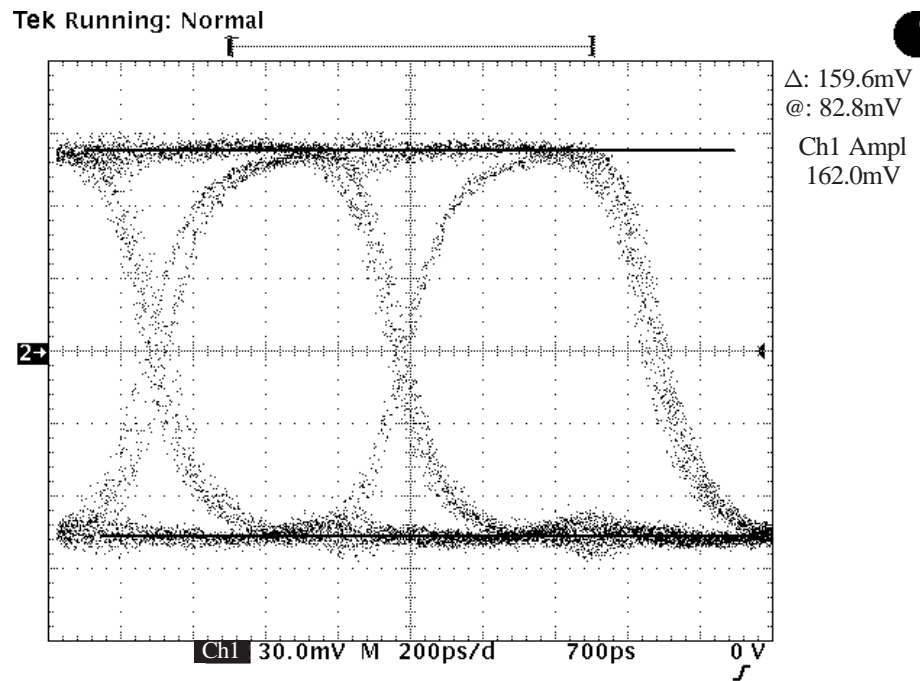


Figure 4-3: Example of eye pattern for an acceptable output signal

5. Use the sampling oscilloscope to measure that the amplitude, rise and fall time are as follows.

Amplitude : approximately 160 mV

Rise and fall time : < 270 ps (20 % to 80 %)

6. Change the BNC cable connection from the SIGNAL 1 connector to the SIGNAL 2 connector and change the 75 Ω terminator from the SIGNAL 2 connector to the SIGNAL 1 connector on the HDVG7 Generator module.
7. Check that SIGNAL 2 eye pattern displayed on the sampling oscilloscope is fully open (see Figure 4-3) and repeat step 5.

BLACK Output Eye Pattern Check (Option BK Only). This test verifies the signal level and eye pattern of the BLACK 1 and BLACK 2 outputs.

8. Change the BNC cable connection from the SIGNAL 2 connector to the BLACK 1 connector and change the 75 Ω terminator from the SIGNAL 1 connector to the BLACK 2 connector on the HDVG7 Generator module.
9. Check that BLACK 1 eye pattern displayed on the sampling oscilloscope is fully open (see Figure 4–3) and repeat step 5.
10. Change the BNC cable connection from the BLACK 1 connector to the BLACK 2 connector and change the 75 Ω terminator from the BLACK 2 connector to the BLACK 1 connector on the HDVG7 Generator module.
11. Check that SIGNAL 2 eye pattern displayed on the sampling oscilloscope is fully open (see Figure 4–3) and repeat step 5.

This completes the *Performance Verification* procedure. If you require further assistance, contact your nearest Tektronix Service Center.



Adjustment Procedures

Adjustment Procedures

This section contains information needed to adjust the TG700.

The only adjustment in the HDVG7 Generator module is for the output level.

Requirements for Adjustment

Before doing the adjustment, note the following requirements.

Personnel This procedure is only to be performed by trained service technicians.

Warmup Period The HDVG7 Generator module requires a 20 minute warmup time in a +20° C to +30° C environment before it is adjusted. Adjustment done before the operating temperature has stabilized may cause errors in performance.

Access When adjusting the output level, you need to remove the top cover of the TG700 mainframe. For removal and installation procedures for the top cover, refer to the *TG700 TV Signal Generator Platform Service Manual*.

Equipment Required

Table 4–1 lists the equipment required to adjust the output level.

Table 5–1: Equipment required

Item	No.	Minimum requirement	Recommended equipment
TV signal generator platform	1		Tektronix TG700
Sampling Oscilloscope	1	Bandwidth: 6 GHz or higher	Tektronix TDS820
75 Ω BNC cable	1	Length: 42 inches	Tektronix part no. 012-0074-00
50 Ω BNC to SMA adapter	1		Tektronix part no. 015-1018-00
75 Ω coax terminator	1		Tektronix part no. 011-0102-01
75 Ω signal adapter	1	Bandwidth: 1 GHz Amplitude precision: -3 dB	Tektronix AMT75

Output Level Adjustment

Preparation To perform the output level adjustment, you must first remove the top cover of the TG700 mainframe. For removal and installation procedures for the top cover, refer to the *TG700 TV Signal Generator Platform Service Manual*.

After you have removed the top cover, find the variable resistors on the HDVG7 circuit board. See Figure 5–1.

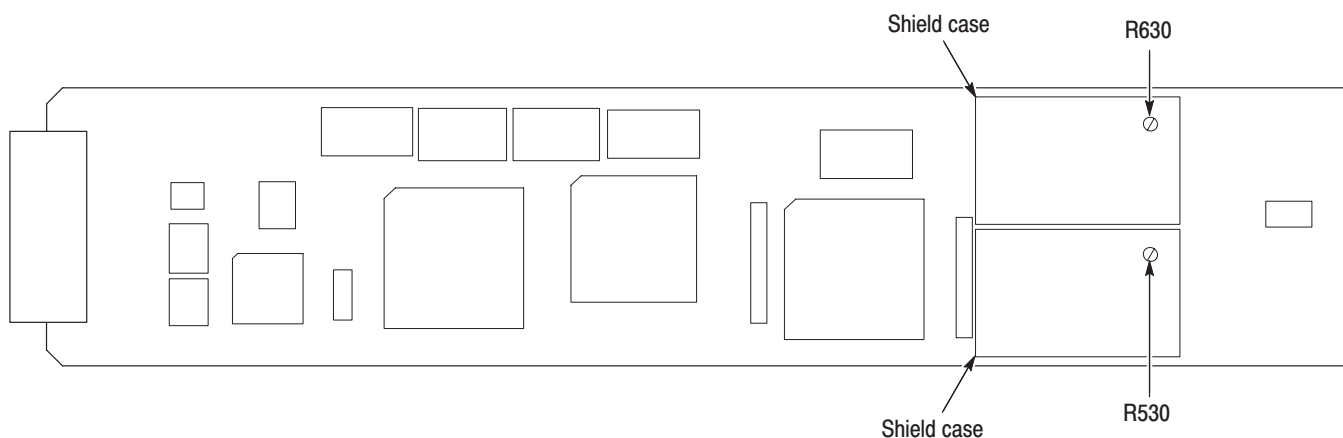


Figure 5–1: HDVG7 circuit board view

Procedure



WARNING. To avoid serious injury, do not touch exposed connectors or components when operating the TG700 mainframe with the top cover removed. Dangerous potentials exist at several points within the TG700 mainframe.

1. Use the 75 Ω BNC cable, 75 Ω signal adapter, and SMA-to-BNC adaptor to connect the SIGNAL 1 connector on the HDVG7 Generator module to the CH1 input connector on the oscilloscope as shown in Figure 4–2.

NOTE. Some sampling oscilloscopes do not automatically adjust their readouts to account for the $\div 5$ attenuation of the AMT75. You must remember to account for this attenuation while viewing the oscilloscope readouts if you are using an oscilloscope of this type.

2. Use the 75 Ω coax terminator to terminate the SIGNAL 2 connector on the HDVG7 Generator module.

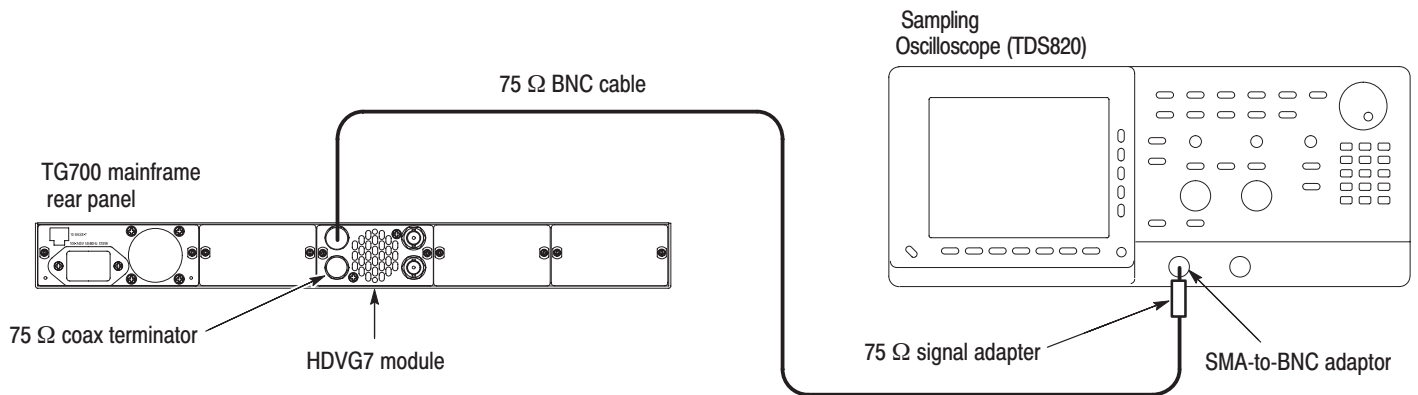


Figure 5-2: Equipment connection for adjusting the output level

3. Set the sampling oscilloscope settings as indicated below:

Vertical	30 mV/div
Horizontal	200 ps/div
Trig Position	50 %
Main Position	700 ps
Trig Level	0 V
Trig Slope	Rising Edge
Acquire Menu	Normal
DISPLAY	Variable persistence: 500 ms

4. Recall the Factory Default preset as follows:

- Press the up (▲) or down (▼) arrow button to select **RECALL**.
- Press the left (◀) or right (▶) arrow button to select **Factory Default**.
- Press the **ENTER** button to recall the factory default settings.
- Press the **CANCEL** button to return the TG700 main menu.

5. Select the **75 % Color Bars** signal as follows:

- Press the **MODULE** button to display the **HDVG7** main menu.
- Press the **COLOR BAR** test signal button until the **75 % Color Bars** signal is selected.

6. Turn on the “Cursor: HBars” of the sampling oscilloscope, and then set the ΔV to 159.6 mV.

7. Change the cursor mode to Track, and then position the cursors so that they are symmetrical about the center graticule.

8. Locate variable resistor R530 on the HDVG7 circuit board. See Figure 5-1.
9. Adjust the R530 so that the signal amplitude is equal to the height between the two cursors set in step 6.

BLACK Output Level Adjustment (Option BK Only).

10. Move the BNC cable connection from the SIGNAL 1 connector to the BLACK 1 connector and move the 75 Ω terminator from the SIGNAL 2 connector to the BLACK 2 connector on the HDVG7 Generator module.
11. Select the **40 % Flat Field** signal as follows:
 - a. Press the **CANCEL** button to return the module main menu.
 - b. Press the up (**▲**) or down (**▼**) arrow button to select **BLACK (OPTION)**.
 - c. Press the **ENTER** button to access the BLACK submenu.
 - d. Press the up (**▲**) or down (**▼**) arrow button to select **SIGNAL**.
 - e. Press the left (**◀**) or right (**▶**) arrow button to select **40 % Flat Field** and press the **ENTER** button.
12. Locate the variable resistor R630 on the HDVG7 circuit board. See Figure 5-1.
13. Adjust the R630 so that the signal amplitude is equal to the height between the two cursors set in step 6.

This completes the output level adjustment procedures.



Maintenance

Maintenance

This section contains instructions and procedures for maintaining the HDVG7 Generator module. For information on servicing the mainframe, refer to the *TG700 TV Signal Generator Platform Service Manual*.

The following information can be found in this section:

- Preparation page 6–1
- Inspection and Cleaning (preventive maintenance) page 6–3
- Repackaging Instructions page 6–3
- Removal and Replacement page 6–5
- Troubleshooting page 6–7

If the instrument does not function properly, troubleshooting and corrective measures should be taken immediately to prevent additional problems.

NOTE. Contact your local Tektronix representative for information on where to return your instrument if it requires repair during the warranty period.

Preparation

Please read and follow these preparation instructions before attempting to perform any maintenance or service to the instrument.

Servicing Prerequisites

Make sure of the following before beginning any instrument service:

- The maintenance or service of this instrument must be performed by qualified service personnel only.
- Read the *Service Safety Summary* located at the beginning of this manual before attempting to perform any maintenance or service to the instrument.
- Read the *Operating Information* section of this manual before attempting to perform any maintenance or service to the instrument.

Electrostatic Damage Prevention

This instrument contains electrical components that are susceptible to damage from electrostatic discharge. Static voltages of 1 kV to 30 kV are common in unprotected environments.



CAUTION. *Static discharge can damage any semiconductor component in this instrument.*

Observe the following precautions to avoid static damage:

- Minimize handling of static-sensitive components.
- Transport and store static-sensitive components or assemblies in their original containers, on a metal rail, or on conductive foam. Label any package that contains static-sensitive assemblies or components.
- Discharge the static voltage from your body by wearing a wrist strap while handling these components. Servicing static-sensitive assemblies or components should only be performed at a static-free workstation by qualified personnel.
- Nothing capable of generating or holding a static charge should be allowed on the workstation surface.
- Keep the component leads shorted together whenever possible.
- Pick up components by the body, never by the leads.
- Do not slide the components over any surface.
- Avoid handling components in areas that have a floor or work surface covering capable of generating a static charge.
- Use a soldering iron that is connected to earth ground.
- Use only special antistatic, suction-type or wick-type desoldering tools.

NOTE. *A 2% RMA flux content solder is recommended for making repairs in this instrument. Cleaning of rosin residue is not recommended. Most cleaning solvents tend to reactivate the rosin and spread it under components where it may cause corrosion under humid conditions. The rosin residue, if left alone, does not exhibit these corrosive properties.*

Inspection and Cleaning

Preventive maintenance consists of cleaning, visual inspection, performance checking, and, if needed, readjustment. The preventive maintenance schedule established for the instrument should be based on the environment in which it is operated and the amount of use. Under average conditions, scheduled preventive maintenance should be performed every 2000 hours of operation.

General Care

Protect the module from adverse weather conditions. The module is not waterproof.



CAUTION. To avoid damage to this module, do not expose it to sprays, liquids, or solvents. Do not flex the circuit board if you remove the board from its mounting shield. The circuit board can be damaged by flexing. The shield provides necessary structural support to the circuit board.

Inspecting and Cleaning Procedures

Clean the mainframe and modules often enough to prevent dust or dirt from accumulating. Refer to *Inspecting and Cleaning Procedures* in the *TG700 TV Signal Generator Platform Service Manual*.

Performance Verification

Check module performance after each 2000 hours of operation or every 12 months. This will help to ensure maximum performance and assist in locating defects that may not be apparent during regular operation. Performance verification procedures are included in this manual.

Repackaging Instructions

Use the following instructions to prepare your instrument for shipment to a Tektronix, Inc., Service Center:

1. Attach a tag to the instrument showing: the owner, complete address and phone number of someone at your firm who can be contacted, the instrument serial number, and a description of the required service.
2. Package the instrument in the original packaging materials. If the original packaging materials are not available, follow these directions:
 - a. Obtain a carton of corrugated cardboard having inside dimensions six or more inches greater than the dimensions of the instrument. Use a shipping carton that has a test strength of at least 250 pounds (113.5 kg).
 - b. Surround the module with a protective (anti-static) bag.

- c. Pack dunnage or urethane foam between the instrument and the carton. If using Styrofoam kernels, overfill the box and compress the kernels by closing the lid. There should be three inches of tightly packed cushioning on all sides of the instrument.
3. Seal the carton with shipping tape, industrial stapler, or both.

Removal and Replacement

This section contains the instructions on how you can remove and replace the customer replaceable parts of the HDVG7 Generator module.

Tools Required

The following tools are required to perform the removal and replacement procedures:

Table 6-1: Required tools

Name	Description	Tektronix part number
Screwdriver handle	Accepts Phillips-driver bits	
#1 Phillips tip	Phillips-driver bit for #1 size screw heads	
#2 Phillips tip	Phillips-driver bit for #2 size screw heads	
Nut driver, 14 mm	Special nut driver for removing the BNC connectors of the HDVG7 module	030-A041-00

Replacing the Rear Panel Connectors, Chassis, and Fan

It is usually not necessary to replace the rear panel connectors, chassis, and fan. However, if a connector, chassis, or fan becomes damaged, you can replace them.

Replacing the Rear Panel Connectors

Perform the following procedure to replace the rear panel connector:

1. Use the *Module Installation* section in the *TG700 TV Signal Generator Platform Service Manual* to remove the HDVG7 Generator module from the mainframe.
2. Disconnect the cables at P500 (SIGNAL 1) and P502 (SIGNAL 2) on the HDVG7 circuit board. If Option BK is installed, also disconnect the cables at J800 (BLACK 1) and J802 (BLACK 2).
3. Use the 14 mm nut driver to remove the nut securing the damaged connector to the chassis. Pull the connector away.
4. Perform steps 2 and 3 in reverse order to replace the connector.

Replacing the Chassis

Perform the following procedure to replace the chassis:

1. Use the 14 mm nut driver to remove the nuts from each of the rear panel connectors.
2. Disconnect the fan's power cable at P040 on the HDVG7 circuit board.
3. Use a screwdriver with a size #2 Phillips tip to remove the six screws securing the circuit board to the chassis.
4. Lift the circuit board up and away from chassis, and then place it on a static free surface.
5. Use a screwdriver with a size #2 Phillips tip to remove the two screws securing the fan to the chassis.
6. Set the replacement chassis on a firm, flat, static-free work surface.
7. Place the fan in place on the chassis.
8. Use a screwdriver with a #2 Phillips tip to install the two screws securing the fan to the chassis.
9. Carefully place the circuit board in place on the chassis.
10. Use a screwdriver with a #2 Phillips tip to install the six screws securing the circuit board to the chassis.
11. Apply the rear panel to the chassis, and then install all the rear panel connectors to the chassis.

Replacing the Fan

Perform the following procedure to replace the fan:

1. Perform steps 1 through 5 in *Replacing the Chassis*.
2. Perform step 1 in reverse order to replace the fan.

Troubleshooting

This section contains instructions and procedures for troubleshooting the HDVG7 Generator module. These procedures will help you decide whether it is necessary to replace your module.

If the TG700 mainframe does not boot up or if the display is not working, refer to *Troubleshooting* in the *TG700 TV Signal Generator Platform Service Manual*.

Equipment Required

The equipment listed in Table 6–2 is required for troubleshooting.

Table 6–2: Equipment required for troubleshooting

Equipment description	Minimum requirements/example
Screwdriver handle	Accept Phillips-driver bits
#1 Phillips tip	Phillips-driver bit for #1 size screw heads
TG700 mainframe	A TG700 mainframe that is functioning correctly.

Backing up the instrument settings

Before you begin the troubleshooting procedures, create a preset to save your instrument settings as follows:

1. Press the **MODULE** button until the mainframe main menu (TG700: PRESET) appears.
2. Press the **ENTER** button to access the PRESET submenu.
3. Press the up (▲) or down (▼) arrow button to select **SAVE**.
4. Press the left (◀) or right (▶) arrow button to select a preset number to save instrument settings.
5. Press the **ENTER** button to save the current instrument settings to the new preset.

After the problem is solved, recall the preset you created.

Troubleshooting Trees

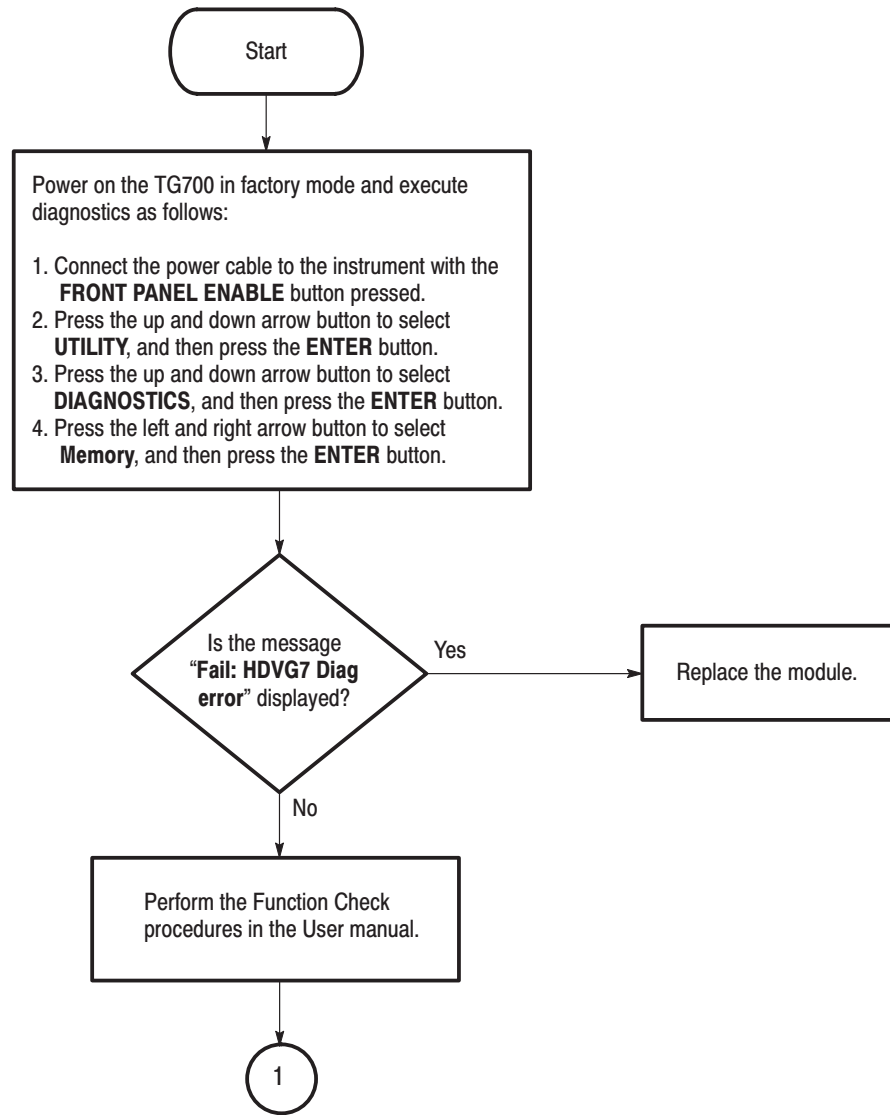


Figure 6-1: Troubleshooting procedure (1)

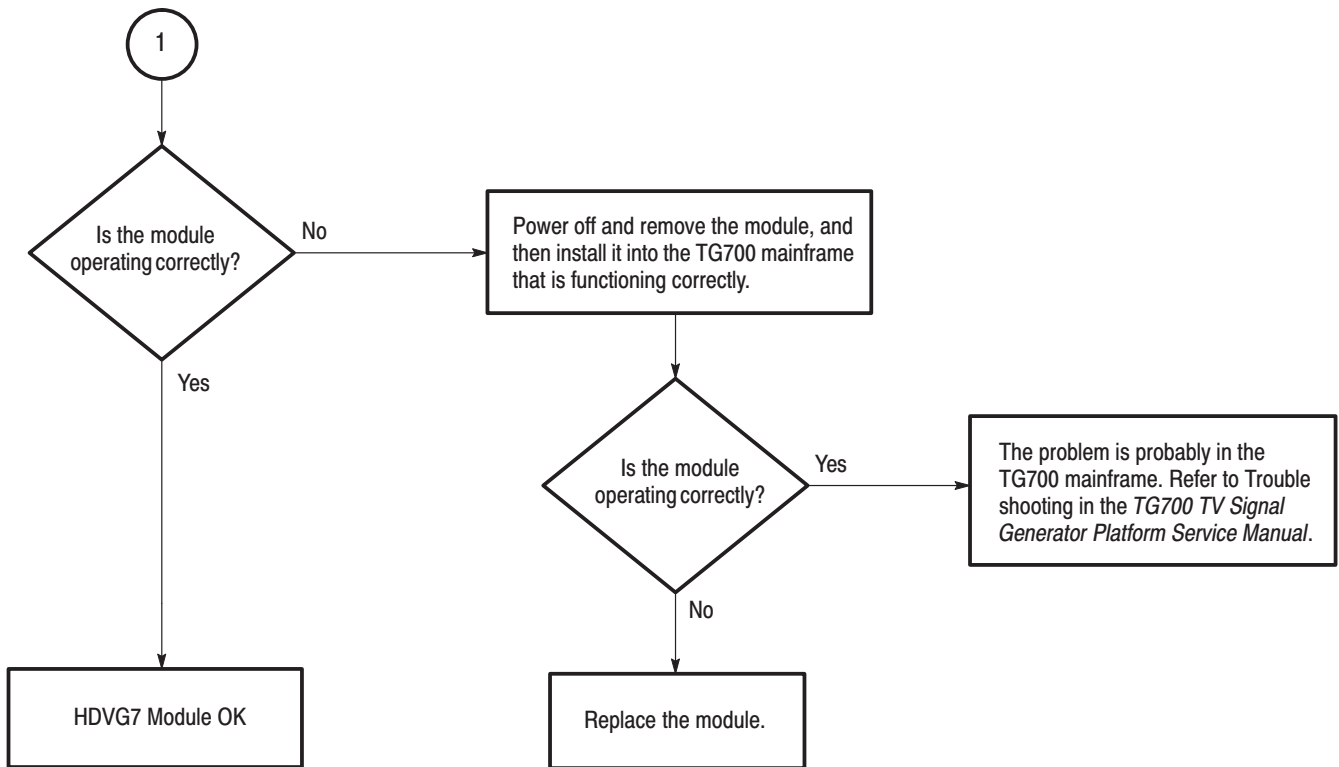


Figure 6-2: Troubleshooting procedure (2)



Options

Options

This section describes options that are available for the HDVG7 Generator module.

The following options are available:

- Option BK (Serial digital black output)
- Option D1 (Test data report)

Option BK Description

Two serial digital black signal outputs are added to the HDVG7 Generator module when this option is specified.

Option D1 Description

A calibration data test result report will be provided with the HDVG7 Generator module when this option is specified.



Replaceable Electrical Parts



Replaceable Electrical Parts

The module-level replaceable electrical parts are included in the *Replaceable Mechanical Parts* list. Since component-level repair is not supported, individual electrical components are not listed.



Diagram

Diagram

Figure 9-1 shows the HDVG7 Generator module and how it interconnects with the TG700 TV Signal Generator Platform.

Diagrams showing mainframe component interconnections, such as power supply and oscillator, can be found in the *TG700 TV Signal Generator Platform Service Manual*.

A block diagram of the HDVG7 Generator module is located in the *Theory of Operation* section, beginning on page 3-1.

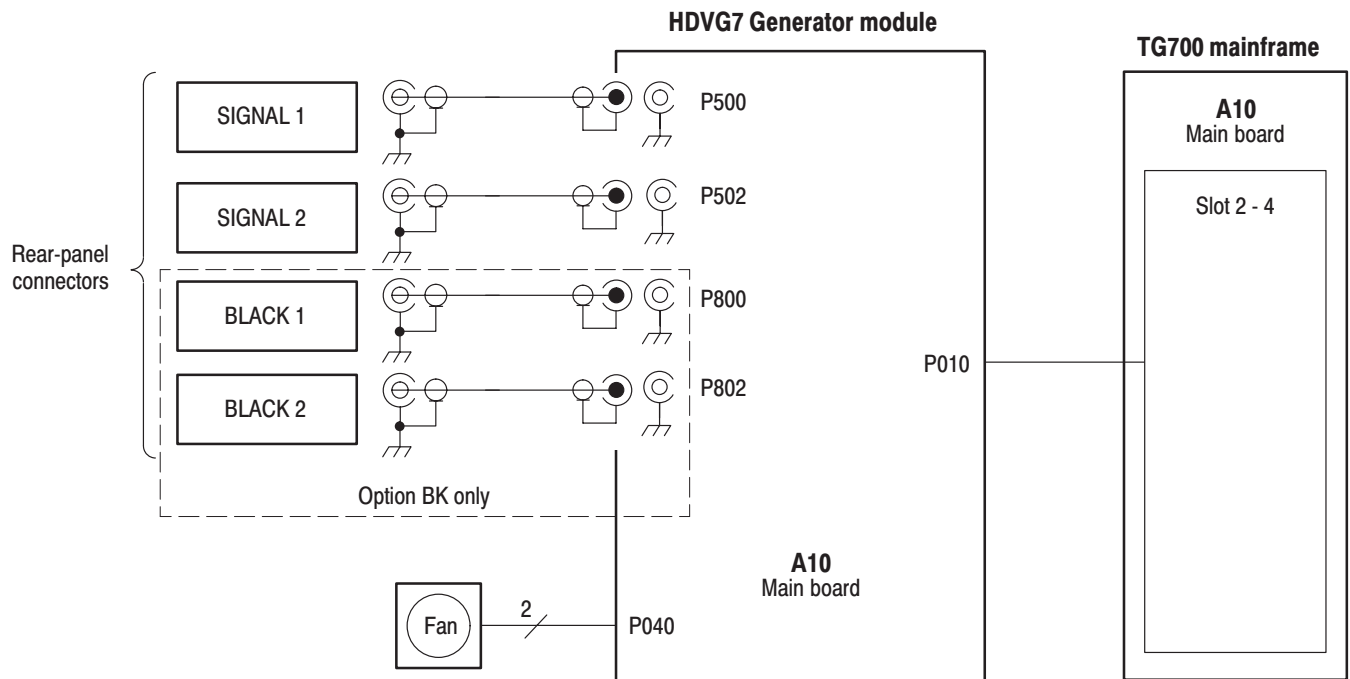


Figure 9-1: HDVG7 Generator module connections



Mechanical Parts List

Mechanical Parts List

This section contains a list of the replaceable modules for the HDVG7 Generator module. Use this list to identify and order replacement parts.

Parts Ordering Information

Replacement parts are available through your local Tektronix field office or representative.

Changes to Tektronix products are sometimes made to accommodate improved components as they become available and to give you the benefit of the latest improvements. Therefore, when ordering parts, it is important to include the following information in your order.

- Part number
- Instrument type or model number
- Instrument serial number
- Instrument modification number, if applicable

If you order a part that has been replaced with a different or improved part, your local Tektronix field office or representative will contact you concerning any change in part number.

Module Servicing

Modules can be serviced by selecting one of the following three options. Contact your local Tektronix service center or representative for repair assistance.

Module Exchange. In some cases you may exchange your module for a remanufactured module. These modules cost significantly less than new modules and meet the same factory specifications. For more information about the module exchange program, call 1-800-833-9200. Outside North America, contact a Tektronix sales office or distributor; see the Tektronix web site for a list of offices: www.tektronix.com

Module Repair and Return. You may ship your module to us for repair, after which we will return it to you.

New Modules. You may purchase replacement modules in the same way as other replacement parts.

Using the Replaceable Parts List

This section contains a list of the mechanical and/or electrical components that are replaceable for the HDVG7 Generator module. Use this list to identify and order replacement parts. The following table describes each column in the parts list.

Parts list column descriptions

Column	Column name	Description
1	Figure & Index Number	Items in this section are referenced by figure and index numbers to the exploded view illustrations that follow.
2	Tektronix Part Number	Use this part number when ordering replacement parts from Tektronix.
3 and 4	Serial Number	Column three indicates the serial number at which the part was first effective. Column four indicates the serial number at which the part was discontinued. No entries indicates the part is good for all serial numbers.
5	Qty	This indicates the quantity of parts used.
6	Name & Description	An item name is separated from the description by a colon (:). Because of space limitations, an item name may sometimes appear as incomplete. Use the U.S. Federal Catalog handbook H6-1 for further item name identification.
7	Mfr. Code	This indicates the code of the actual manufacturer of the part.
8	Mfr. Part Number	This indicates the actual manufacturer's or vendor's part number.

Abbreviations

Abbreviations conform to American National Standard ANSI Y1.1-1972.

Mfr. Code to Manufacturer Cross Index

The table titled Manufacturers Cross Index shows codes, names, and addresses of manufacturers or vendors of components listed in the parts list.

Manufacturers cross index

Mfr. code	Manufacturer	Address	City, state, zip code
S3109	FELLER	72 VERONICA AVE UNIT 4	SUMMERSET NJ 08873
TK0191	SONY/TEKTRONIX	PO BOX 5209 TOKYO INTERNATIONAL	TOKYO JAPAN 100-31
TK2432	UNION ELECTRIC	15/F #1, FU-SHING N. ROAD	TAIPEI, TAIWAN ROC
2W733	BELDEN CORPORATION	2200 US HIGHWAY 27 SOUTH PO BOX 1980	RICHMOND IN 47375-0010
80009	TEKTRONIX INC	14150 SW KARL BRAUN DR PO BOX 500	BEAVERTON, OR 97077-0001

Replaceable parts list

Fig. & index number	Tektronix part number	Serial no. effective	Serial no. discont'd	Qty	Name & description	Mfr. code	Mfr. part number
10-1	116-A007-01			1	EXCHANGE MODULE:HDVG7	80009	
	116-A008-01			1	EXCHANGE MODULE:HDVG7-BK	80009	
10-1-1	441-A257-00			1	CHASSIS,MODULE HDVG7:ASSY	80009	
-2	333-A409-00			1	PANEL,REAR:HDVG7,AL	80009	
	333-A410-00			1	PANEL,REAR:HDVG7 OPTION,AL	80009	
-3	214-4946-00			2	SPRING,CONICAL:VXI MOUNTING SCREW,0.26MM	80009	
-4	213-1129-00			2	SCREW,MACHINE:M2.5X11MM L,PAN HD,STL,NI PL,CROSS REC & SLOTTED [322401-05]	80009	
-5	348-A128-00			2.5 CM	SHLD GASKET,ELEK:FINGER TYPE,5.1MM LX6.4MM W,BE-CU [97-645-02]	80009	
-6	174-B846-00			2	CABLE ASSY,RF:75OHM,COAX(RG179),6CM L,BNC TO PL71-LP-1.5C	80009	
	174-B846-00			4	CABLE ASSY,RF:75OHM,COAX(RG179),6CM L,BNC TO PL71-LP-1.5C (OPTION BK)	80009	
-7	211-A245-00			6	SCREW,MACHINE:M3X6MM L,PNH,STL,NI PL,CROSS REC,W/KOGATAMARU & LOCK WASHER	80009	
-8	220-A175-01			1	NUT,PLATE:MODULE FAN,AL	80009	
-9	119-B067-00			1	FAN,TUBEAXIAL:119-B066-00 W/CONN	80009	
-10	211-A267-00			2	SCREW,MACHINE:M3X8MM L,PNH,STL,NI PL,CROSS REC,W/KOGATAMARU & LOCK WASHER	80009	
-11	334-1378-03			1	MARKER,IDENT:MKD SERIAL NO. FOR SONY/TEK	80009	
-12	342-A146-00			1	INSULATOR,PLATE:HEAT CONDUCTOR,RUBBER, 20MMX20MMX10MM THK [TC1000-TCK]	80009	
	342-A146-00			2	INSULATOR,PLATE:HEAT CONDUCTOR,RUBBER, 20MMX20MMX10MM THK [TC1000-TCK]	80009	
					OPTIONAL ACCESSORIES		
	070-A800-XX			1	MANUAL,TECH:SERVICE,TG700	TK0191	
	003-A041-00			1	NUT DRIVER,BOX:14MM HEX,BNC RETAINING NUT, MODIFIED 19MM	TK0191	

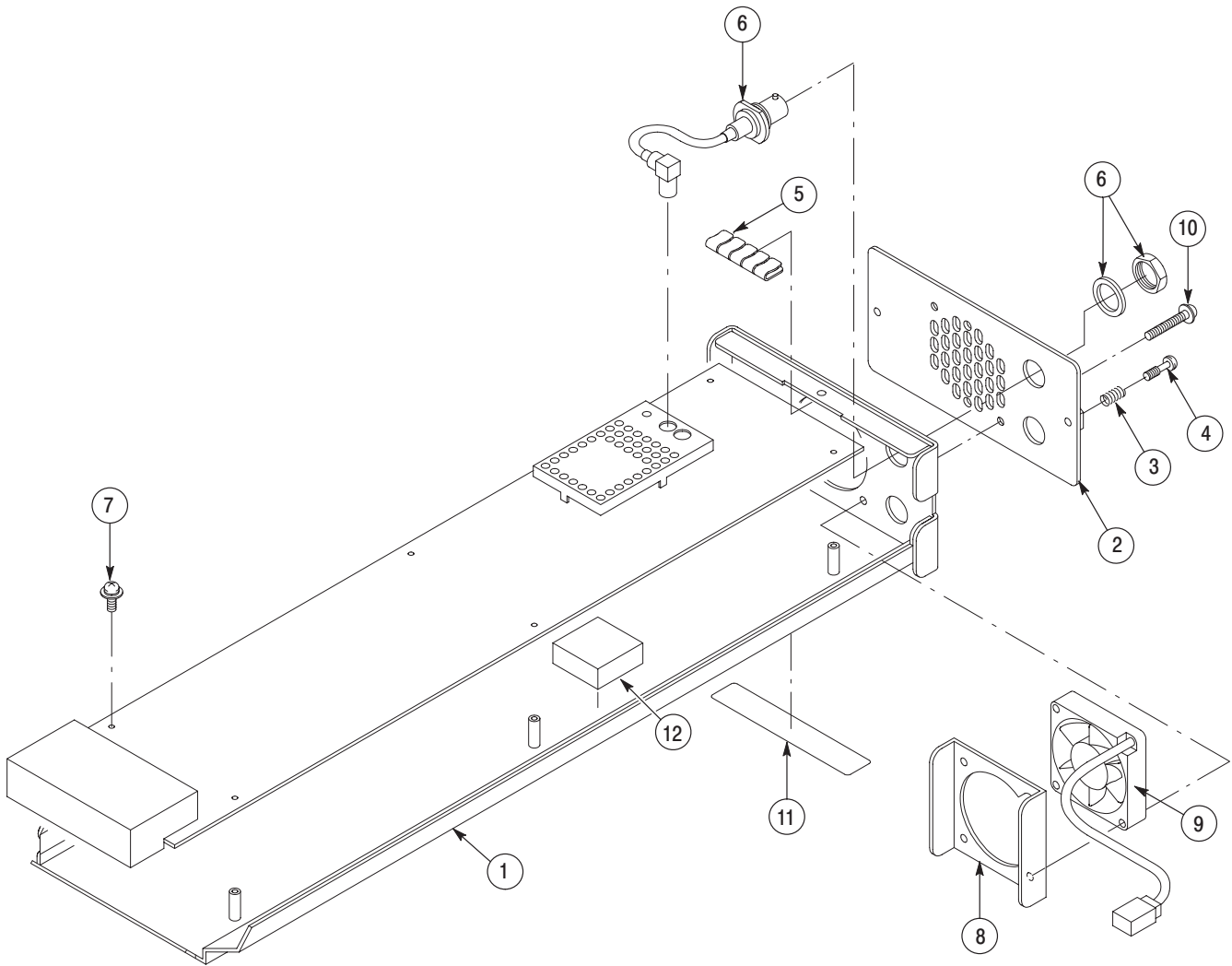


Figure 10-1: HDVG7 Generator module exploded view

